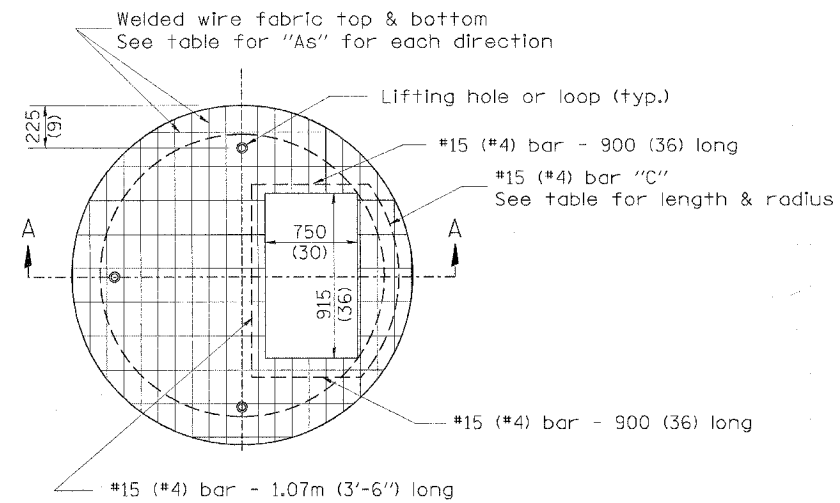
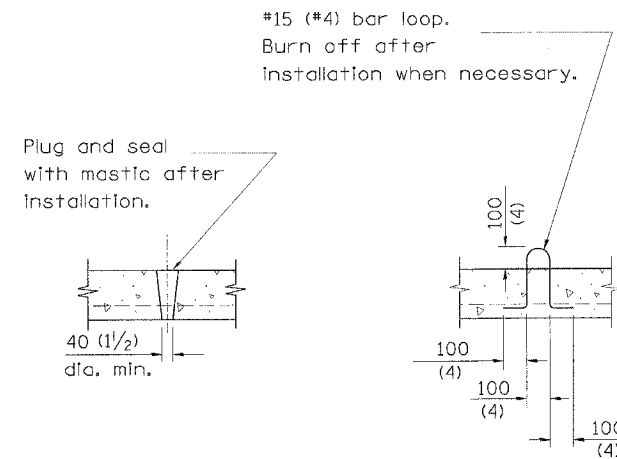


| F.A.P. RTE. | SECTION | COUNTY | TOTAL SHEETS | SHEET NO. |
|---------------------|------------|---------------------------|--------------|-----------|
| 669 | 1W-3,RS-8* | TAEWELL | 442 | 316 |
| STA. | | TO STA. | | |
| FED. ROAD DIST. NO. | | ILLINOIS FED. AID PROJECT | | |

*11BR-1,11BR-2



PLAN

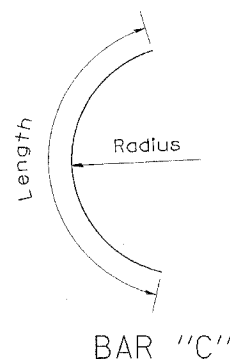


LIFTING HOLE OR LIFTING LOOP
TYPICAL

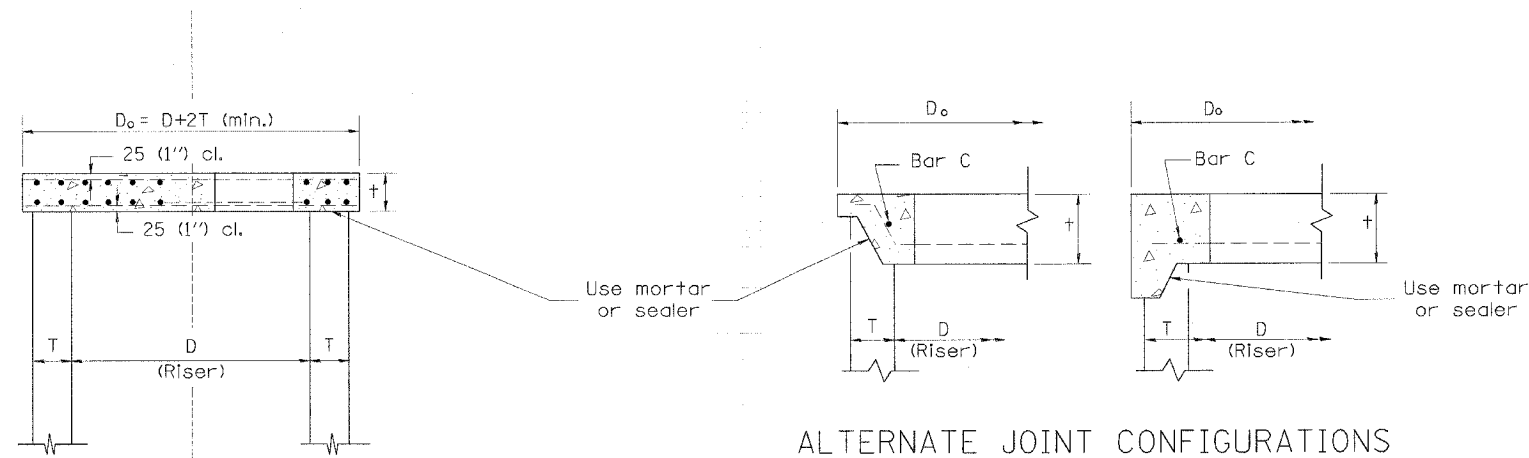
(3 required per slab)

TABLE

| D | T | D _o (min.) | † | Reinforcement "As" W.W.F. each direction | Bar size | No. 15 (No. 4) Bar C | |
|-----------|-------------|-----------------------|----------|-------------------------------------------------|----------------|----------------------|---------------|
| | | | | | | Length | Radius |
| 1.2m (4') | 125 (5) | 1.5m (4'-10") | 150 (6) | 1480mm ² /m (0.70 sq. inch/lin. ft.) | No. 15 (No. 5) | 1.35m (4'-6") | 660 (26) |
| 1.5m (5') | 150 (6) | 1.8m (6'-0") | 200 (8) | 1480mm ² /m (0.70 sq. inch/lin. ft.) | No. 15 (No. 5) | 1.5m (5'-0") | 810 (32) |
| 1.8m (6') | 195 (7 3/4) | 2.2m (7'-3 1/2") | 200 (8) | 1860mm ² /m (0.88 sq. inch/lin. ft.) | No. 20 (No. 6) | 1.8m (6'-0") | 965 (38) |
| 2.4m (8') | 225 (9) | 2.9m (9'-6") | 250 (10) | 1860mm ² /m (0.88 sq. inch/lin. ft.) | No. 20 (No. 6) | 2.3m (7'-6") | 1.27m (4'-2") |



BAR "C"



SECTION A-A

ALTERNATE JOINT CONFIGURATIONS

GENERAL NOTES

1. The precast reinforced concrete flat slab top shall be used with INLET-MANHOLE, TYPE G-1 and INLET-MANHOLE, TYPE G-1, SPECIAL.
2. Joint configuration and dimensions of flat slab top shall match and fit the riser joint detail.
3. Lifting devices shall be approved by the Engineer.

All dimensions are in millimeters (inches) unless otherwise noted.

ILLINOIS DEPARTMENT OF TRANSPORTATION
DISTRICT CADD STANDARD

PRECAST REINFORCED CONCRETE
FLAT SLAB TOP FOR
INLET-MANHOLE, TYPE G-1 AND
TYPE G-1, SPECIAL

CADD STANDARD 602101-D4

SCALE NOT TO SCALE

DATE **DATE**

DRAWN BY CADD
CHECKED BY

| DATE | REVISIONS | BY |
|--------|---------------------------------|------|
| 1-1-97 | RENUM. B-4.07, NEW REVISION BOX | T.P. |
| | | |
| | | |
| | | |
| | | |

DESIGNER NOTES:
1. Include this standard with Type G-1 and Type G-1, Special Inlet-Manholes.
2. The flat slab top is included in the cost of INLET-MANHOLE as per District Special Provision.

\$\$\$DATE\$\$\$