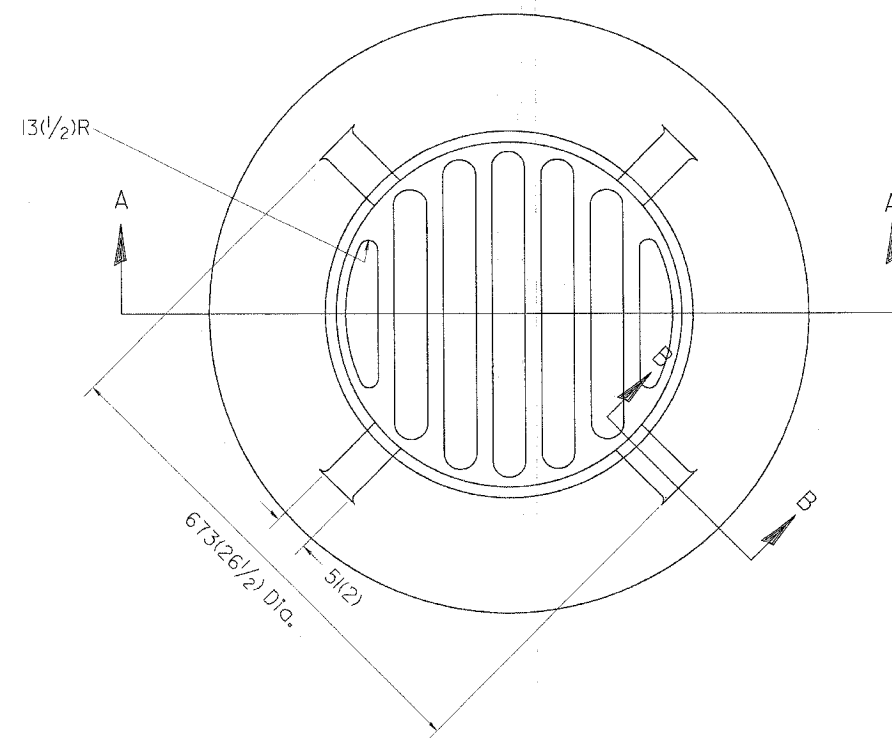
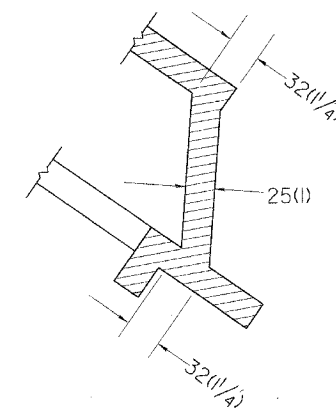


F.A.P. RTE.	SECTION	COUNTY	TOTAL SHEETS	SHEET NO.
669	11W-3,RS-8,*	TAZEWELL	442	319
STA.		TO STA.		
FED. ROAD DIST. NO.	ILLINOIS	FED. AID PROJECT		

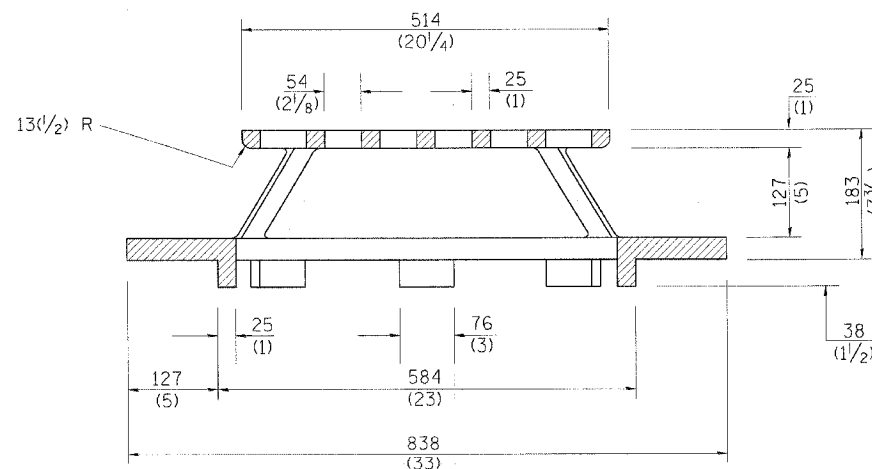
*11BR-1,11BR-2



PLAN



SECTION B - B



SECTION A - A

GENERAL NOTES

- MATERIAL - Cast Gray Iron
Weight 95 kg (209 lbs)

All dimensions are in millimeters (Inches) unless otherwise noted.

ILLINOIS DEPARTMENT OF TRANSPORTATION
DISTRICT CADD STANDARD

TYPE 37 GRATE

CADD STANDARD 604301-D4

SCALE NOT TO SCALE
DATE **DATE**
DRAWN BY CADD
CHECKED BY

DATE	REVISIONS	BY
1-1-97	RENUM. B-10.02, NEW REVISION BOX	T.P.

DESIGNER NOTE:
1. INCLUDE DISTRICT SPECIAL PROVISION.

\$\$\$DATE\$\$\$