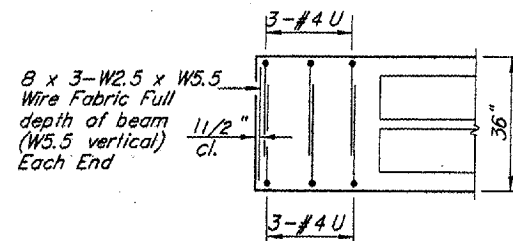
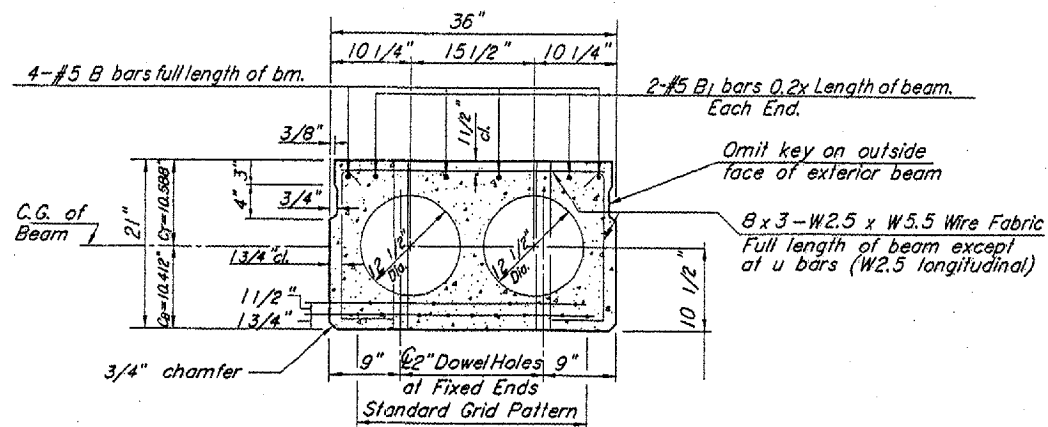


U BARS



FIXED END REINFORCEMENT
(21" x 36" BEAMS)



1/2" Ø 270 K. S. I. STRANDS
21" x 36" BEAMS

Span #1	Place 6 Strands	1 3/4" up	f'ci = 4,000
	4 Strands	3 1/4" up	f'ci = 4,000
Span #2	Place 6 Strands	1 3/4" up	f'ci = 4,000
	4 Strands	3 1/4" up	f'ci = 4,000
Span #3	Place 7 Strands	1 3/4" up	f'ci = 4,000

Place strands symmetrically about C.G. Beam
Each strand stressed to 30,900 Lbs.

SPAN #1, BILL OF MATERIAL
(For One P.P.C. Deck Beam Only)

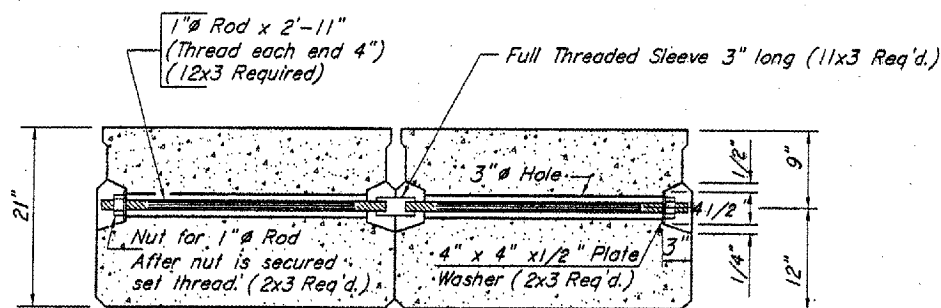
Bar	No. Per Bm.	Size	Length (Span#1)	Shape
B	4	#5	43'-2"	—
B ₁	4	#5	8'-9"	—
U	12	#4	6'-2"	□

SPAN #2, BILL OF MATERIAL
(For One P.P.C. Deck Beam Only)

Bar	No. Per Bm.	Size	Length (Span#1)	Shape
B	4	#5	43'-7"	—
B ₁	4	#5	8'-10"	—
U	12	#4	6'-2"	□

SPAN #3, BILL OF MATERIAL
(For One P.P.C. Deck Beam Only)

Bar	No. Per Bm.	Size	Length (Span#1)	Shape
B	4	#5	36'-7"	—
B ₁	4	#5	7'-5"	—
U	12	#4	6'-2"	□



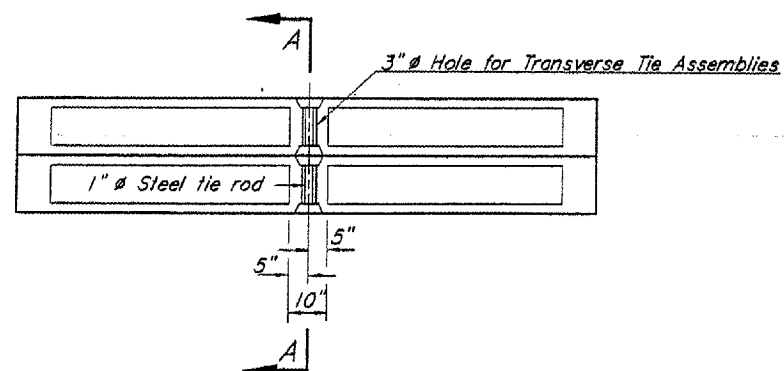
SECTION A - A

BEAM PROPERTIES

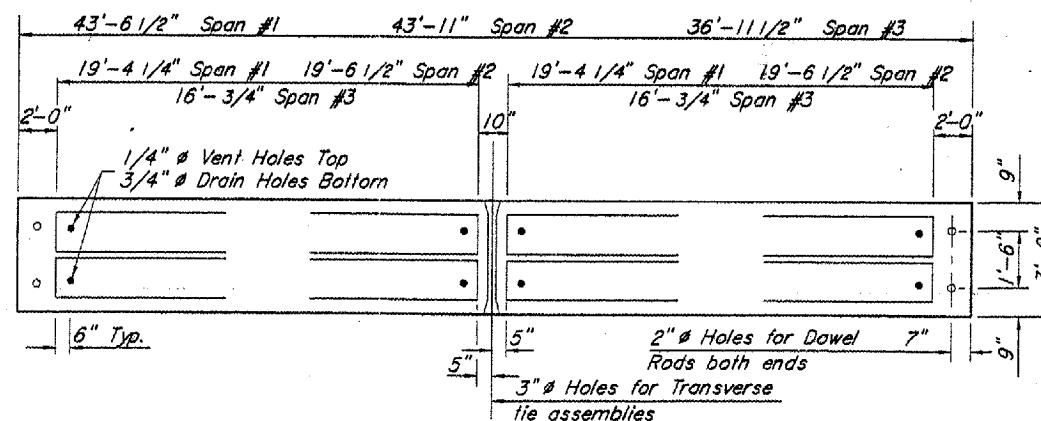
	21" X 36" Bm.
Gross Sectional Area	502.45 in ²
Weight per Lin. Foot	550 Lbs.
Moment of Inertia	24,965 in ⁴
Section Modulus S _B	2397.8 in ³
Section Modulus S _T	2357.8 in ³

21" X 36" Beams

	No. Req'd	Length	Sq. Ft.
Span # 1	12	43'-6 1/2"	1567.5
Span # 2	12	43'-11"	1581.0
Span # 3	12	36'-11 1/2"	1330.5
		Total	4479.0



PARTIAL PLAN



21" x 36" BEAM
(12 Req'd. Span 1)
(12 Req'd. Span 2)
(12 Req'd. Span 3)

NOTES

- * See "GENERAL NOTES" Sheet 7 of 29
- * See sheet Sheet 16 for casting inserts for guardrail at exterior beams.
- * See Sheet 10 for Lifting Loops and Bearing Details.

PRECAST BEAMS