

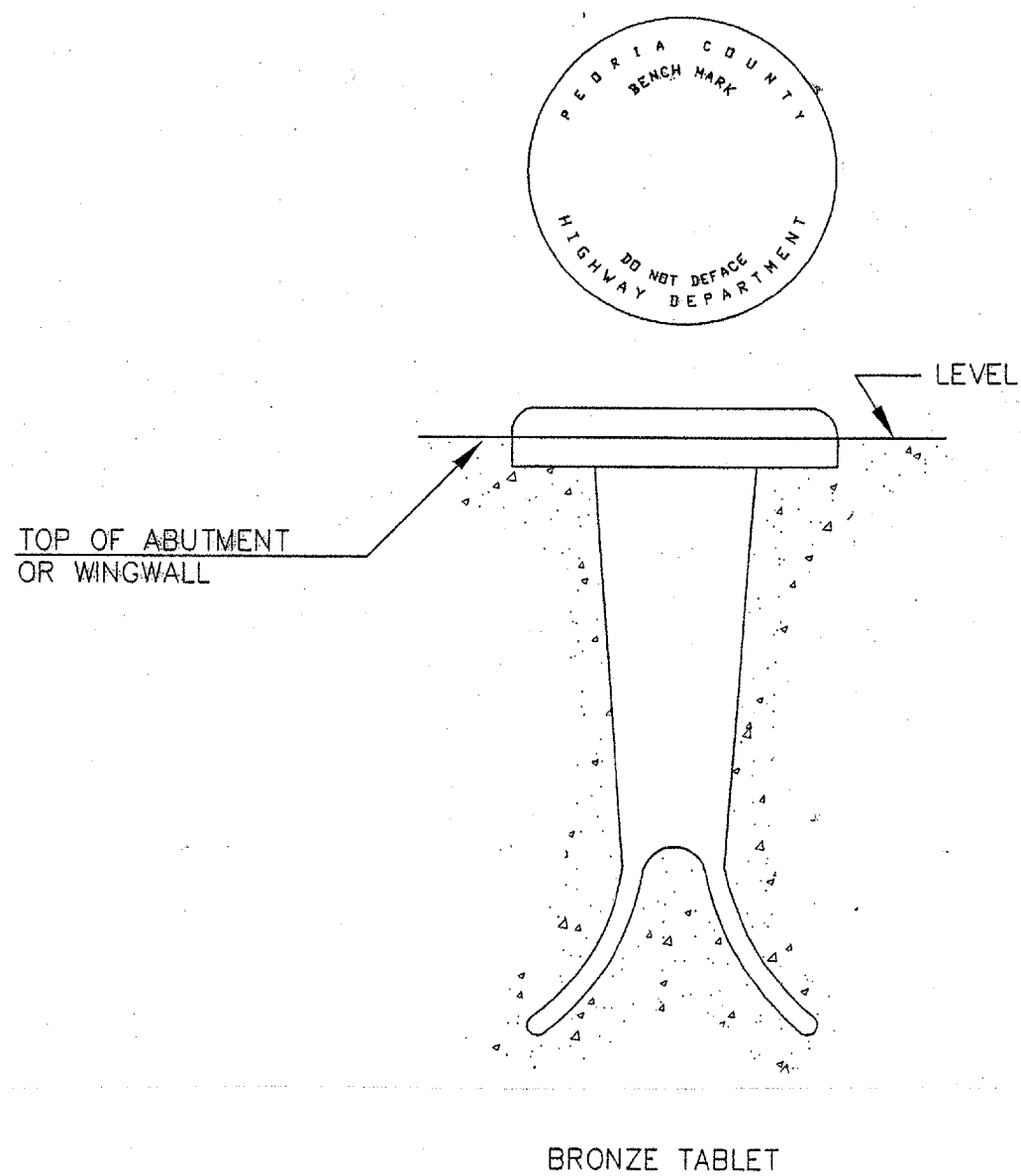
PEORIA COUNTY HIGHWAY DEPARTMENT BENCH MARK

The Bench Mark shall be installed at the Northwest corner of the proposed bridge or box culvert in accordance with the details shown below. In general, the bench mark will be placed in a level area in the abutment of the bridge or wingwall of the box culvert so as to be readily accessible.

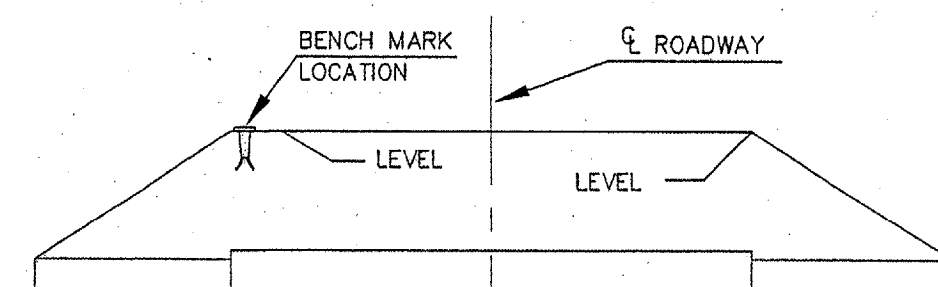
The bench mark shall be placed under the direction of the Engineer and shall be installed in a workmanlike manner.

The elevation shall be permanently marked by the use of metal dies after the bench mark has been installed. The elevation will be based on U.S.G.S. datum.

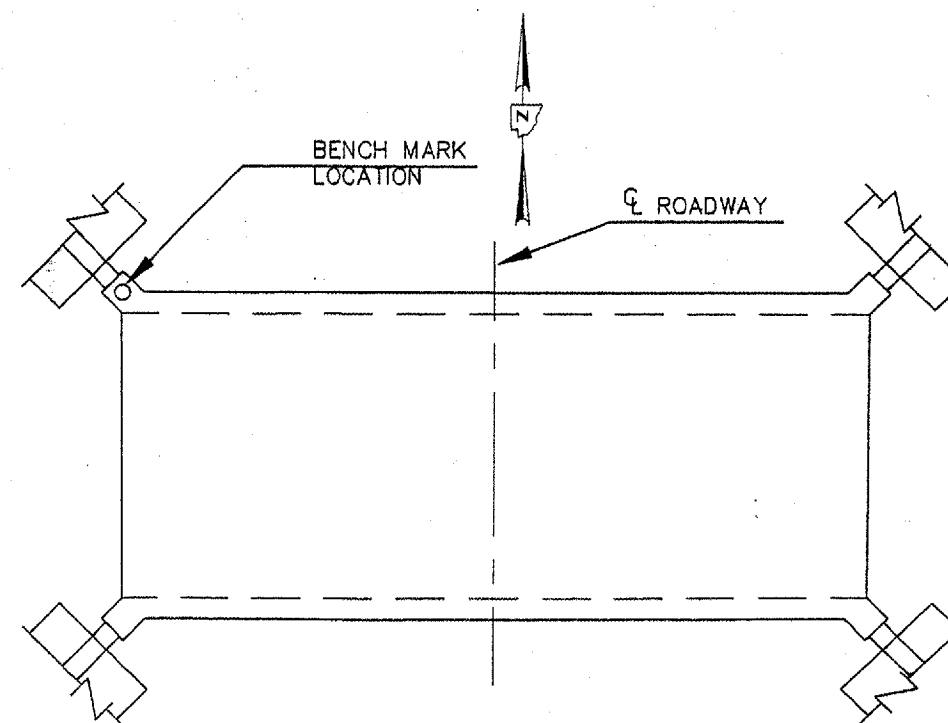
The bronze tablet, to be installed as the bench mark, shall be furnished by the Peoria County Highway Department.



BRONZE TABLET



TYPICAL BRIDGE LOCATION



TYPICAL BOX CULVERT LOCATION