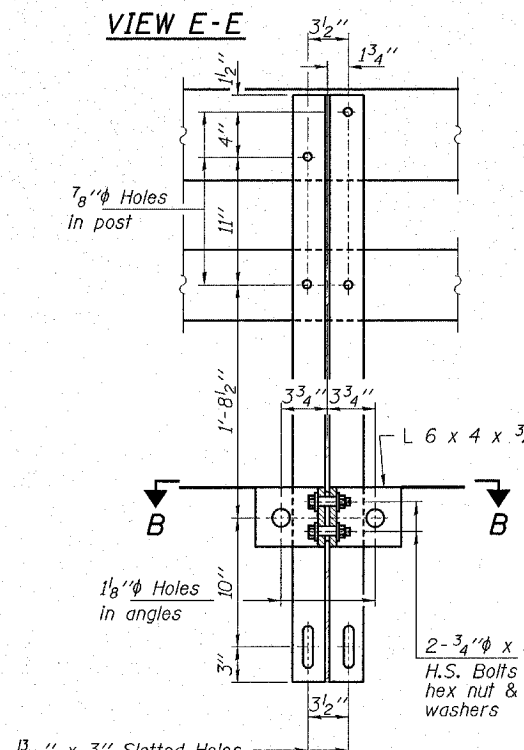
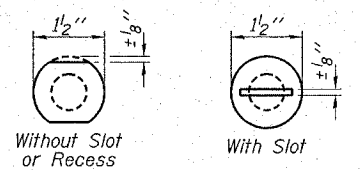
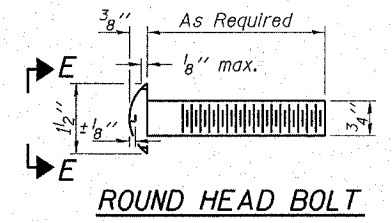
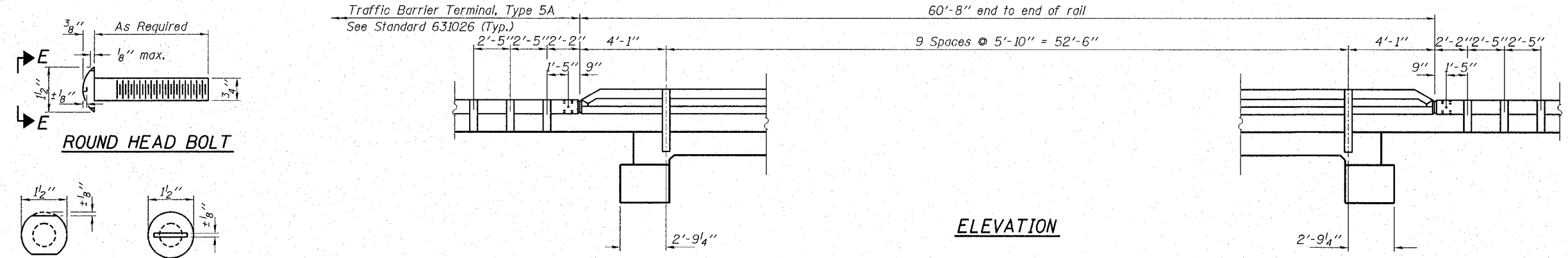


ROUTE NO.	SECTION	COUNTY	TOTAL SHEETS	SHEET NO.
C.H. 7	03-00016-00-BR	TAZEWELL	23	19
FED. ROAD DIST. NO.	ILLINOIS	FED. AID PROJECT-		

CONTRACT NO. 89296



SECTION A-A

4- 3/4" φ x 6" Round Head Bolts (With slot or approved recess in head) with locknut & flat washer. 7/8" φ Holes in hollow structural section may be drilled in the field.

W6x25 4'-2" long

1 3/16" x 5 1/2" Slotted Hole in post

1 3/16" φ holes in angles

2- 1" φ x 7 3/4" AASHTO M-164 Anchor Bolts with flat washer & lockwasher

2- 3/4" φ x 3 1/4" H.S. Bolts with hex nut & flat washers

2- 5/8" φ x 5 3/4" Cap Screws with flat washer.

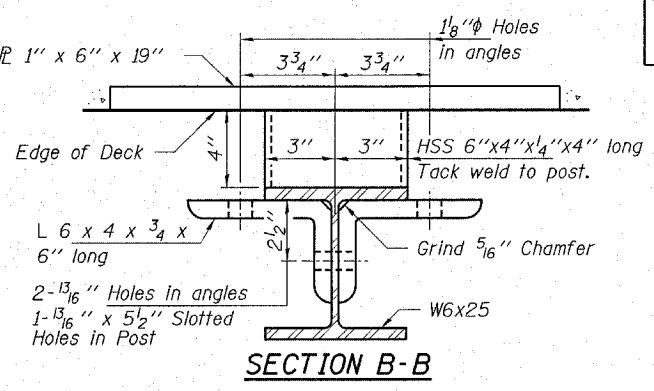
1 3/16" x 3" Slotted Holes

Locknut

1 1/8" x 2 1/2" Slotted Holes in hollow structural section

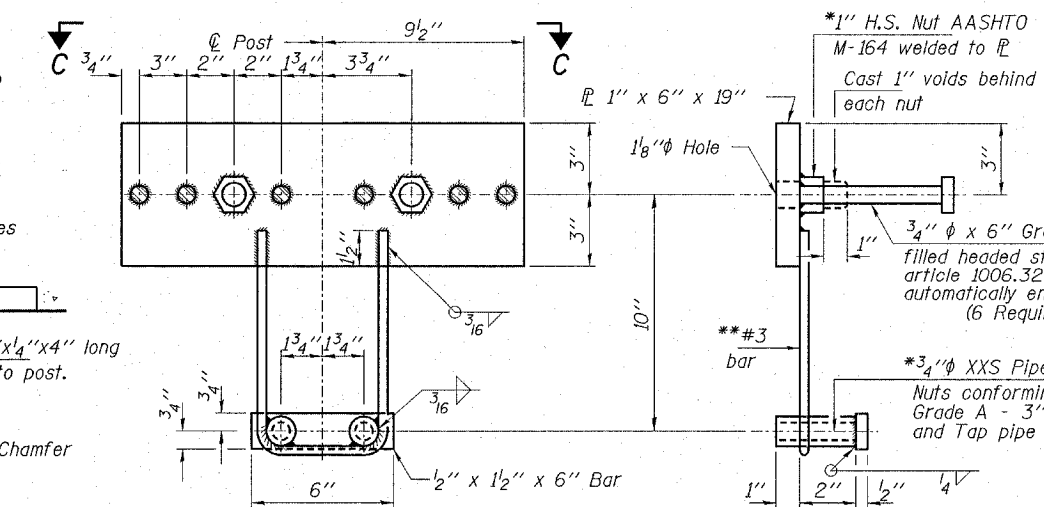
5/8" φ x 1 3/4" Cap Screw with flat washer & 3/4" φ X pipe spacer, 1/2" long

RAIL SPLICE CONNECTION AT EXPANSION JT.



SECTION B-B

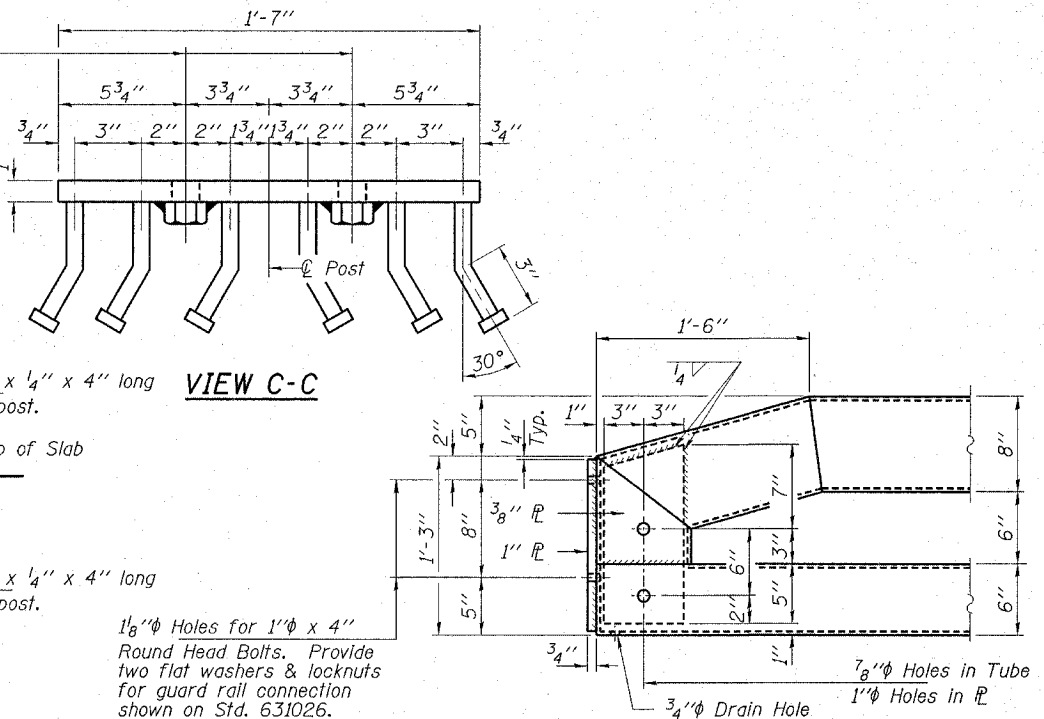
Reinforcement bars in the top of the deck may be placed with a 1/2" minimum clearance in the area of the rail post anchor devices. The studs of the anchor devices shall be placed below the top reinforcement bars and the outermost longitudinal reinforcement bar shall be placed directly above the studs of the rail post anchor device.



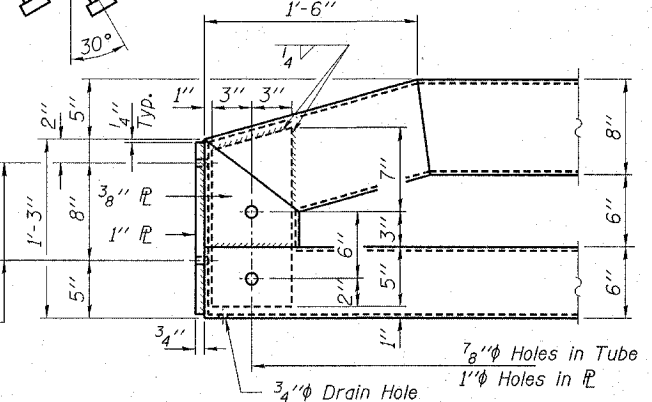
SECTION AT RAIL POST

ANCHOR DEVICE

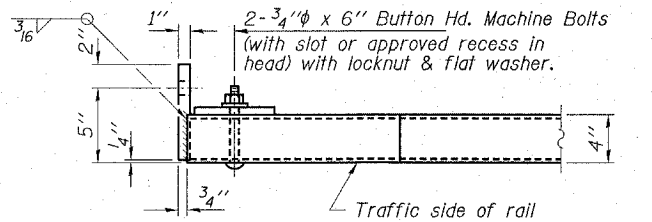
* Threaded areas shall be plugged or blocked off during casting of beam. Galvanized after fabrication.



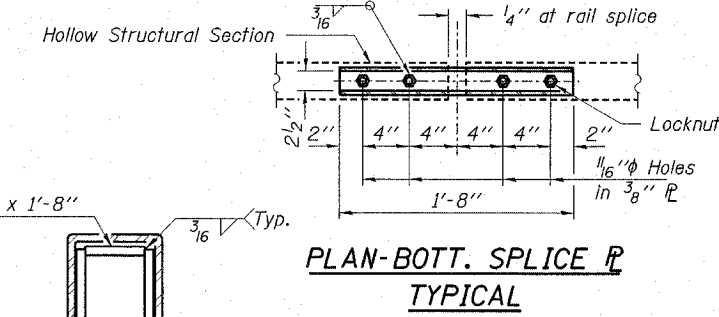
VIEW C-C



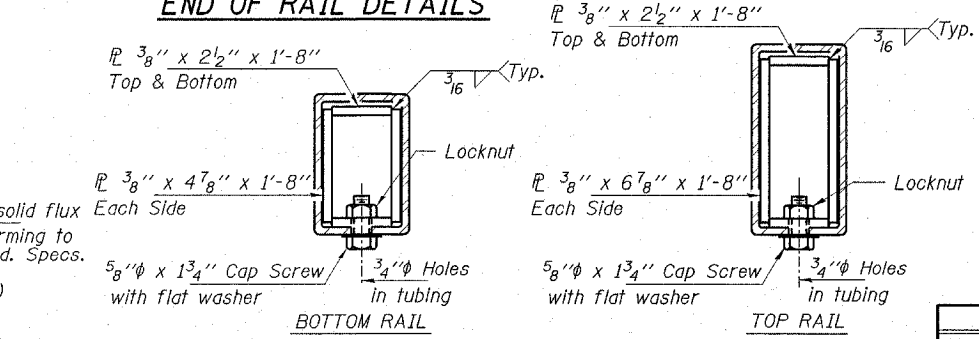
END OF RAIL DETAILS



SECTION AT RAIL SPLICE



PLAN-BOTT. SPLICE TYPICAL



BILL OF MATERIAL

Item	Unit	Quantity
Steel Bridge Rail, Type SM	Foot	122

HLR
 Rice, Berry and Associates
 A Division of Hampton, Lenzini and Renwick, Inc.
 Civil & Structural Engineers
 3085 Stevenson Drive
 Suite 201
 Springfield, Illinois 62703
 217-546-3400
 Account Number 12-91-0014-1
 Date: 03/22/06
 P.O. Box 1036
 DuQuoin, Illinois 62832
 618-790-4637
 DESIGNED: S.M.S. CHECKED: S.W.M. DRAWN: D.B.

RAILING DETAILS
 C.H. 7 / TOWNLIN ROAD
 SECTION 03-00016-00-BR
 TAZEWELL COUNTY
 STR. NO. 090-3237 STATION 10+75