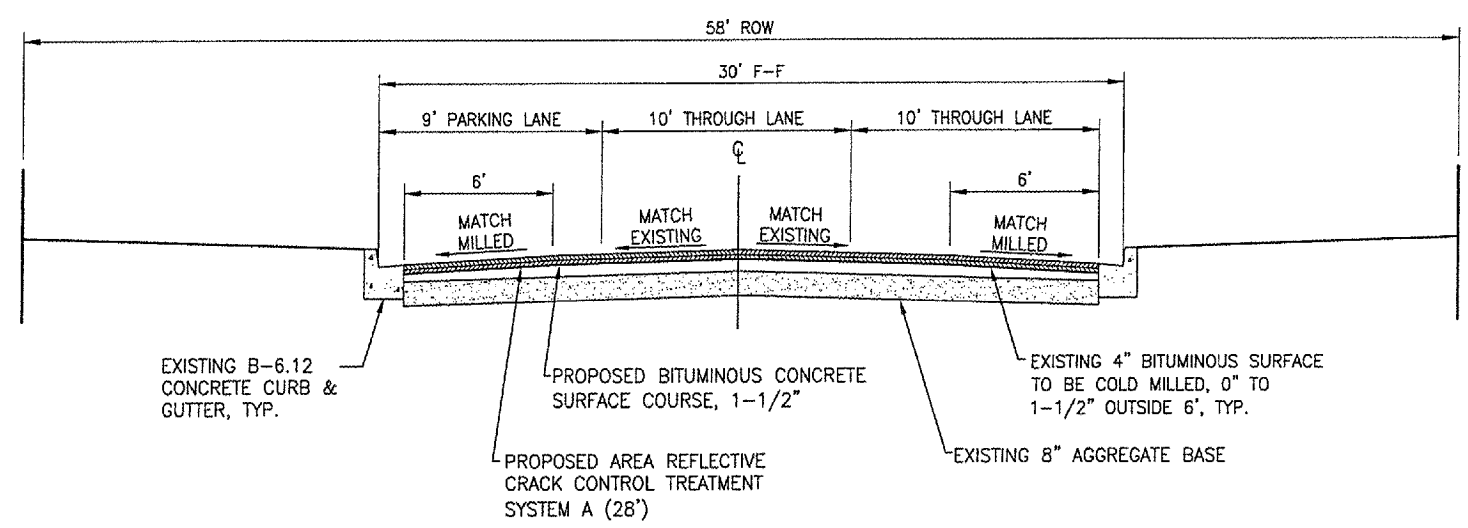
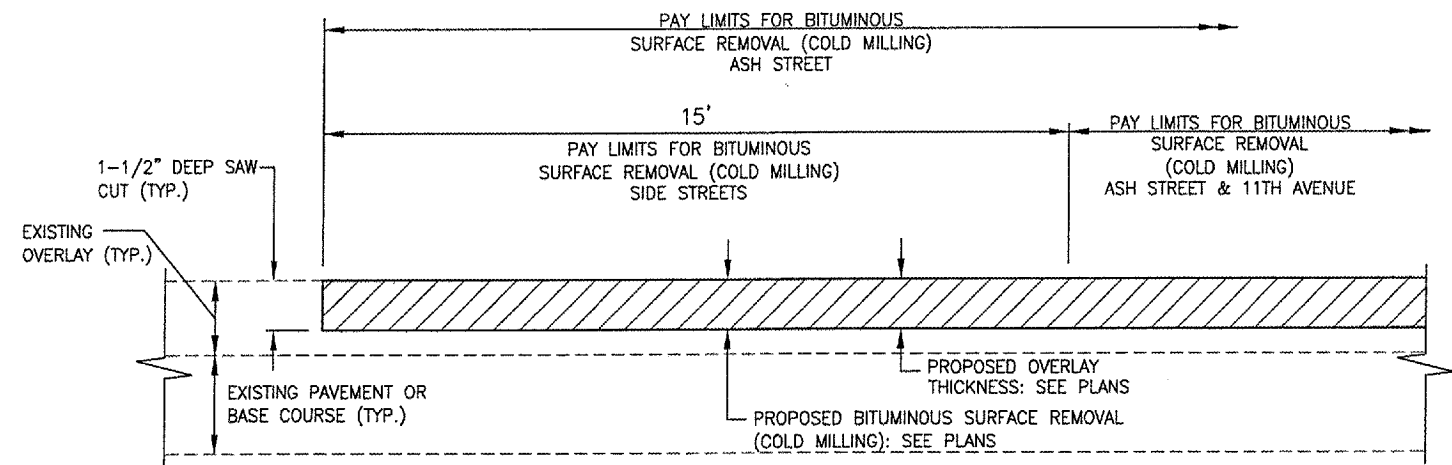


April 12, 2006
 C:\234\0205\06013A\Canton Ash St. & 11th Ave. (Phase II) Plan, Eng. Sta. 06-00000-01-RS\Construction Plans\3-Typical Sections-11th.dwg

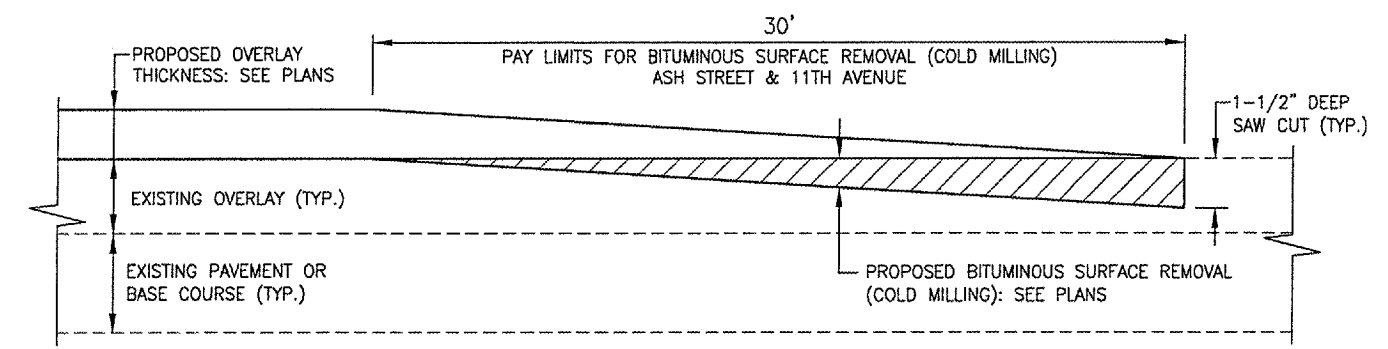
F.A.U. RTE.	SECTION	COUNTY	TOTAL SHEETS	SHEET NO.
04-00093-00-RS		FULTON	11	3
* FAU 6883 & 6904			CONTRACT NO. 89379	



TYPICAL SECTION NO. 1
 11TH AVENUE
 STA. 0+00 TO STA. 12+82



**BUTT JOINT DETAIL ON MAINLINE ASH STREET
 AT WEST END OF PROJECT AND AT ALL SIDE STREETS**



**BUTT JOINT DETAIL ON MAINLINE ASH STREET AT
 EAST END OF PROJECT AND 11TH AVENUE AT SOUTH END OF PROJECT**

- GENERAL NOTES:**
1. THE WORK SHALL BE DONE IN ACCORDANCE WITH ARTICLE 406.18 AND THE SPECIAL PROVISION FOR BITUMINOUS SURFACE REMOVAL (COLD MILLING).
 2. THE SAW CUT JOINTS SHALL BE PRIMED JUST PRIOR TO THE PLACING OF BITUMINOUS MATERIALS. THE WORK WILL BE IN ACCORDANCE WITH THE APPLICABLE PORTIONS OF ARTICLE 406.06.

		1670 EAST ASH STREET CANTON, ILLINOIS 61520 PH. (309) 647-7831 FAX (309) 647-6155
TYPICAL SECTIONS & DETAILS		
FOR: CITY OF CANTON, ILLINOIS		
REVISIONS	DATE	PROJECT NO.
	04/14/06	234-06013A
	DESIGNED CJE	DRAWING NO.
	CHECKED GBM	1
	DRAWN JAM	SHEET 2 OF 2
FIELD BK.	CHECKED GBM	