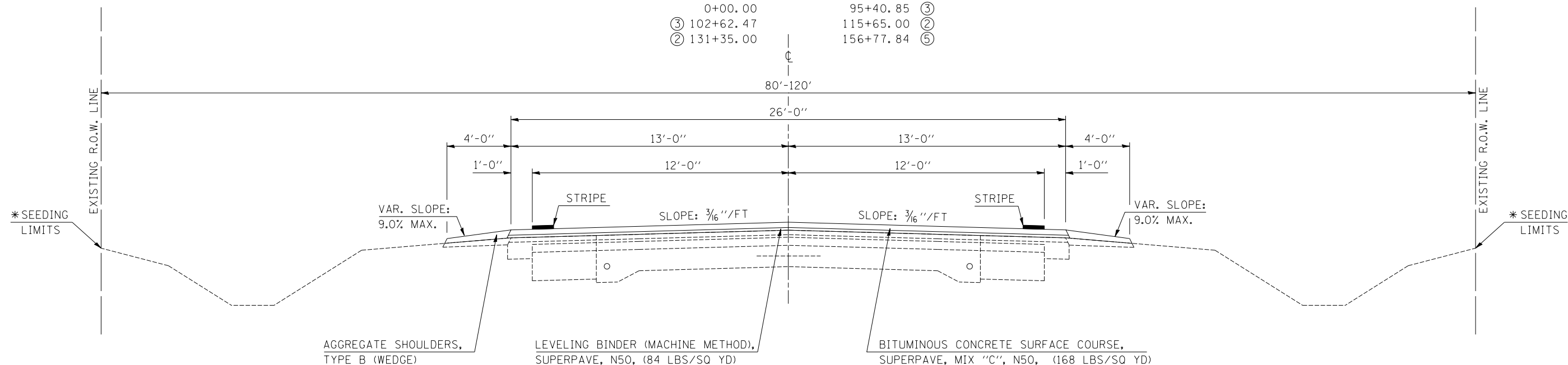


F.A.P. RTE.	SECTION	COUNTY	TOTAL SHEETS	SHEET NO.
709	*	**	72	12

* 113(RS-5, BR) & 114RS-2
 ** CHAMPAIGN & VERMILION
 CONTRACT NO. 90864

1 PROPOSED TYPICAL CROSS SECTION

STATION	TO	STATION
423+35.00		620+56.50
0+00.00		95+40.85 ③
③ 102+62.47		115+65.00 ②
② 131+35.00		156+77.84 ⑤

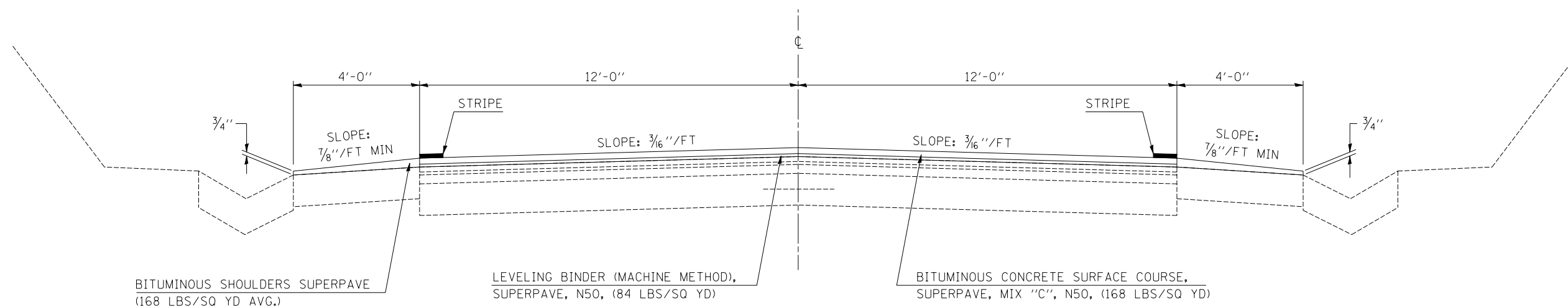


* SEE CROSS-SECTIONS & APPROPRIATE DESIGN DETAILS FOR AREAS TO BE SEEDED

NOTE:
 CHAMPAIGN/VERMILION COUNTY LINE STATION 56+28
 (STATION EQUATION : STATION 620+56.5 = 0+00.00)
 (OMISSIONS : STATION 67+84.00 TO STATION 70+76.00)

2 PROPOSED TYPICAL CROSS SECTION

STATION	TO	STATION
① 115+65.00		131+35.00 ①



NOTE:
 (OMISSION: STATION 121+00 TO STATION 126+00)