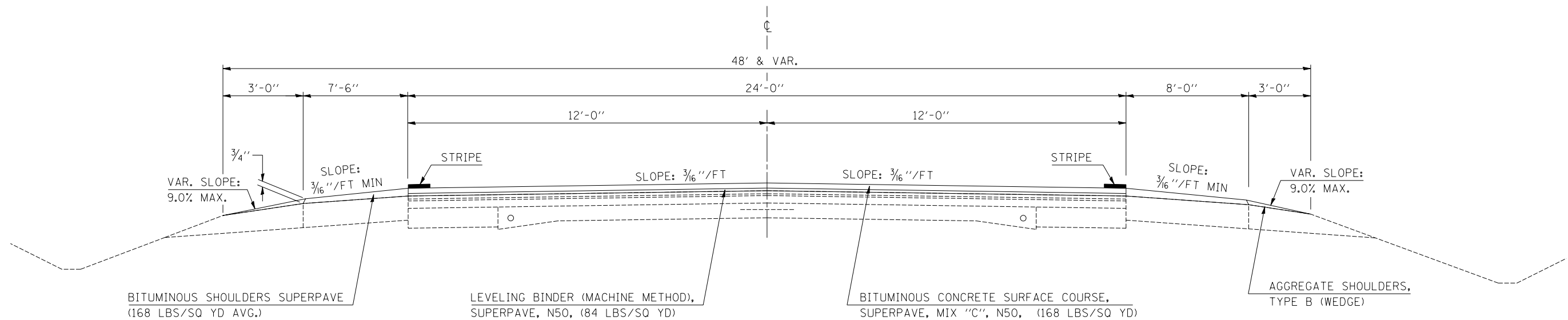


F.A.P. RTE.	SECTION	COUNTY	TOTAL SHEETS	SHEET NO.
709	*	**	72	13

* 113(RS-5, BR) & 114RS-2
 ** CHAMPAIGN & VERMILION
 CONTRACT NO. 90864

3 PROPOSED TYPICAL CROSS SECTION

STATION	TO	STATION
① 95+40.85		98+42.52 ④
④ 99+57.35		102+62.47 ①



4 PROPOSED TYPICAL CROSS SECTION

STATION	TO	STATION
③ 98+42.52		99+57.35 ③

