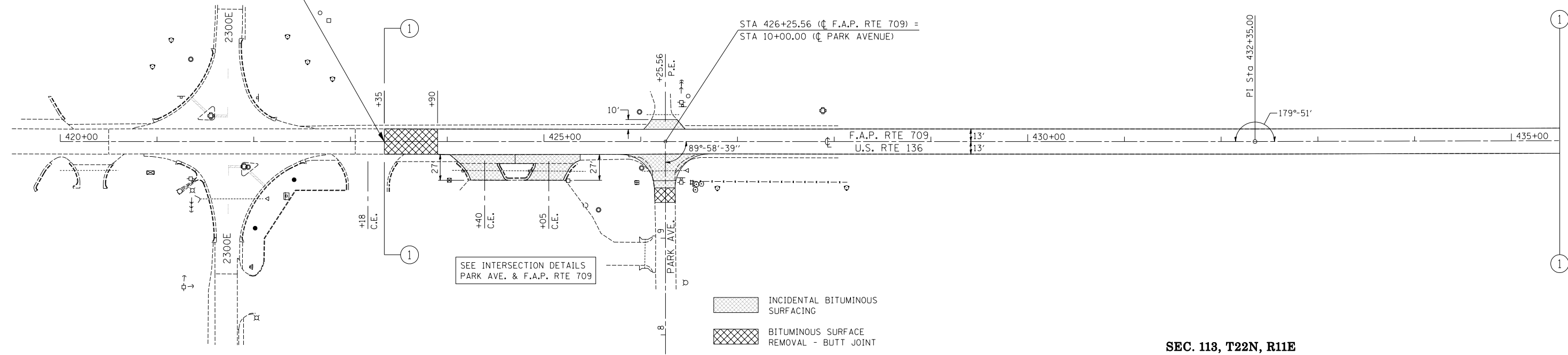


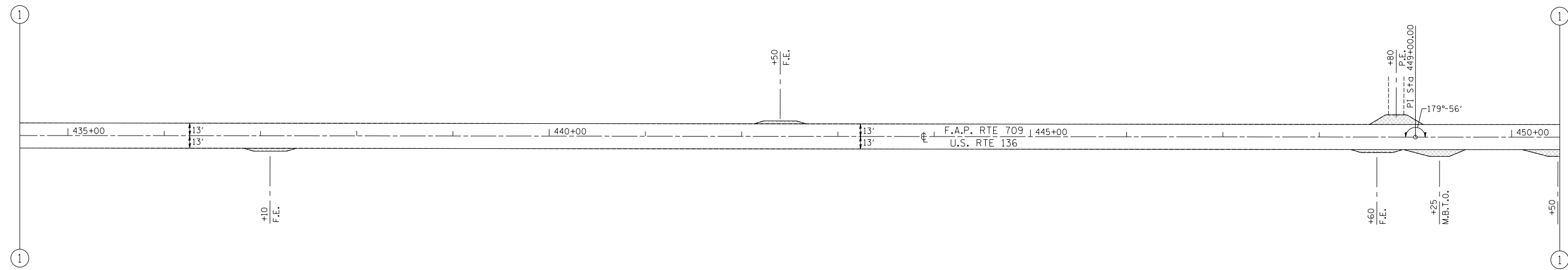
F.A.P. RTE.	SECTION	COUNTY	TOTAL SHEETS	SHEET NO.
709	*	**	72	29
STA. 423+00		TO STA. 450+00		
FED. ROAD DIST. NO.	ILLINOIS	FED. AID PROJECT		
* 113(RS-5, BR) & 114RS-2 ** CHAMPAIGN & VERMILION CONTRACT NO. 90864				



SECTION 113(RS-5, BR) & 114RS-2
BEGINS STATION 423+35.00



SEC. 113, T22N, R11E



SEC. 113, T22N, R11E

