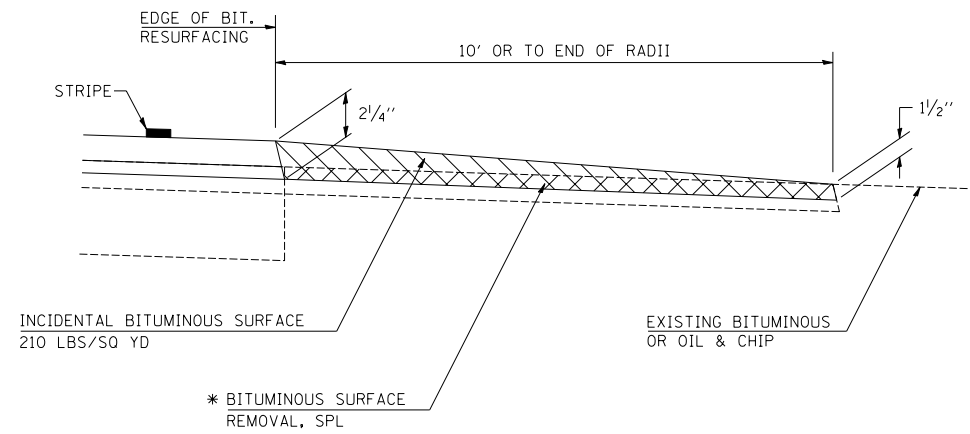


F.A.P. RTE.	SECTION	COUNTY	TOTAL SHEETS	SHEET NO.
709	*	**	72	52

### PRIVATE ENTRANCE, COMMERCIAL ENTRANCE, OR SIDEROAD

(BITUMINOUS OR OIL & CHIP)

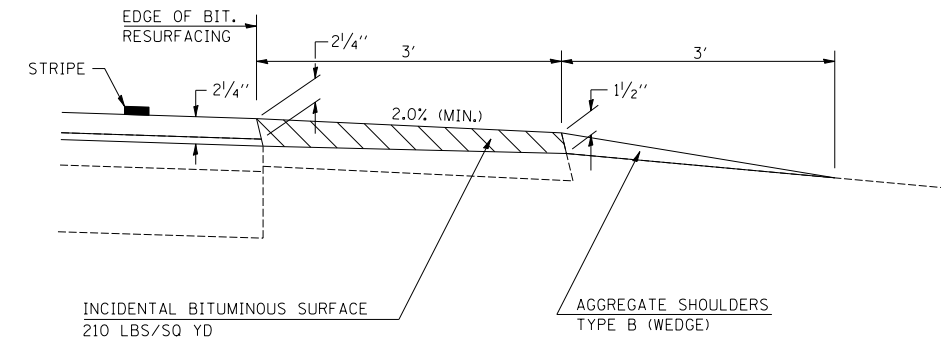


\* SEE SCHEDULE OF QUANTITIES FOR LOCATIONS

NOTES: THE INCIDENTAL BITUMINOUS SURFACING IS INTENDED TO RESURFACE THE EXISTING ENTRANCES IN THEIR ENTIRETY. THE EXISTING SIDEROADS SHOULD BE RESURFACED TO MAINTAIN THEIR CURRENT RADII UNLESS OTHERWISE SHOWN IN PLANS.

### FIELD ENTRANCE

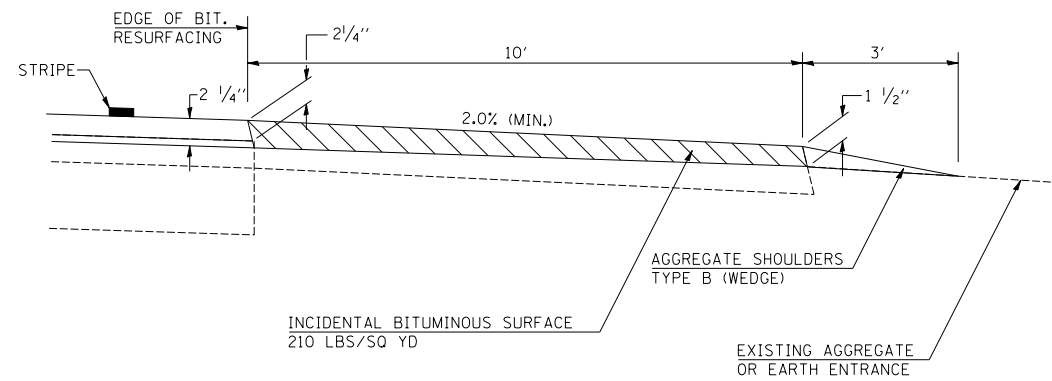
(BITUMINOUS OR OIL & CHIP)



NOTES: THE INCIDENTAL BITUMINOUS SURFACING IS INTENDED TO RESURFACE THE EXISTING ENTRANCES IN THEIR ENTIRETY UNLESS OTHERWISE SHOWN IN PLANS.

### PRIVATE OR COMMERCIAL ENTRANCE

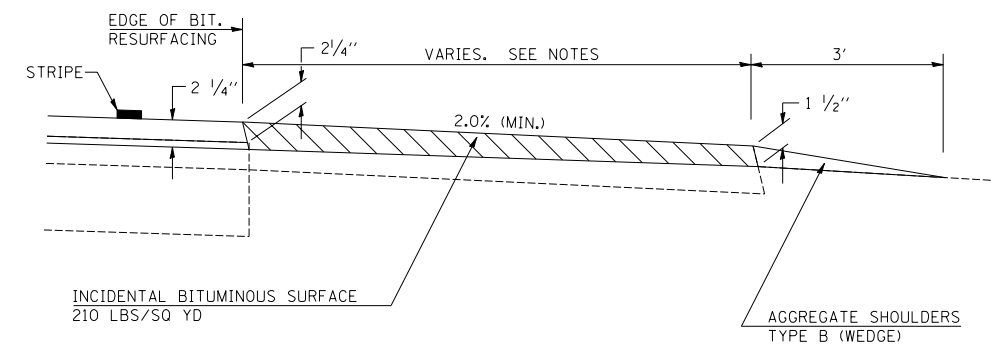
(AGGREGATE OR EARTH)



NOTES: THE INCIDENTAL BITUMINOUS SURFACING IS INTENDED TO RESURFACE THE EXISTING ENTRANCES IN THEIR ENTIRETY UNLESS OTHERWISE SHOWN IN PLANS.

### MAILBOX TURNOUTS

(BITUMINOUS OR OIL & CHIP)



NOTES: THE INCIDENTAL BITUMINOUS SURFACING IS INTENDED TO RESURFACE THE EXISTING MAILBOX TURNOUTS IN THEIR ENTIRETY UNLESS OTHERWISE SHOWN IN PLANS.