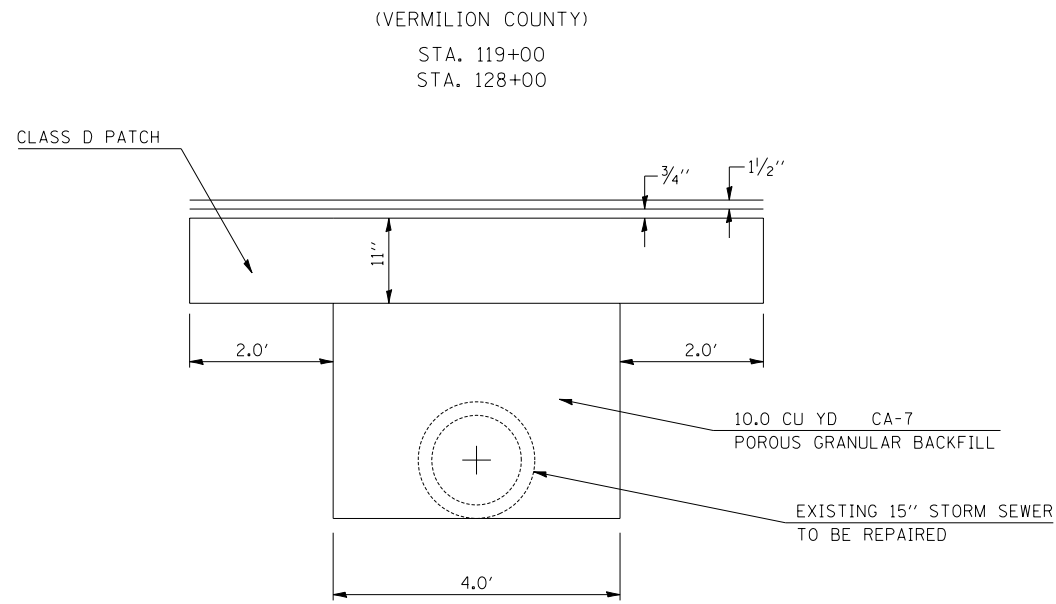


F.A.P. RTE.	SECTION	COUNTY	TOTAL SHEETS	SHEET NO.
709	*	**	72	53

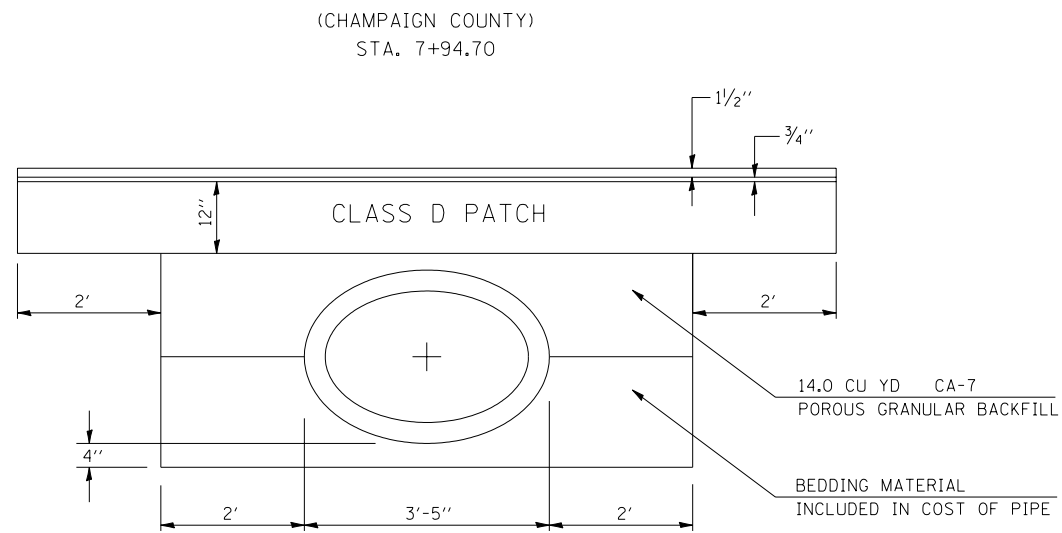
* 113(RS-5, BR) & 114RS-2
 ** CHAMPAIGN & VERMILION
 CONTRACT NO. 90864

POROUS GRANULAR BACKFILL DETAIL & STORM SEWER REPAIR



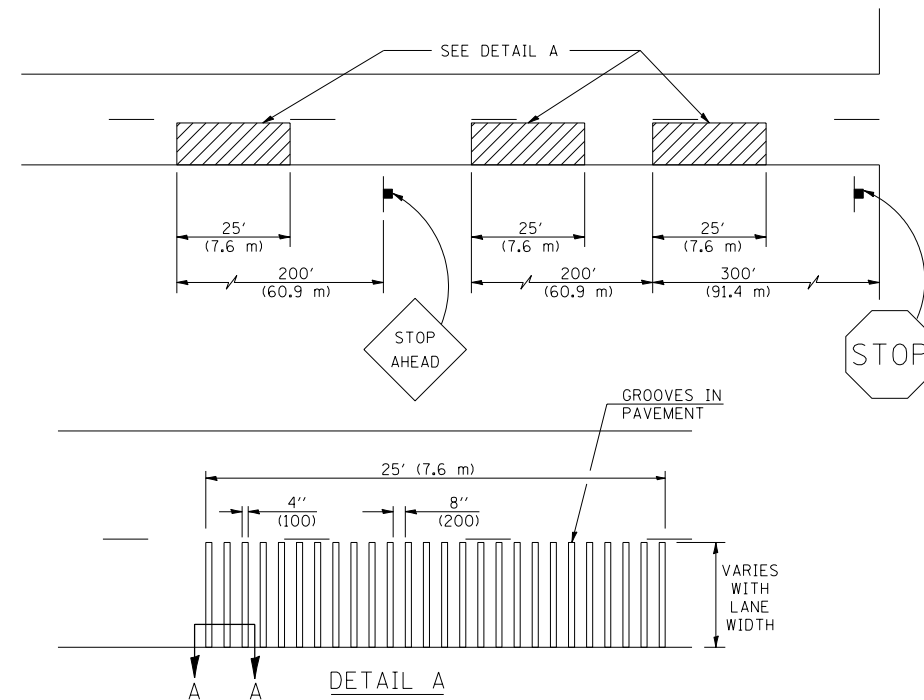
(10.0 SQ FT x 30 FT)/27 CU FT = 11.0 CU YD/STATION
 TOTAL = 22.0 CU YD

POROUS GRANULAR BACKFILL DETAIL



(14.0 SQ FT x 26 FT)/27 CU FT = 14.0 CU YD

TYPICAL RUMBLE STRIP APPLICATION IN ADVANCE OF AN INTERSECTION



GENERAL NOTES

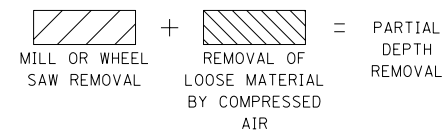
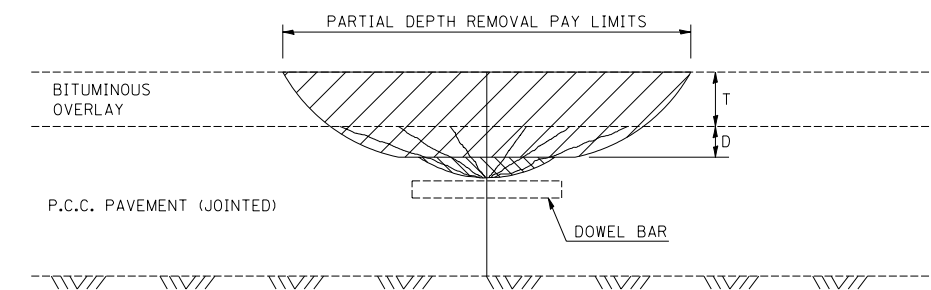
1. ALL GROOVES SHALL BE CONSTRUCTED USING A 4" (100 mm) MILLING HEAD OR SERIES OF 4" (100 mm) MILLING HEADS CAPABLE OF CUTTING TO THE SPECIFIED DEPTH OR ANY VARIABLE DEPTH.
2. THIS WORK WILL BE MEASURED FOR PAYMENT PER EACH 25' (7.6 m) INDIVIDUAL RUMBLE STRIP APPLIED AND PAID FOR AT THE CONTRACT UNIT PRICE EACH FOR RUMBLE STRIP, WHICH PRICE SHALL INCLUDE ALL EQUIPMENT, MATERIAL, LABOR AND OTHER ITEMS REQUIRED TO INSTALL EACH INDIVIDUAL RUMBLE STRIP.

DESIGNED	NAME	DATE	REVISIONS	DATE
T.J.B.	T.J.B.	11/00	NAME	
CHECKED			K.A.G.	06/03
CADD NO.	C-2.12			

ALL DIMENSIONS ARE IN INCHES (MILLIMETERS) UNLESS OTHERWISE SHOWN.

PAVEMENT PATCHING (PARTIAL DEPTH)

(PREVIOUSLY RESURFACED JOINTED P.C.C. PAVEMENT)



GENERAL NOTES

- ALL VOLUME OF REMOVAL LIMITS TO BE REPLACED WITH BITUMINOUS MIXTURE FOR PATCHING.
- T = THICKNESS OF BITUMINOUS OVERLAY(S). SEE TYPICAL CROSS SECTIONS.
- D = DEPTH OF MACHINE REMOVAL INTO EXISTING P.C.C. PAVEMENT (3" (75 mm) ± OR TO SOUND CONCRETE).
- JOINT LOCATION SHOWN - OTHER LOCATIONS SIMILAR.

DESIGNED	NAME	DATE	REVISIONS	DATE
D.L.P.	D.L.P.	2/99	NAME	
CHECKED	J.M.S.	2/99	D.L.P.	03/99
CADD NO.	C-5.01		K.A.G.	06/03

ALL DIMENSIONS ARE IN INCHES (MILLIMETERS) UNLESS OTHERWISE SHOWN.