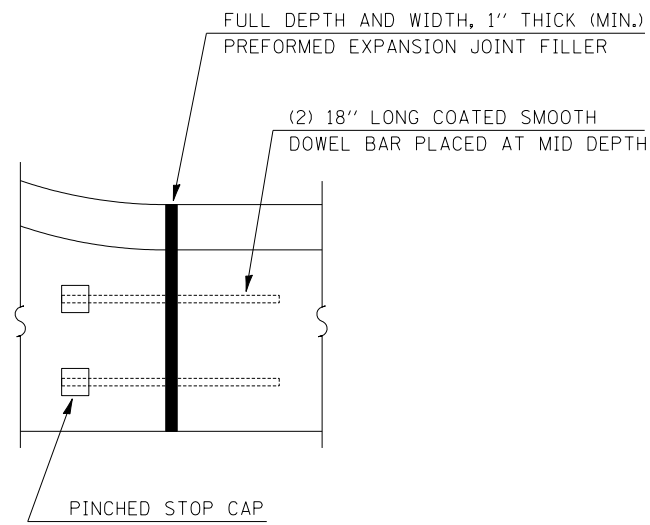


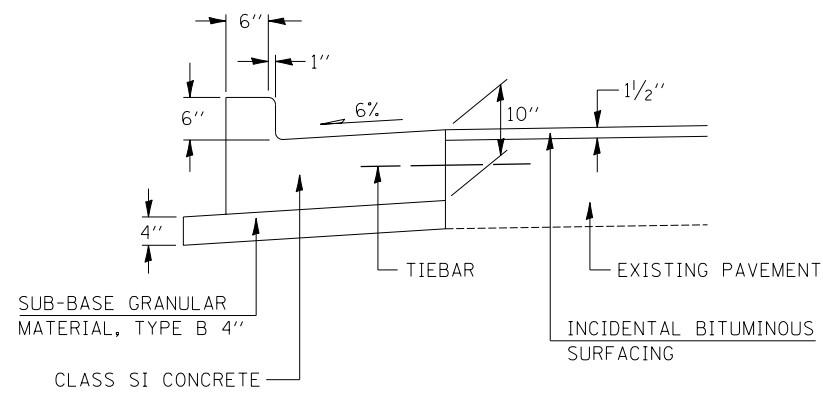
F.A.P. RTE.	SECTION	COUNTY	TOTAL SHEETS	SHEET NO.
709	*	**	72	54

\* 113(RS-5, BR) & 114RS-2  
 \*\* CHAMPAIGN & VERMILION  
 CONTRACT NO. 90864

### DETAIL OF OUTLET (SPECIAL)

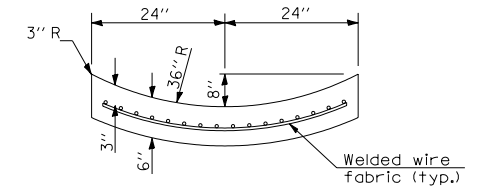
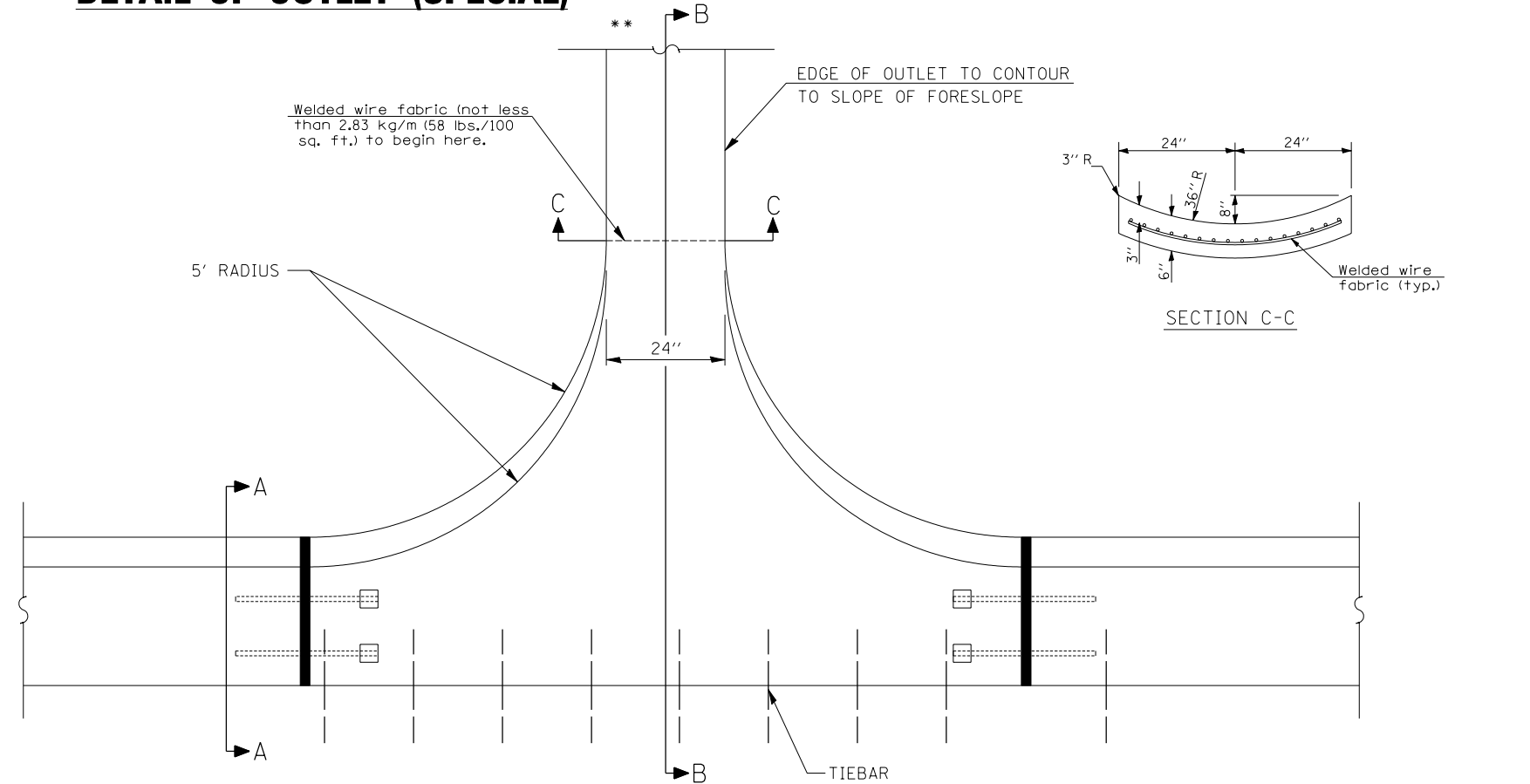


DETAIL OF EXPANSION JOINT

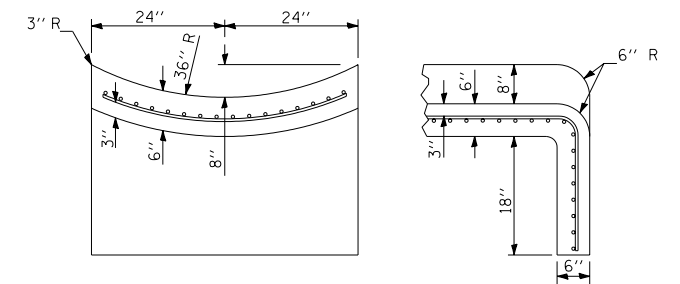


SECTION A-A

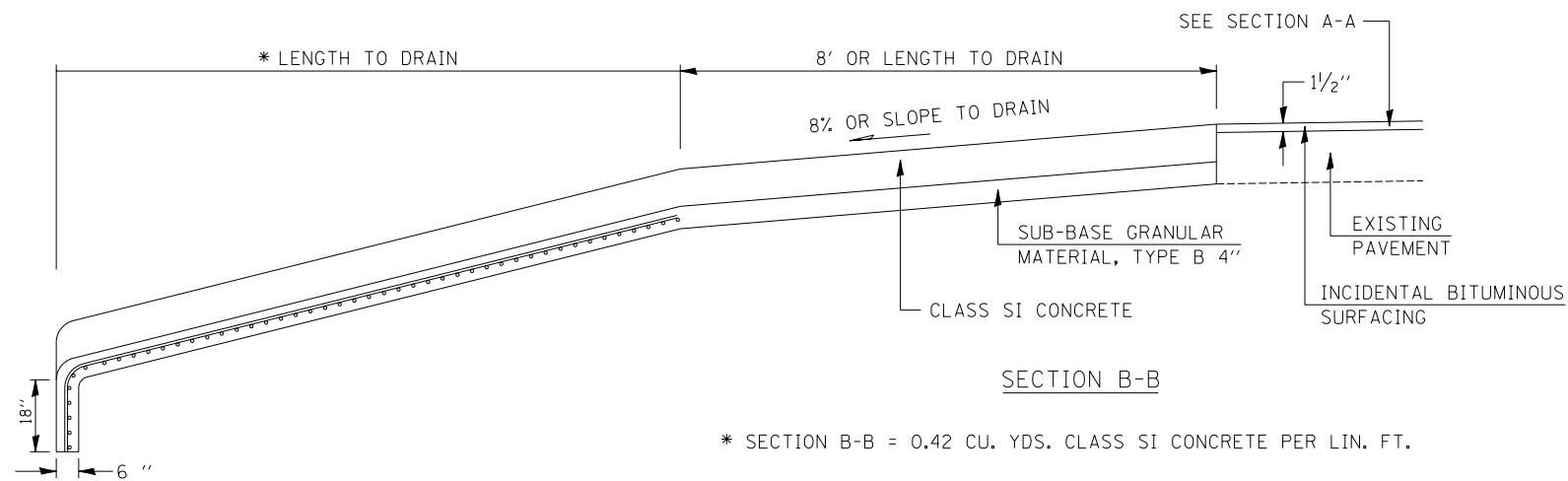
WHEN t=8" V=1.21 CU. YDS. CLASS SI CONCRETE + B-B
WHEN t=9" V=1.27 CU. YDS. CLASS SI CONCRETE + B-B
WHEN t=10" V=1.33 CU. YDS. CLASS SI CONCRETE + B-B
WHEN t=11" V=1.38 CU. YDS. CLASS SI CONCRETE + B-B



SECTION C-C



\*\* SECTIONS AT END OF OUTLET



SECTION B-B

#### GENERAL NOTES

1. CLASS SI CONCRETE SHALL BE USED THROUGHOUT.
2. TIE BARS SHALL BE NO. 6 AT 24" CENTERS UNLESS OTHERWISE SHOWN.
3. OUTLET (SPECIAL) SHALL BE TIED TO PAVEMENT IN ACCORDANCE WITH DETAILS FOR LONGITUDINAL CONSTRUCTION JOINTS SHOWN ON STANDARD 420001.
4. THIS WORK SHALL BE PAID FOR AT THE CONTRACT UNIT PRICE PER EACH FOR OUTLET (SPECIAL) WHICH PRICE SHALL INCLUDE ALL LABOR AND MATERIAL AS SPECIFIED AND NO ADDITIONAL COMPENSATION SHALL BE ALLOWED.