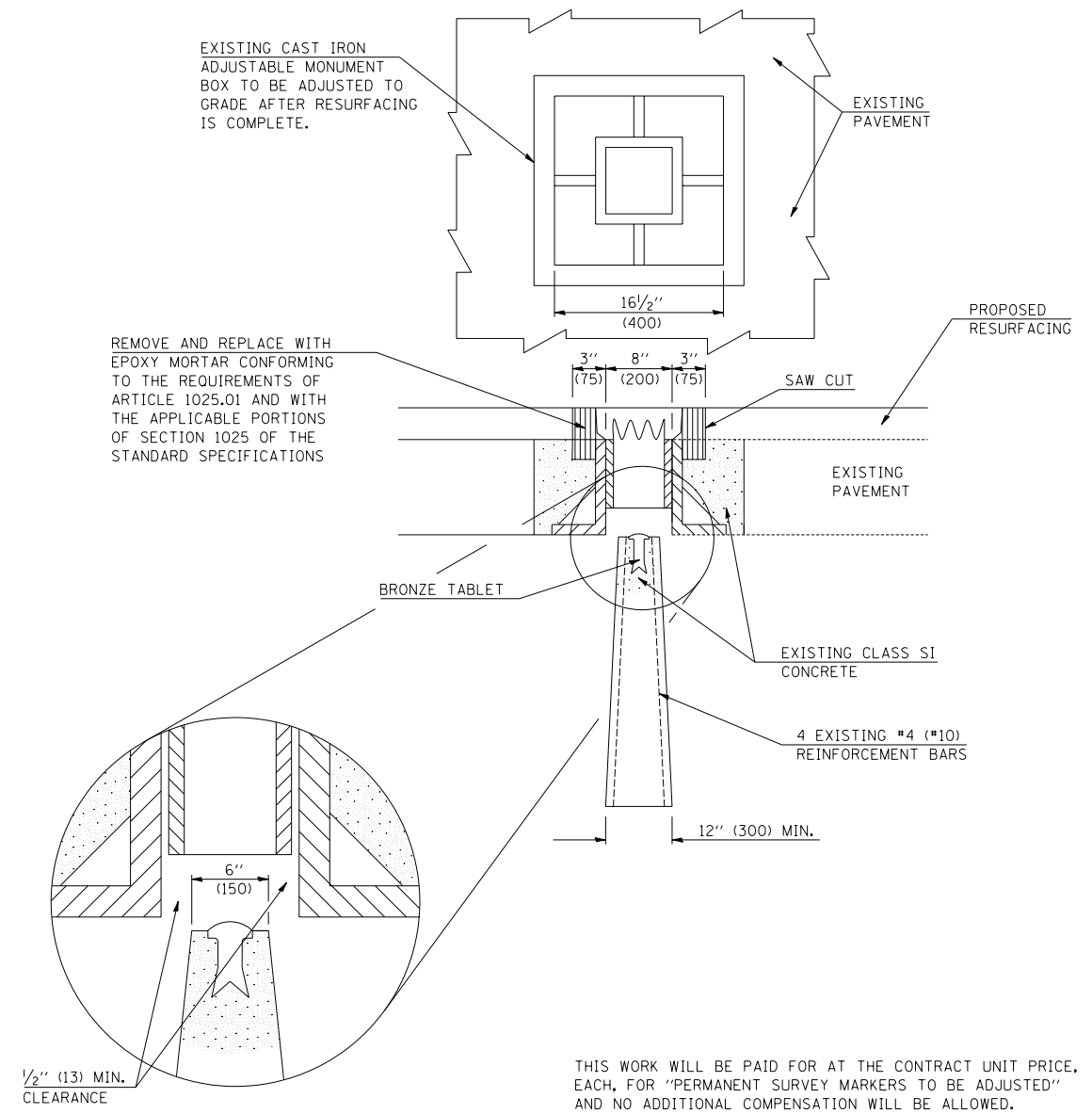


F.A.P. RTE.	SECTION	COUNTY	TOTAL SHEETS	SHEET NO.
709	*	**	72	56

* 113(RS-5, BR) & 114RS-2
 ** CHAMPAIGN & VERMILION
 CONTRACT NO. 90864

66700110 – PERMANENT SURVEY MARKERS TO BE ADJUSTED

TO BE INSTALLED FOR PRESERVING EXISTING CAST IRON PERMANENT SURVEY MARKERS, TYPE III



THIS WORK WILL BE PAID FOR AT THE CONTRACT UNIT PRICE, EACH, FOR "PERMANENT SURVEY MARKERS TO BE ADJUSTED" AND NO ADDITIONAL COMPENSATION WILL BE ALLOWED.

	NAME	DATE	REVISIONS	
DESIGNED	Pr.A.T.	1994	NAME	DATE
CHECKED	D.L.P.	12-95	D.L.P.	12-95
CADD NO.	D-1.06		K.A.G.	08-04

ALL DIMENSIONS ARE IN INCHES (MILLIMETERS) UNLESS OTHERWISE SHOWN.