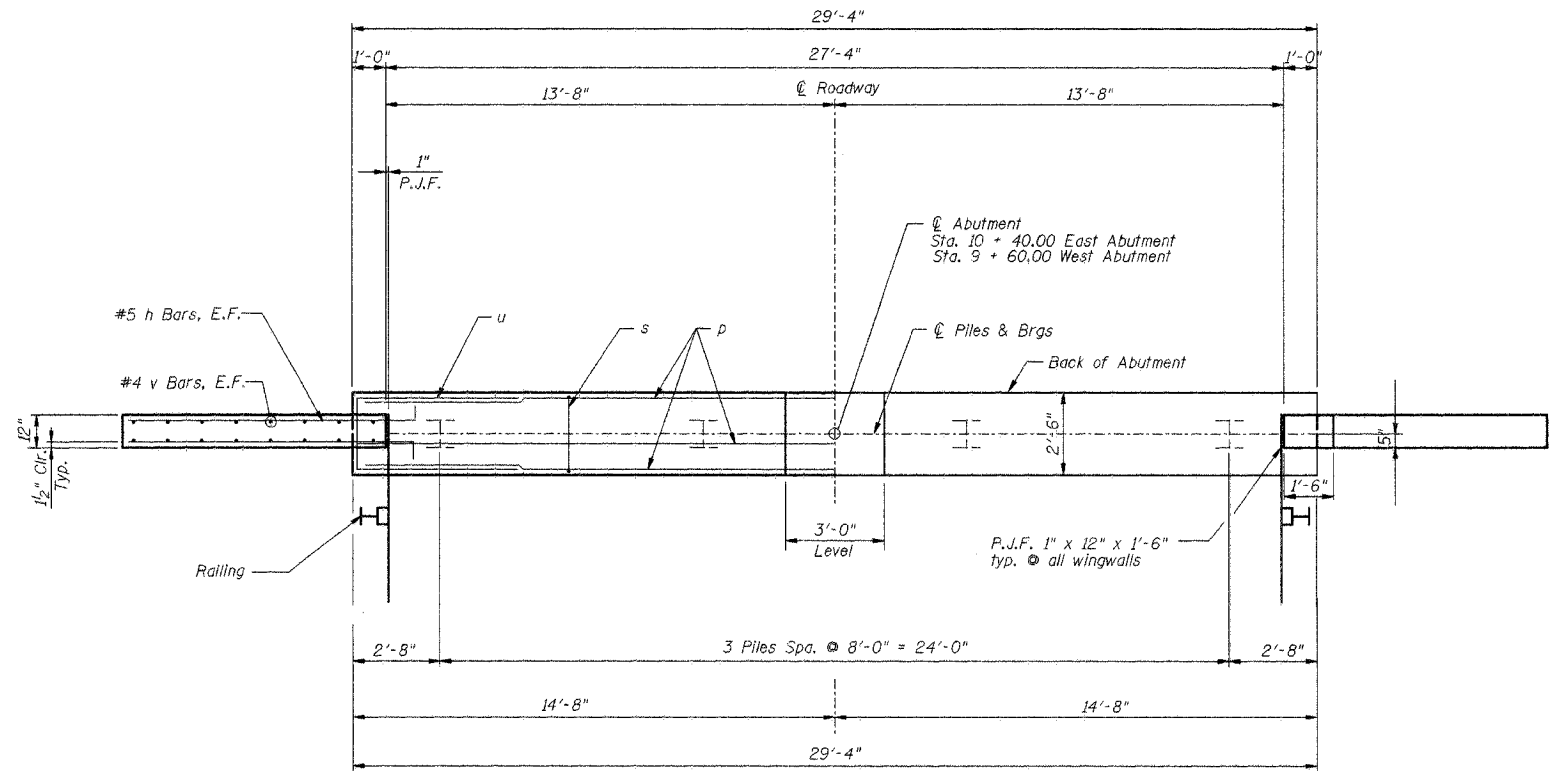
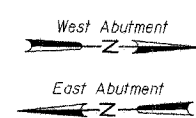


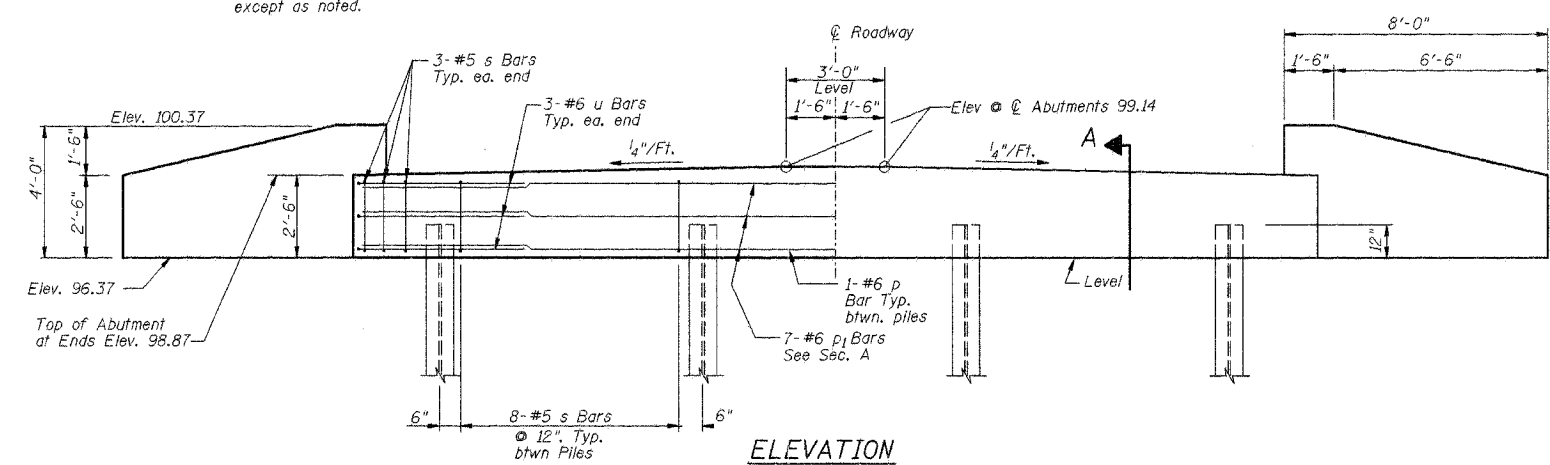
ROUTE NO.	SECTION	COUNTY	SHEET	TOTAL
TR 43	*	PIATT	11	5
FED. ROAD DIST. NO. 7		ILLINOIS	FED. AID PROJECT	
*04-04124-00-BR				



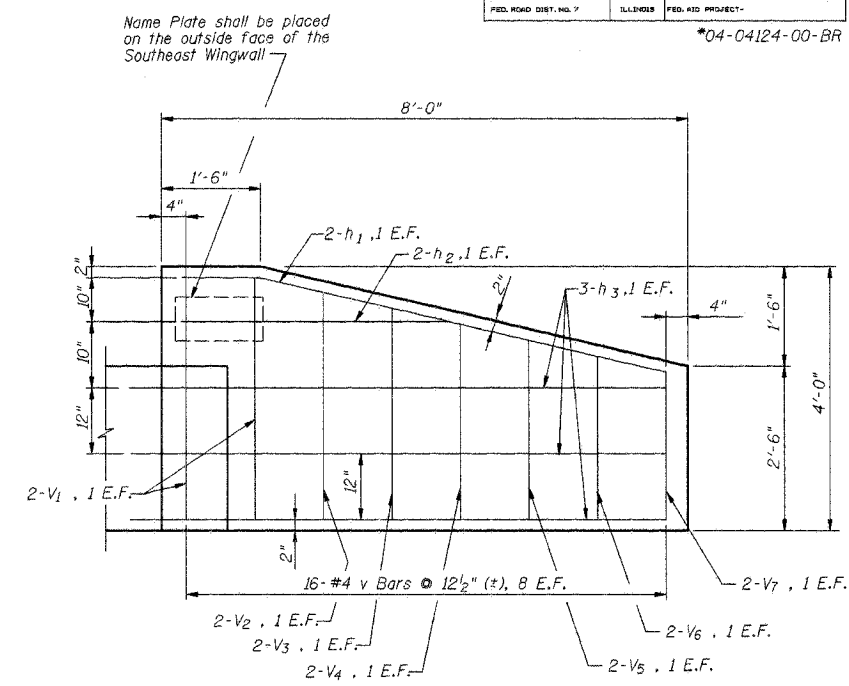
TOP PLAN



NOTE: All edges shall have Standard 3/4" Chamfer, except as noted.

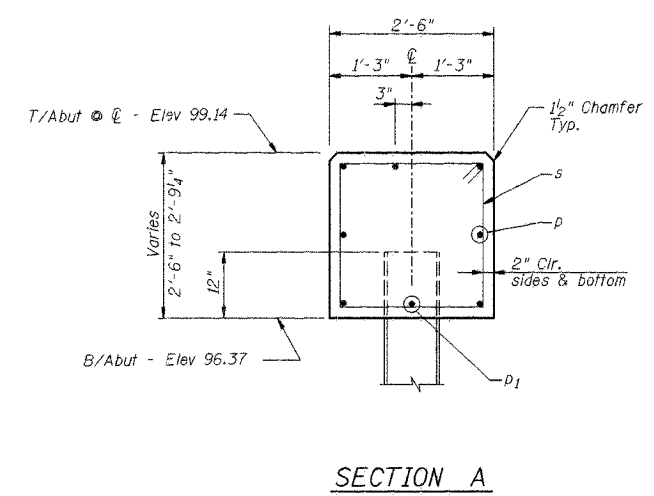


ELEVATION



WINGWALL ELEVATION

Wingwalls shall be poured after beams are in place.



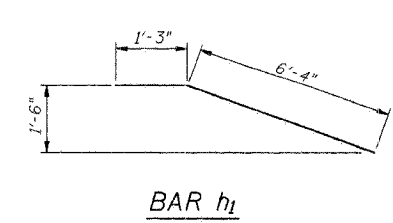
SECTION A

BILL OF MATERIAL - 2 ABUTS.

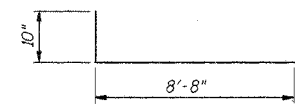
Bar	No.	Size	Length	Shape
h1	8	#5	7'-7"	—
h2	8	#5	5'-0"	—
h3	24	#5	9'-6"	—
p	14	#6	29'-0"	—
p1	6	#6	7'-6"	—
s	60	#5	9'-7"	□
u	12	#6	12'-0"	—
v1	16	#4	3'-8"	—
v2	8	#4	3'-5"	—
v3	8	#4	3'-2"	—
v4	8	#4	2'-11"	—
v5	8	#4	2'-8"	—
v6	8	#4	2'-5"	—
v7	8	#4	2'-3"	—
Concrete Structures	Cu. Yds.	18.1		
Reinforcement Bars	Lbs.	1970		
Test Pile, Steel HP10x42	Each	2		
Furnish Steel Piles, HP10x42	Foot	168		
Driving Steel Piles	Foot	168		
Metal Shoes	Each	6		
Name Plate	Each	1		
Structure Excavation	Cu. Yds.	46		

PILE DATA

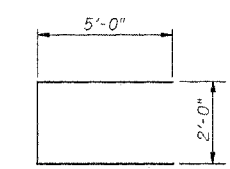
Type: Steel HP 10 x 42
 No. Required: 3 West Abutment
 3 East Abutment
 Capacity: 22 T/Pile
 Est. Length: 28 Ft. W. Abutment
 28 Ft. E. Abutment
 Test Piles: 1 East Abutment
 1 West Abutment



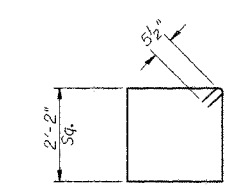
BAR h1



BAR h3



BAR u



BAR s

DSGN	R.T. Mumm				
DR	R.T. Mumm				
CHK	K.E. Brandau				
APVD	K.E. Brandau	NO.	DATE	REVISION	BY

FRAUENHOFFER
 Frauenhoffer and Associates, P.C. Consulting Engineers
 3002 Crossing Court Champaign, IL 61822 217-361-6268

ABUTMENTS
 SHEET 5
 DWG NO. 4067-abt.dgn
 DATE DEC 2004
 PROJ NO. 4067
 GOOSE CREEK ROAD DISTRICT
 SECTION 04-04124-00-BR
 PIATT COUNTY