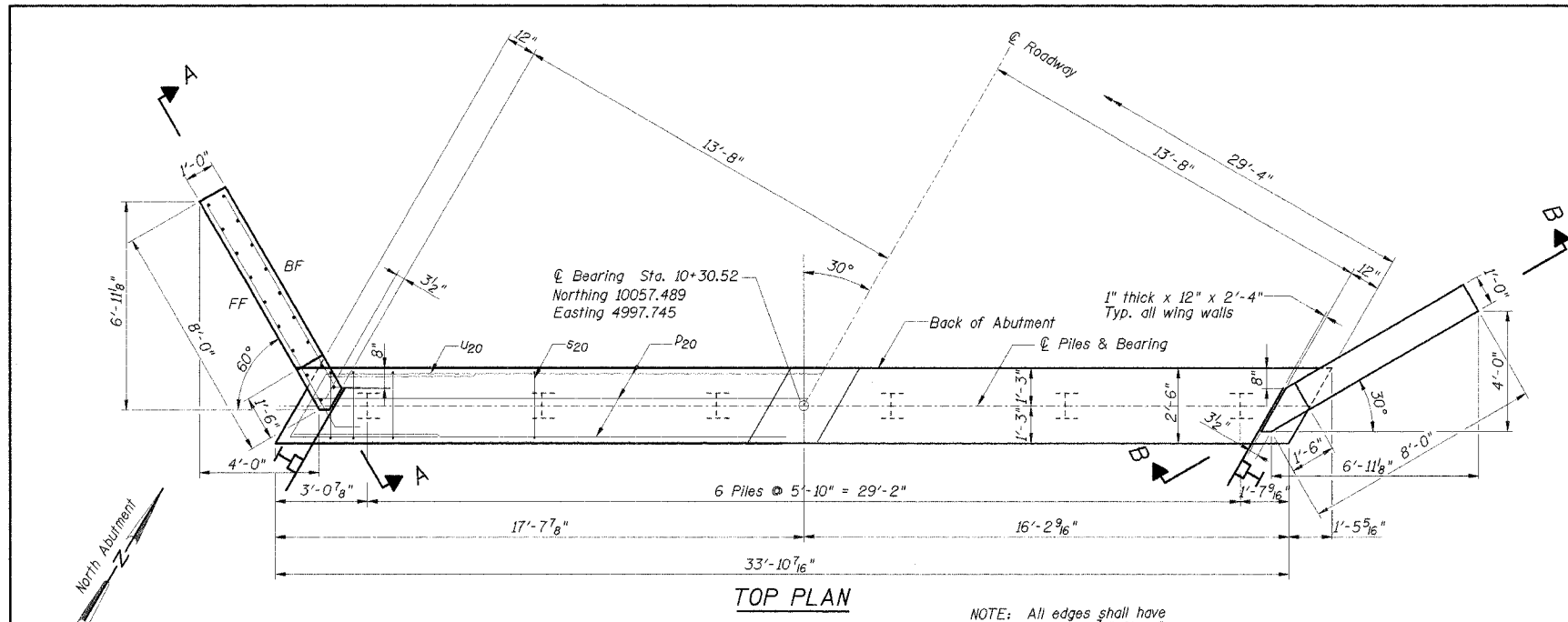


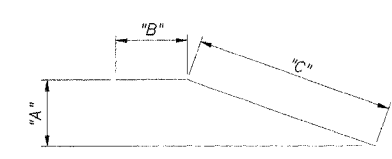
ROUTE NO.	SECTION	COUNT	TOTAL SHEETS	SHEET NO.
TR 96	*	Vermilion	12	6
FED. ROAD DIST. VOL. 7		ILLINOIS	FED. AID PROJECT	

\*02-03132-00-BR



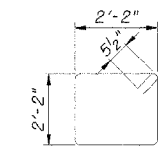
TOP PLAN

NOTE: All edges shall have Standard 3/4" Chamfer, except as noted.

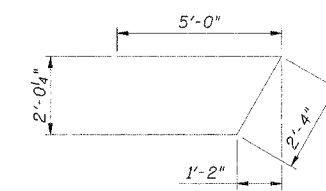


BAR h20, h24, h25, h29, h31

BAR	"A"	"B"	"C"
h20	7'-4 3/8"	0'-10"	8'-6"
h24	2'-3 1/2"	1'-3"	7'-0"
h25	5'-0"	0'-10"	7'-5"
h29	2'-3 1/2"	0'-3"	7'-0"
h31	2'-3 1/2"	1'-0"	7'-0"



BAR s20



BAR u20

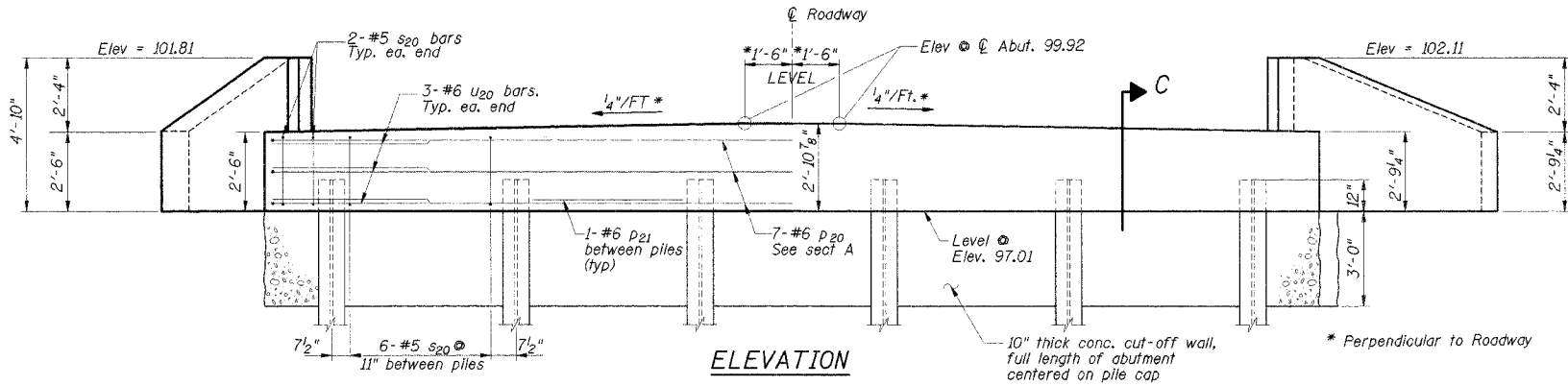
NOTE: Slope top of Abutment to drain between bearing pads

PILE DATA

Type: Steel HP10x42  
 No. Required: 5 North Abutment  
 Capacity: 30 T/Pile @ North abutment  
 Est. Length: 39 Ft. N. Abutment  
 Test Piles: 1 North Abutment

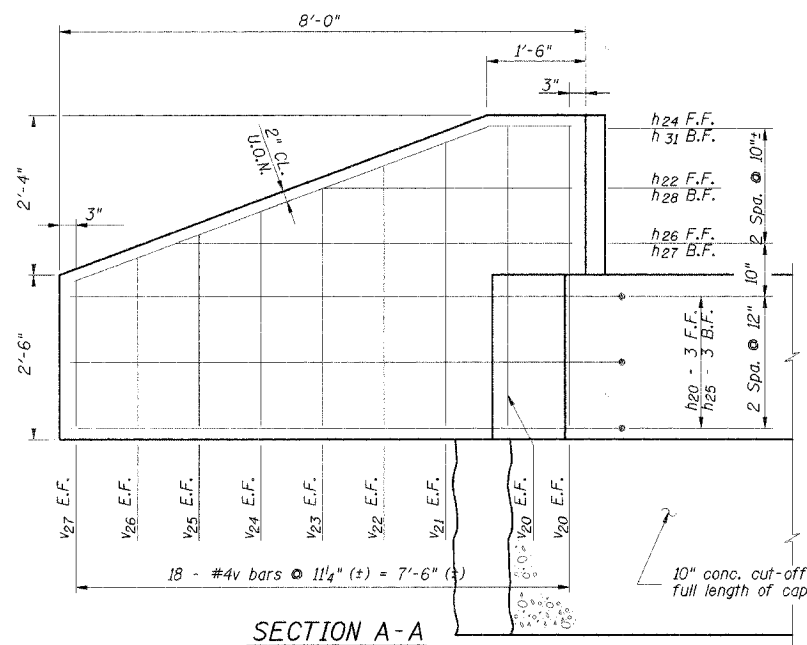
BILL OF MATERIAL-N. ABUT.

Bar	No.	Size	Length	Shape
h20	6	#5	5'-4"	
h21	1	#5	6'-5"	
h22	1	#5	3'-10"	
h23	1	#5	3'-10"	
h24	2	#5	8'-3"	
h25	6	#5	8'-3"	
h26	1	#5	5'-10"	
h27	1	#5	5'-5"	
h28	1	#5	3'-1"	
h29	1	#5	7'-3"	
h30	1	#5	5'-3"	
h31	1	#5	8'-0"	
h32	1	#5	2'-4"	
P20	7	#6	33'-6"	
P21	5	#6	4'-10"	
s20	34	#5	9'-7"	□
u20	6	#6	12'-4"	□
v20	10	#4	4'-6"	
v21	6	#4	4'-3"	
v22	4	#4	3'-11"	
v23	4	#4	3'-7"	
v24	4	#4	3'-3"	
v25	4	#4	2'-11"	
v26	4	#4	2'-6"	
v27	4	#4	2'-2"	
Concrete Structures			Cu. Yds.	10.9
Reinforcement Bars			Lbs.	1120
Test Pile, Steel HP10x42			Each	1
Furnish Steel Pile, HP10x42			Foot	195
Drive Steel Pile			Foot	195
Metal Shoes			Each	5
Concrete Cut-off Wall			Cu. Yds.	3.2
Structure Excavation			Cu. Yds.	49
Controlled Low-Strength Material (CLSM)			Cu. Yds.	28



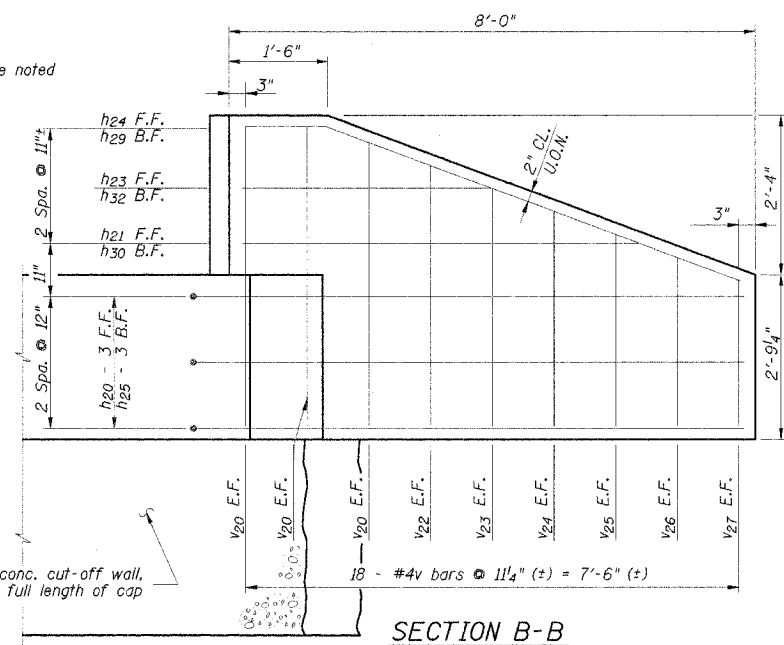
ELEVATION

10" thick conc. cut-off wall, full length of abutment centered on pile cap  
 \* Perpendicular to Roadway

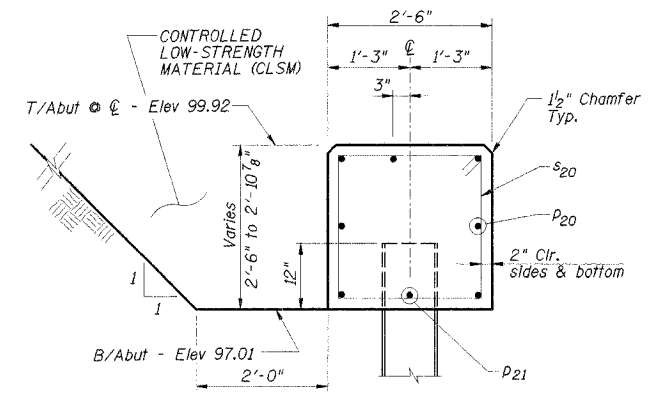


SECTION A-A

F.F. - Front Face  
 B.F. - Back Face  
 E.F. - Each Face  
 U.O.M. - Unless otherwise noted



SECTION B-B



SECTION C  
 (Perpendicular to  $\bar{C}$  of Abutment)

DSGN	R.T. Mumm				
DR	R.T. Mumm				
CHK	K.E. Brandau				
APVD	K.E. Brandau	NO.	DATE	REVISION	BY

FRAUENHÖFFER

Frauenhoffer and Associates, P.C. Consulting Engineers  
 3002 Crossing Court Champaign, IL 61822 217-351-6268

NORTH ABUTMENT  
 CARROLL ROAD DISTRICT  
 SECTION 02-03132-00-BR  
 VERMILION COUNTY

SHEET	6
DWG NO.	5072-Nabst.dgn
DATE	JAN 2006
PROJ NO.	5072