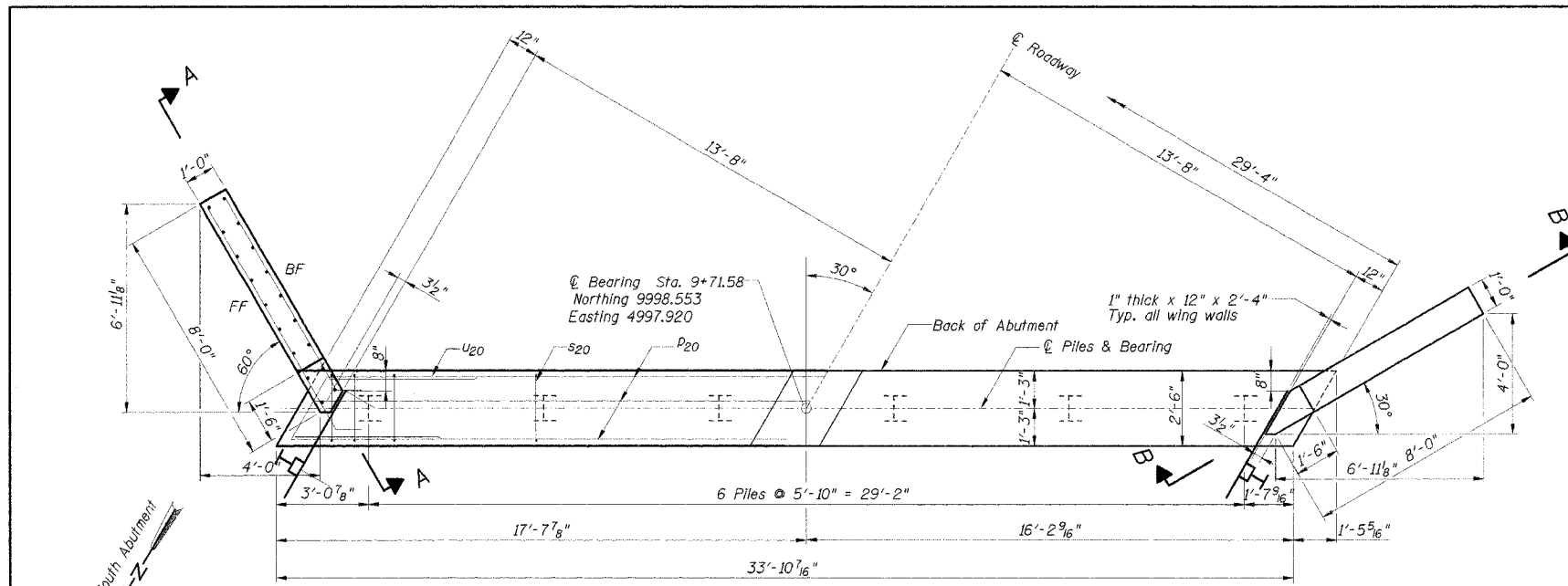


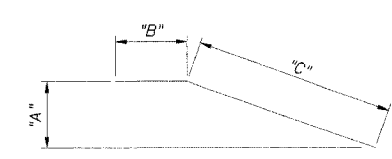
PROJECT NO.	SECTION	COUNT	TOTAL SHEETS	NO.
TR 96	*	Vermilion	12	7
FED. ROAD DIST. NO. 7	LINES		FED. AID PROJECT	

*02-03132-00-BR



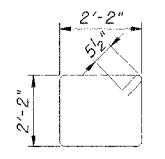
TOP PLAN

NOTE: All edges shall have Standard 3/4" Chamfer, except as noted.

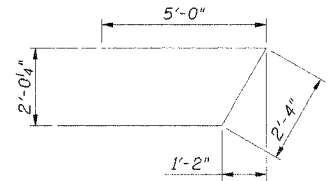


BAR h20, h24, h25, h29, h31

BAR	"A"	"B"	"C"
h20	7'-4 3/8"	0'-10"	8'-6"
h24	2'-3 1/2"	1'-3"	7'-0"
h25	5'-0"	0'-10"	7'-5"
h29	2'-3 1/2"	0'-3"	7'-0"
h31	2'-3 1/2"	1'-0"	7'-0"



BAR s20



BAR u20

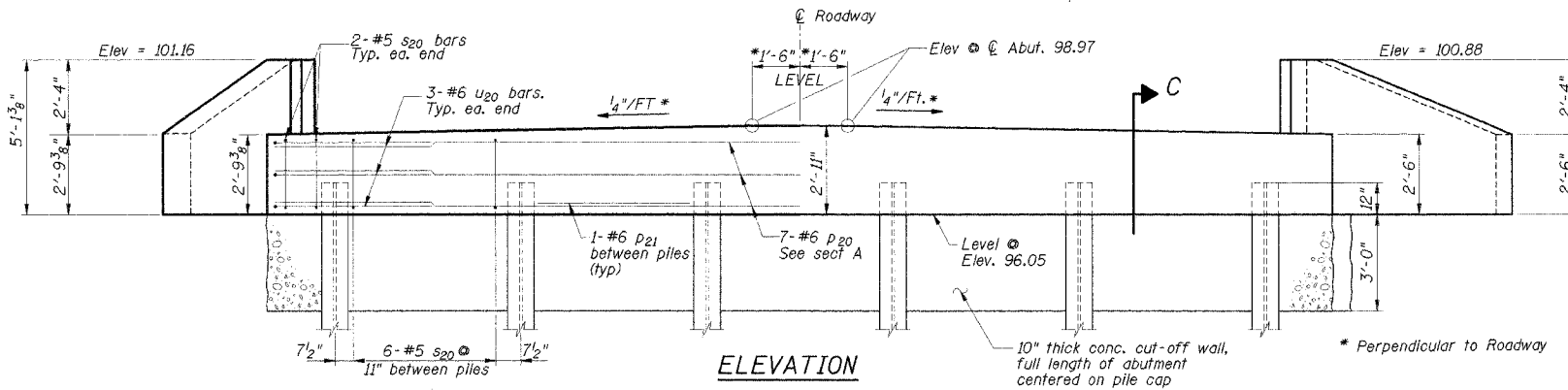
NOTE: SLOPE TOP OF ABUTMENT TO DRAIN BETWEEN BEARING PADS

PILE DATA

Type: Steel HP10x42
 No. Required: 5 South Abutment
 Capacity: 30 T/Pile @ South abutment
 Est. Length: 39 Ft. S. Abutment
 Test Piles: 1 South Abutment

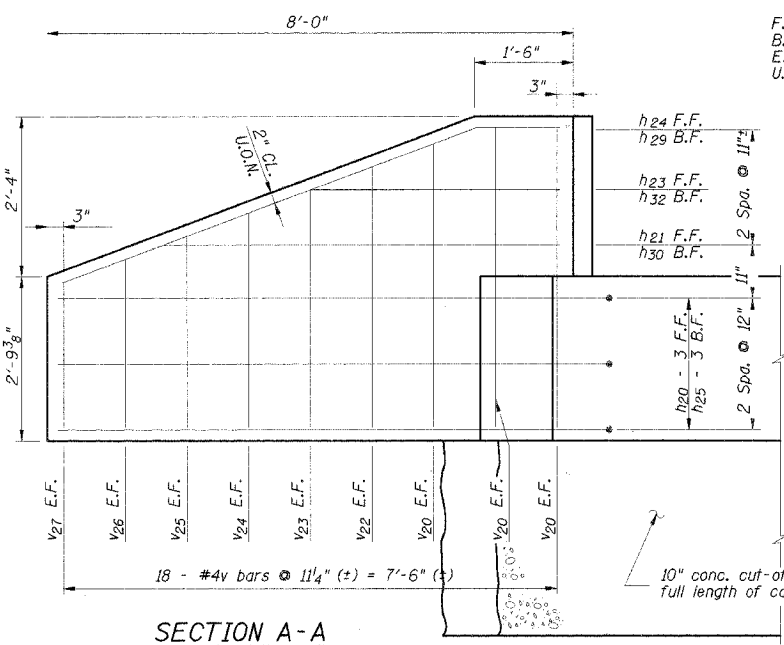
BILL OF MATERIAL-S. ABUT.

Bar	No.	Size	Length	Shape
h20	6	#5	9'-4"	
h21	1	#5	6'-5"	
h22	1	#5	3'-6"	
h23	1	#5	3'-10"	
h24	2	#5	8'-3"	
h25	6	#5	8'-3"	
h26	1	#5	5'-10"	
h27	1	#5	5'-5"	
h28	1	#5	3'-1"	
h29	1	#5	7'-3"	
h30	1	#5	5'-3"	
h31	1	#5	8'-0"	
h32	1	#5	2'-4"	
P20	7	#6	33'-6"	
P21	5	#5	4'-10"	
S20	34	#5	9'-7"	□
U20	6	#6	12'-4"	□
V20	10	#4	4'-6"	
V21	6	#4	4'-3"	
V22	4	#4	3'-11"	
V23	4	#4	3'-7"	
V24	4	#4	3'-3"	
V25	4	#4	2'-11"	
V26	4	#4	2'-6"	
V27	4	#4	2'-2"	
Concrete Structures		Cu. Yds.	10.9	
Reinforcement Bars		Lbs.	1120	
Test Pile, Steel HP10x42		Each	1	
Furnish Steel Pile, HP10x42		Foot	195	
Drive Steel Pile		Foot	195	
Metal Shoes		Each	5	
Concrete Cut-off Wall		Cu. Yds.	3.2	
Structure Excavation		Cu. Yds.	52	
Controlled Low-Strength Material (CLSM)		Cu. Yds.	28	

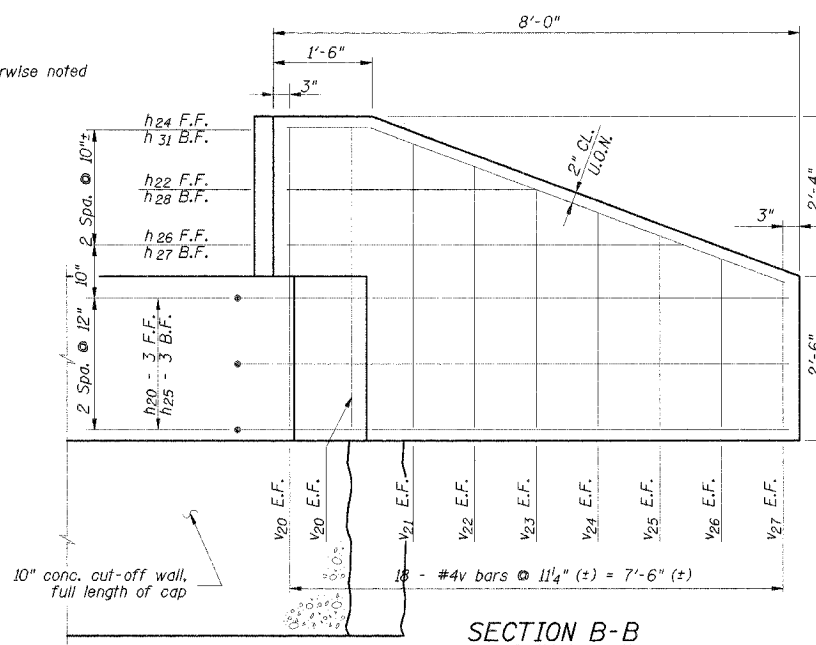


ELEVATION

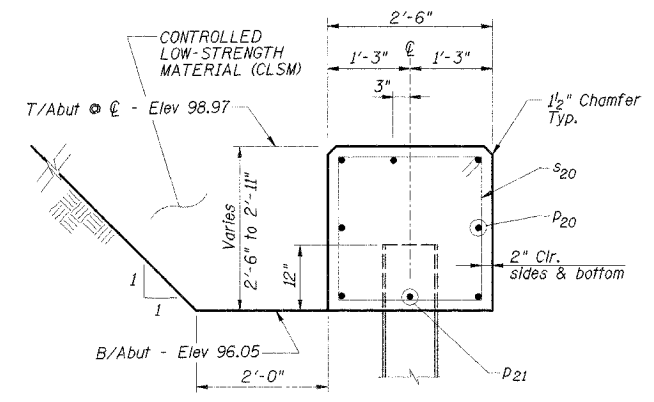
F.F. - Front Face
 B.F. - Back Face
 E.F. - Each Face
 U.O.N. - Unless otherwise noted



SECTION A-A



SECTION B-B



SECTION C
 (Perpendicular to
 of Abutment)

DSGN	R.T. Mumm				
DR	R.T. Mumm				
CHK	K.E. Brandau				
APVD	K.E. Brandau	NO.	DATE	REVISION	BY

FRAUENHÖFFER
 Frauenhoffer and Associates, P.C. Consulting Engineers
 3002 Crossing Court Champaign, IL 61822 217-351-6268

SOUTH ABUTMENT
 CARROLL ROAD DISTRICT
 SECTION 02-03132-00-BR
 VERMILION COUNTY

SHEET 7
 DWG NO. 6072-Nabst.dgn
 DATE JAN 2006
 PROJ NO. 5072