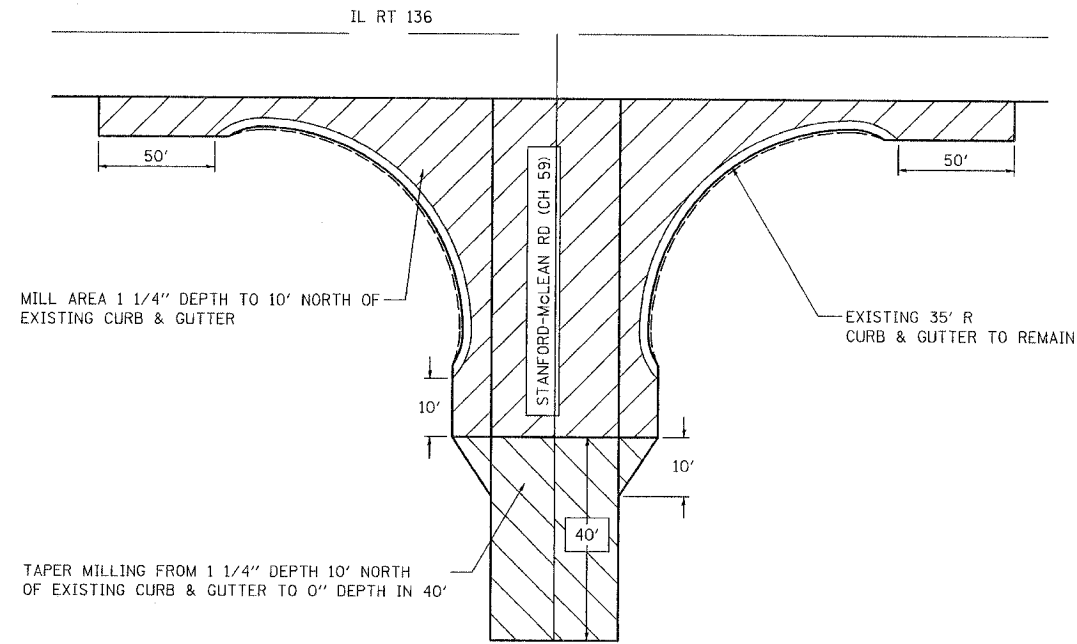


CO HWY	SECTION	COUNTY	TOTAL SHEETS	SHEET NO.
59	05-00047-09-RS	McLEAN	4	3

SPECIAL INTERSECTION

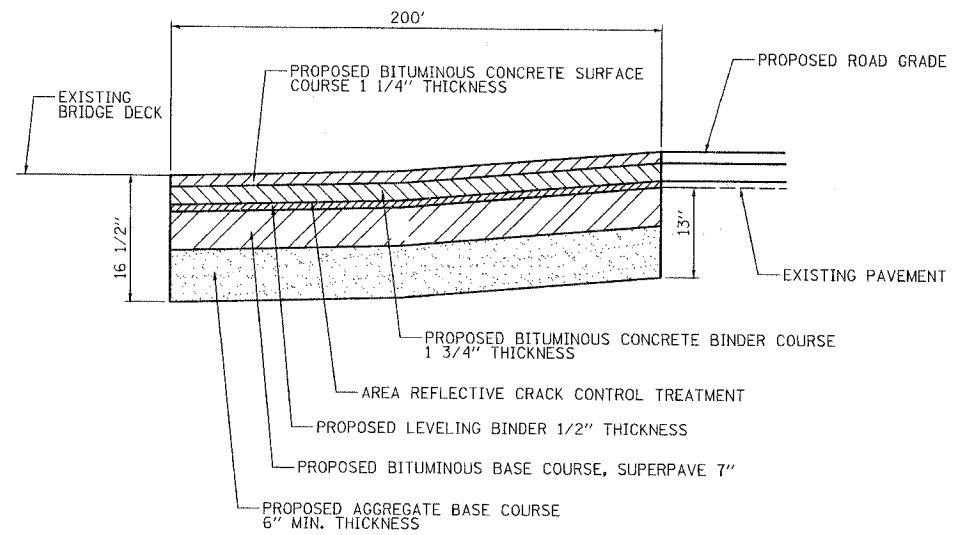
1 @ STA: 502+07.20 (IL RT 136)  
 184.1 SQ YDS BINDER & SURFACE IN RADII  
 406.5 SQ YDS TOTAL MILLING



PLAN

BRIDGE APPROACH RECONSTRUCTION DETAIL

STA: 397+18.35 & 398+81.65



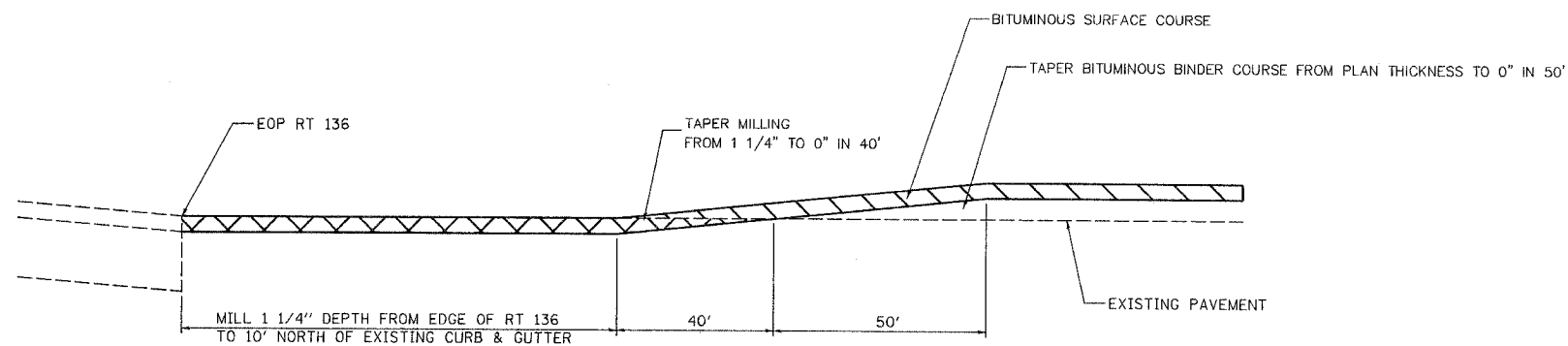
PROFILE

BRIDGE APPROACH RECONSTRUCTION NOTES:

EARTH EXCAVATION QUANTITY EQUALS 218.5 CU YDS (EACH END OF BRIDGE).

AGGREGATE BASE COURSE, TYPE B TO BE PLACED AT A THICKNESS OF 6" MIN. 533.3 SQ YDS (EACH END OF BRIDGE).

BITUMINOUS BASE COURSE, SUPERPAVE 7" QUANTITY EQUALS 533.3 SQ YDS (EACH END OF BRIDGE).



PROFILE