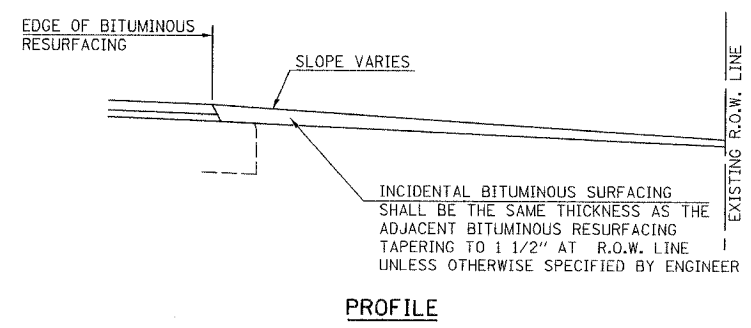
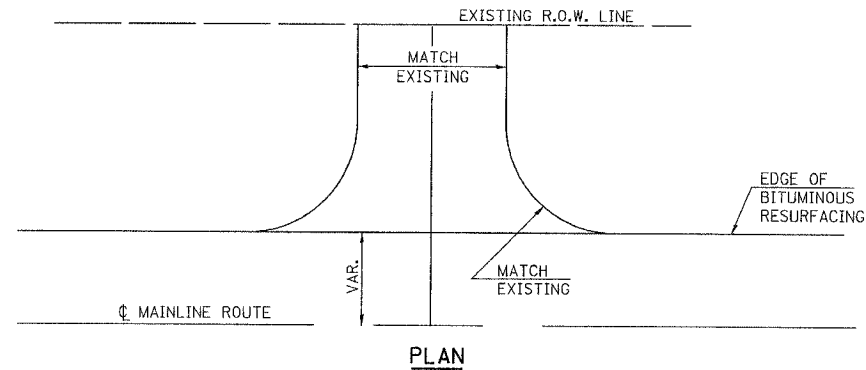


CO HWY	SECTION	COUNTY	TOTAL SHEETS	SHEET NO.
59	05-00047-09-RS	MCLEAN	4	4

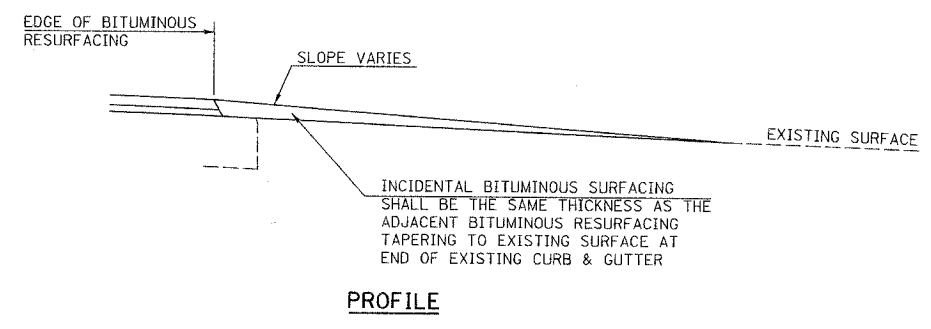
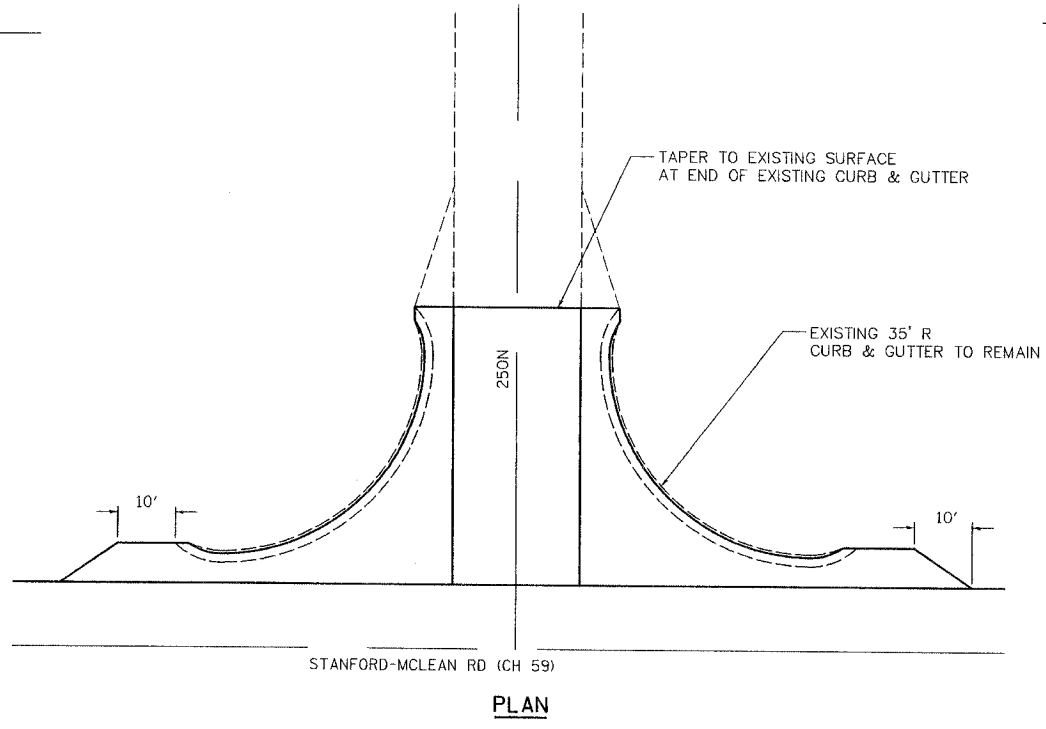
TYPICAL PRIVATE ENTRANCE

8 @ 65.8 SQ YDS EACH



SPECIAL SDRD RETURN

1 @ 250N
281.9 SQ YDS TOTAL
INCIDENTAL BITUMINOUS SURFACING



SPECIAL SDRD RETURN

1 @ CH 44 (MCLEAN RD)
404.1 SQ YDS TOTAL
INCIDENTAL BITUMINOUS SURFACING

