

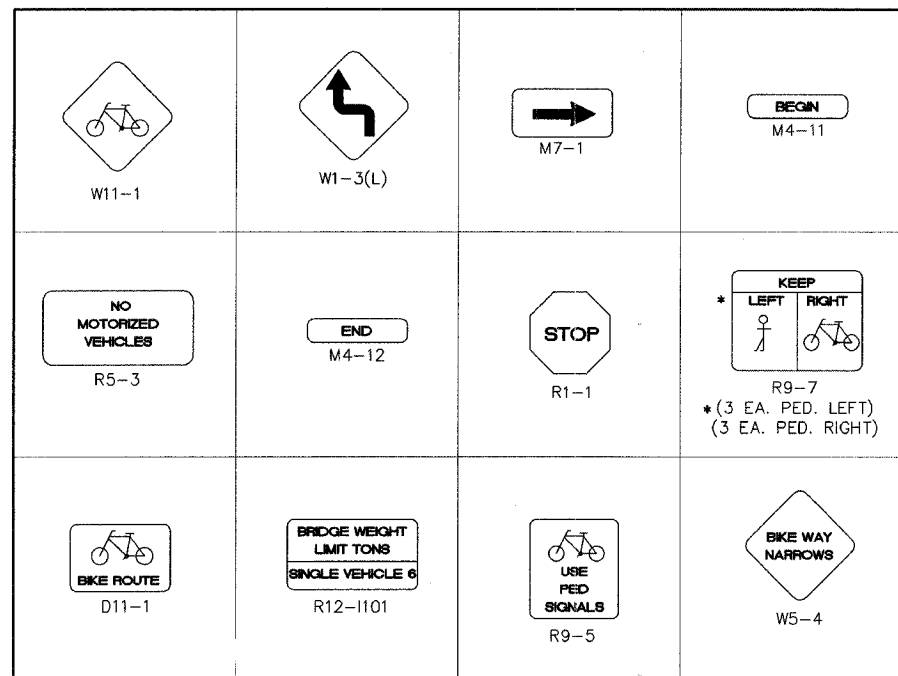
F.A. RTE.	SECTION	CITY	TOTAL SHEETS	SHEET NO.
*	***	SPRINGFIELD	34	3
STA. TO STA.				
ILLINOIS FED. AID PROJECT **				
* N&W RAILROAD BIKE TRAIL				
*** 99-P4001-00-BT				
** TE-0006(070)				

LOCATION	PAINT PAVEMENT MARKING				SIGN PANEL - TYPE 1 SQ. FT. (NUMBER OF SIGNS)												SIGN PANEL - TYPE 2 R12-1101 (EACH) 54"x36"	TELESCOPING STEEL SIGN SUPPORT (FOOT)
	LINE PAINT 4" (FOOT)	LINE PAINT 6" (FOOT)	LINE PAINT 12" (FOOT)	LINE PAINT 24" (FOOT)	R1-1 (EACH) 18"x18"	S1-1 (EACH) 30"x30"	W11-1 (EACH) 24"x24"	D11-1 (EACH) 24"x18"	M4-12 (EACH) 12"x4"	M7-1 (EACH) 12"x9"	R5-3 (EACH) 24"x24"	W1-3(L) (EACH) 18"x18"	W5-4 (EACH) 18"x18"	R9-7 (EACH) 12"x18"	W16-2 (EACH) 24"x18"	R9-5 (EACH) 12"x18"		
STA. 35+00		94					4.0 (1)		0.33 (1)									9.1
STA. 42+50													2.25 (1)					32.1
STA. 47+50													2.25 (1)					32.1
STA. 59+75 TO STA. 61+00	173	78	13	16	4.5 (2)		4.0 (1)			4.0 (1)								50.5
STA. 61+00 TO STA. 66+00	834													1.5 (1)				19.0
STA. 66+00 TO STA. 69+00	362													3.0 (2)				46.0
STA. 69+50 TO STA. 74+00	430	195						3.0 (1)		1.5 (2)				1.5 (1)		1.5 (1)		28.0
STA. 74+00 TO STA. 79+00	472	46												1.5 (1)		1.5 (1)		29.2
STA. 79+00 TO STA. 84+00	483	86	26	15	4.5 (2)		4.0 (1)			8.0 (2)				1.5 (1)				59.3
STA. 84+00 TO STA. 89+00	500																	
STA. 89+35		87																
STA. 89+00 TO STA. 94+00	459																	
STA. 94+00 TO STA. 99+00	434																	
STA. 98+70		167																
STA. 101+75		51																
STA. 99+00 TO STA. 103+84	445																	
STA. 103+84 TO STA. 109+00	498	244	33	60	2.25 (1)		8.0 (2)	6.0 (2)		.75 (1)	4.0 (1)					3.0 (2)		88.5
STA. 258+00																		9.1
CONNECTOR @ FAITH DRIVE			10	91	2.25 (1)													9.1
TOTAL	5090	1048	82	91	13.50 (6)	12.50 (2)	24.0 (6)	9.0 (3)	0.66 (2)	2.25 (3)	16.0 (4)	4.5 (2)	4.5 (2)	9.0 (6)	3.0 (1)	6.0 (4)	27.0 (2)	412.0

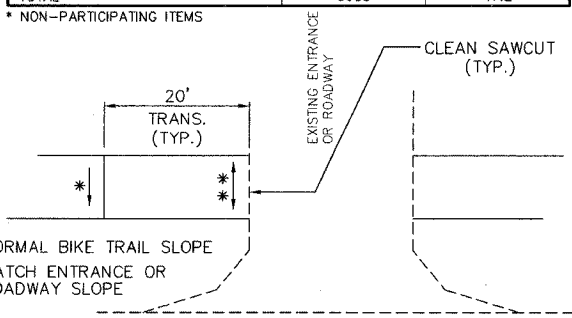
GENERAL NOTES

- WHEN SECTION OR SUB-SECTION MONUMENTS ARE ENCOUNTERED, THE ENGINEER SHALL BE NOTIFIED BEFORE SUCH MONUMENTS ARE REMOVED. THE CONTRACTOR SHALL PROTECT AND CAREFULLY PRESERVE ALL PROPERTY MARKS AND MONUMENTS UNTIL THE OWNER OR AN AUTHORIZED SURVEYOR OR AGENT HAS WITNESSED OR OTHER REFERENCED THEIR LOCATIONS.
- SEE SPECIAL PROVISIONS FOR SEEDING RATES.
- ALL PLAN ELEVATIONS REPRESENT USGS DATUM.
- THE ASSUMED RATE OF APPLICATION FOR GRANULAR AND BITUMINOUS MATERIALS ARE AS FOLLOWS:

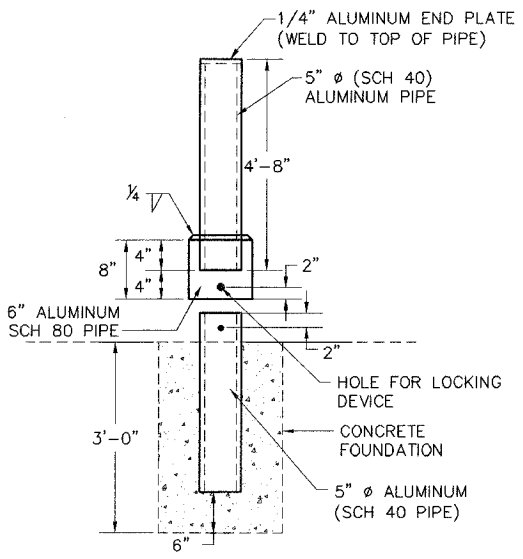
ALL GRANULAR MATERIAL	2.05 TON / CU. YD.
PRIME COAT FOR AGGREGATE BASE COURSE	0.30 GALLON / SQ. YD.
BITUMINOUS CONCRETE SURFACE COURSE	112 LBS. / IN.-SQ. YD.
- MINIMUM OFFSET FROM POWER POLES SHALL BE MAINTAINED AS SHOWN IN THE PLANS. THE MINIMUM OFFSET WILL GOVERN WHEN THE HORIZONTAL ALIGNMENT FAILS TO MEET THE OFFSET. THE CONTRACTOR SHALL USE A MINIMUM OF 20 MPH DESIGN SPEED WHEN ALTERING PROPOSED HORIZONTAL ALIGNMENT TO MEET THIS CONDITION.



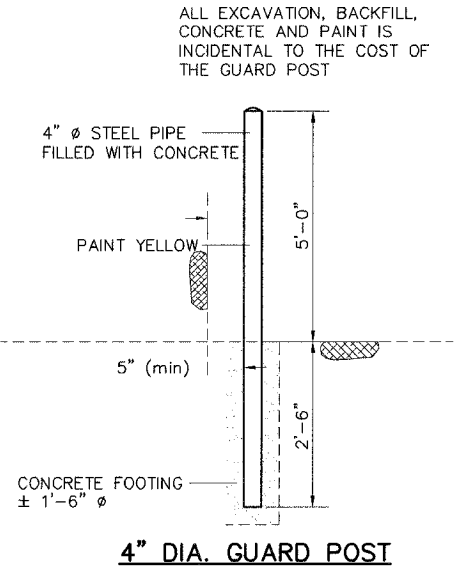
LOCATION	EARTH EXCAVATION CU. YD.	GRADING AND SHAPING ROADWAY (STA.)
STA. 28+10.00 TO STA. 43+65.00	2724	
STA. 44+45.00 TO STA. 54+00.00	961	
STA. 254+00.00 TO STA. 259+47.96		5.5
STA. 59+94.00 TO STA. 60+31.00		0.4
STA. 62+24.00 TO STA. 63+87.00		1.7
STA. 66+87.00 TO STA. 68+75.00		1.9
STA. 69+65.00 TO STA. 72+01.00		2.4
STA. 72+64.00 TO STA. 72+79.00		0.2
STA. 73+77.00 TO STA. 74+00.00		0.3
STA. 74+00.00 TO STA. 76+17.00		2.2
STA. 76+17.00 TO STA. 77+96.00		1.8
STA. 78+19.00 TO STA. 78+95.00		0.8
STA. 79+07.00 TO STA. 80+92.00		1.9
STA. 81+07.00 TO STA. 82+89.00		1.9
STA. 83+26.00 TO STA. 84+00.00		0.8
STA. 84+00.00 TO STA. 89+00.00		5.0
STA. 89+00.00 TO STA. 89+11.00		0.2
STA. 89+52.00 TO STA. 94+00.00		4.5
STA. 94+00.00 TO STA. 98+34.00		4.4
STA. 99+15.00 TO STA. 101+64.00		2.5
STA. 101+88.00 TO STA. 103+84.00		2.0
STA. 103+84.00 TO STA. 104+06.00		0.3
STA. 104+50.00 TO STA. 106+71.00		2.3
STA. 108+06.00 TO STA. 109+31.00		1.9
STA. 200+00.00 TO STA. 202+14.00		2.1*
TOTAL	3685	47.2



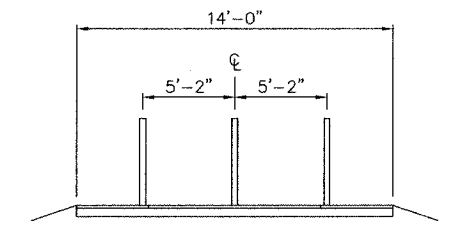
CROSS SLOPE TRANSITION DETAIL
ALL ENTRANCE & CROSSROAD INTERSECTIONS



5" DIA. REMOVABLE GUARD POST



4" DIA. GUARD POST



TYPICAL GUARD POST PLACEMENT

ILLINOIS DEPARTMENT OF TRANSPORTATION
SCHEDULE OF QUANTITIES
GENERAL NOTES AND DETAILS
 N&W RAILROAD BIKE TRAIL
 SECTION 99-P4001-00-BT
 PROJECT NO. TE-0006(070)
 SCALE: HORIZ. VERT.
 DATE: 11-20-00
 DRAWN BY: BAILEY
 DESIGNED BY: BOTT
 CHECKED BY: JESSEN
GREENE & BRADFORD, INC.
 CONSULTING ENGINEERS
 3201 CHESTNUT CIRCLE
 SPRINGFIELD, ILLINOIS 62707
 (217) 793-1844 (217) 793-6227 FAX
 COMPUTER FILE NO.
 99391GN2-10
 PROJECT
 99-391