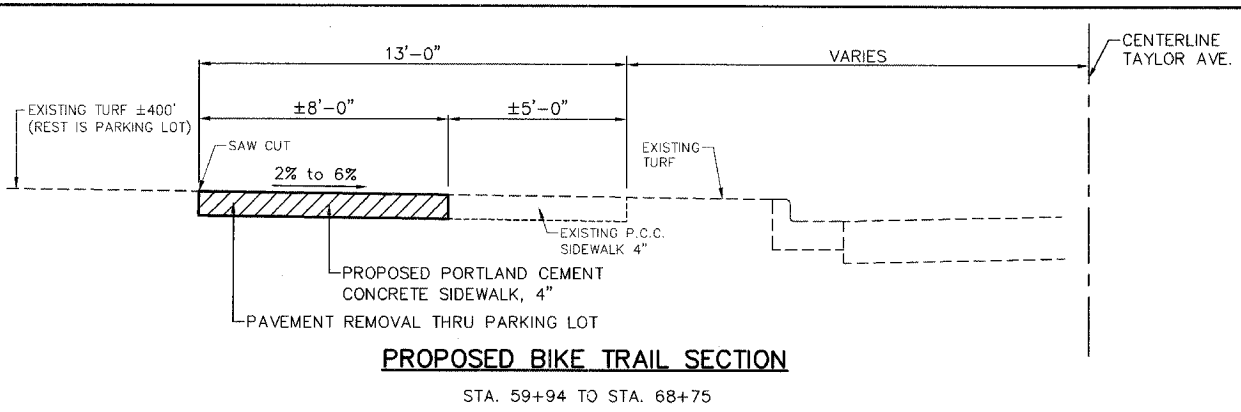
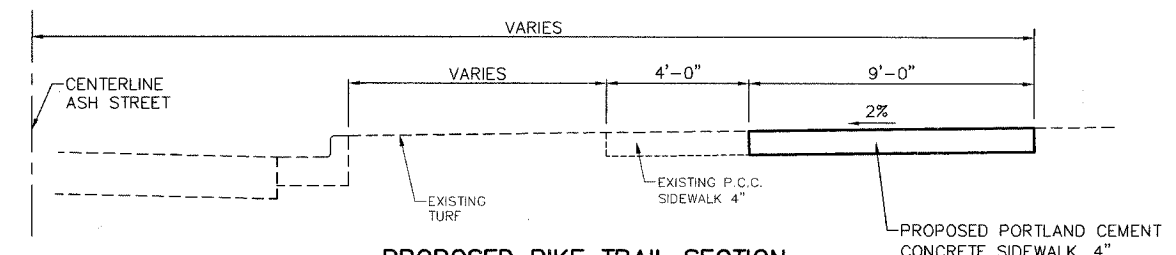


F.A. R.T.E.	SECTION	CITY	TOTAL SHEETS	SHEET NO.
*	***	SPRINGFIELD	34	4
STA.		TO STA.		
		ILLINOIS FED. AID PROJECT **		
* N&W RAILROAD BIKE TRAIL				
*** 99-P4001-00-BT				
** TE-00D6(070)				



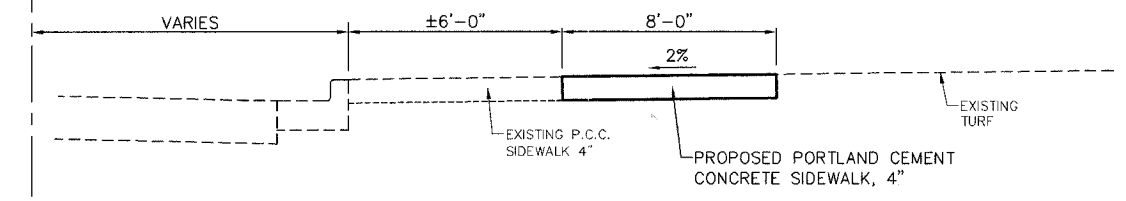
PROPOSED BIKE TRAIL SECTION

STA. 59+94 TO STA. 68+75



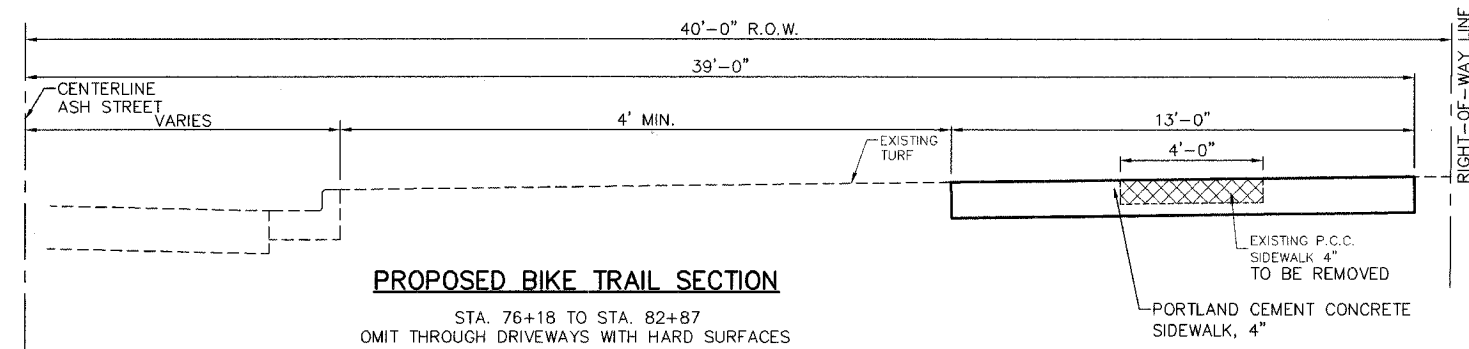
PROPOSED BIKE TRAIL SECTION

STA. 69+63 TO STA. 72+03
STA. 72+03 TO STA. 72+64 (OMISSION)
STA. 72+64 TO STA. 72+80



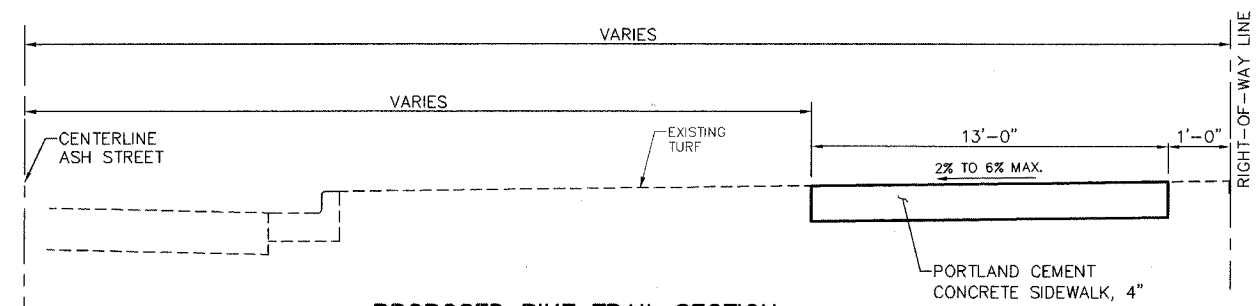
PROPOSED BIKE TRAIL SECTION

STA. 72+80 TO STA. 73+34 (OMISSION)
STA. 73+34 TO STA. 73+72 (OMISSION)
STA. 73+72 TO STA. 73+78 (OMISSION)
STA. 73+78 TO STA. 76+18



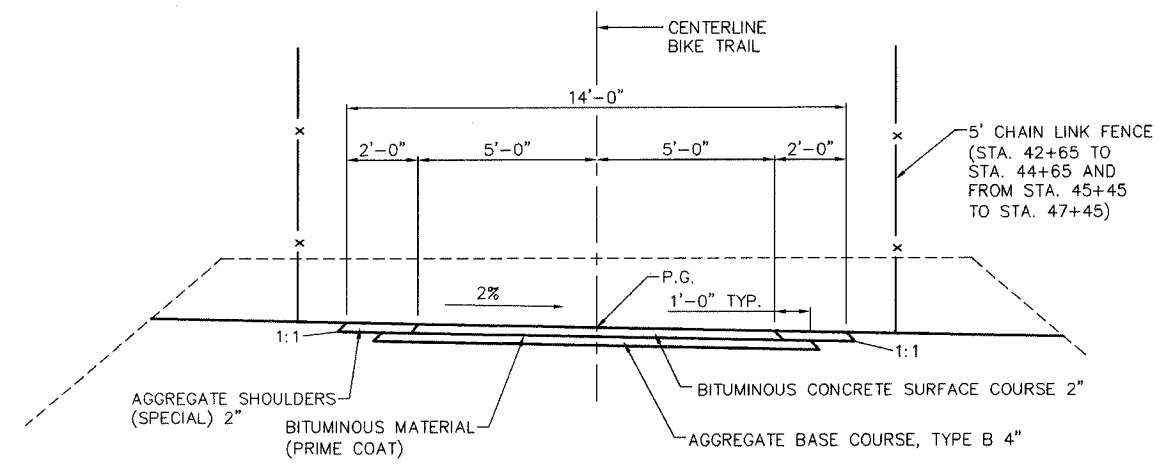
PROPOSED BIKE TRAIL SECTION

STA. 76+18 TO STA. 82+87
OMIT THROUGH DRIVEWAYS WITH HARD SURFACES



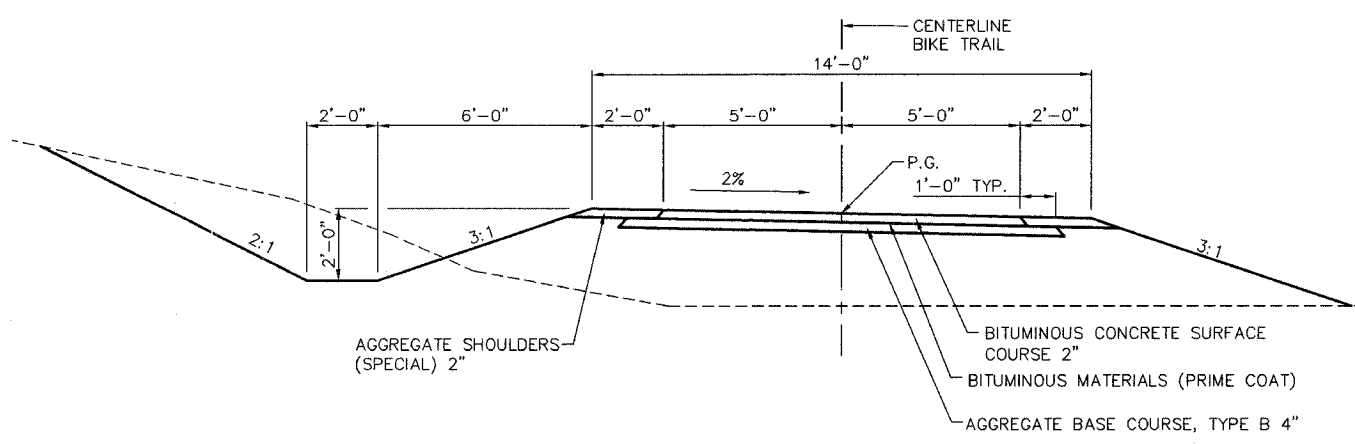
PROPOSED BIKE TRAIL SECTION

STA. 82+87.00 TO STA. 83+25.00 (OMISSION)
STA. 83+25.00 TO STA. 109+19.96



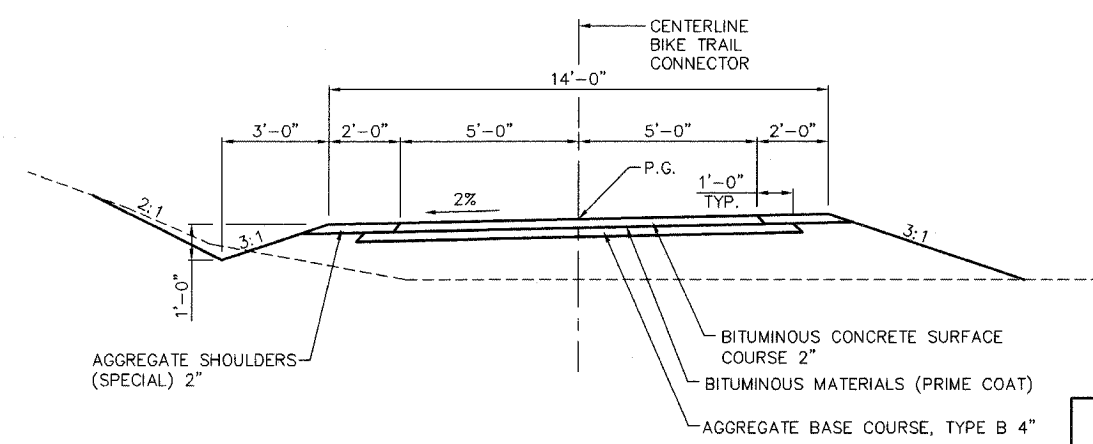
PROPOSED BIKE TRAIL TYPICAL SECTION

STATION 40+00.00, LT. TO STATION 44+65.00, LT.
STATION 42+00.00, RT. TO STATION 44+65.00, RT.



PROPOSED BIKE TRAIL TYPICAL SECTION

STATION 31+57.64 TO STATION 42+00.00
STATION 45+45.00 TO STATION 54+31.23
STATION 254+31.23 TO STATION 256+00.00
STATION 256+00.00 TO STATION 258+60.00 (TRANSITION)
STATION 258+60.00 TO STATION 259+47.96



PROPOSED BIKE TRAIL CONNECTOR TYPICAL SECTION

STATION 200+40.00 TO STATION 202+14.00

REVISIONS	
NAME	DATE

ILLINOIS DEPARTMENT OF TRANSPORTATION

TYPICAL SECTIONS

N&W RAILROAD BIKE TRAIL
SECTION 99-P4001-00-BT
PROJECT NO. TE-00D6(061)

SCALE: HORIZ.
DATE: 11-20-00

DRAWN BY: BAILEY
DESIGNED BY: BOTT
CHECKED BY: JESSEN

COMPUTER FILE NO. 99391TYP-10
PROJECT 99-391

GREENE & BRADFORD, INC.
CONSULTING ENGINEERS
3501 CONSTITUTION DRIVE
SPRINGFIELD, ILLINOIS 62707
(217) 763-8844, (217) 763-6227 FAX

michaels J:\99391\DRAWINGS\99391TYP.dwg Men. 01/16/2006 10:55am
 Xrefs: