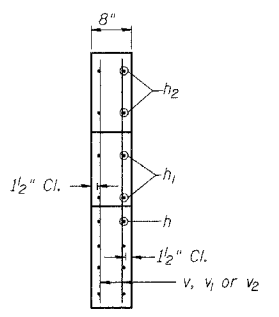
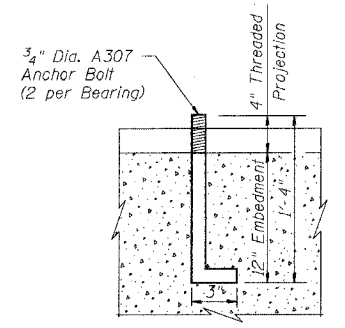
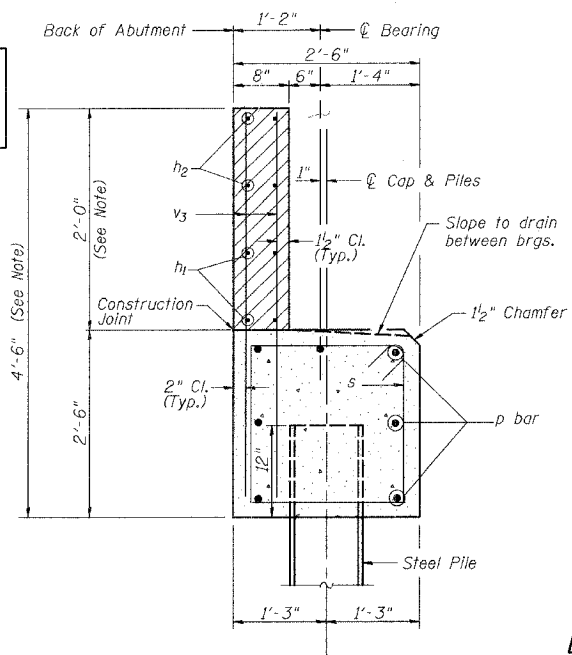
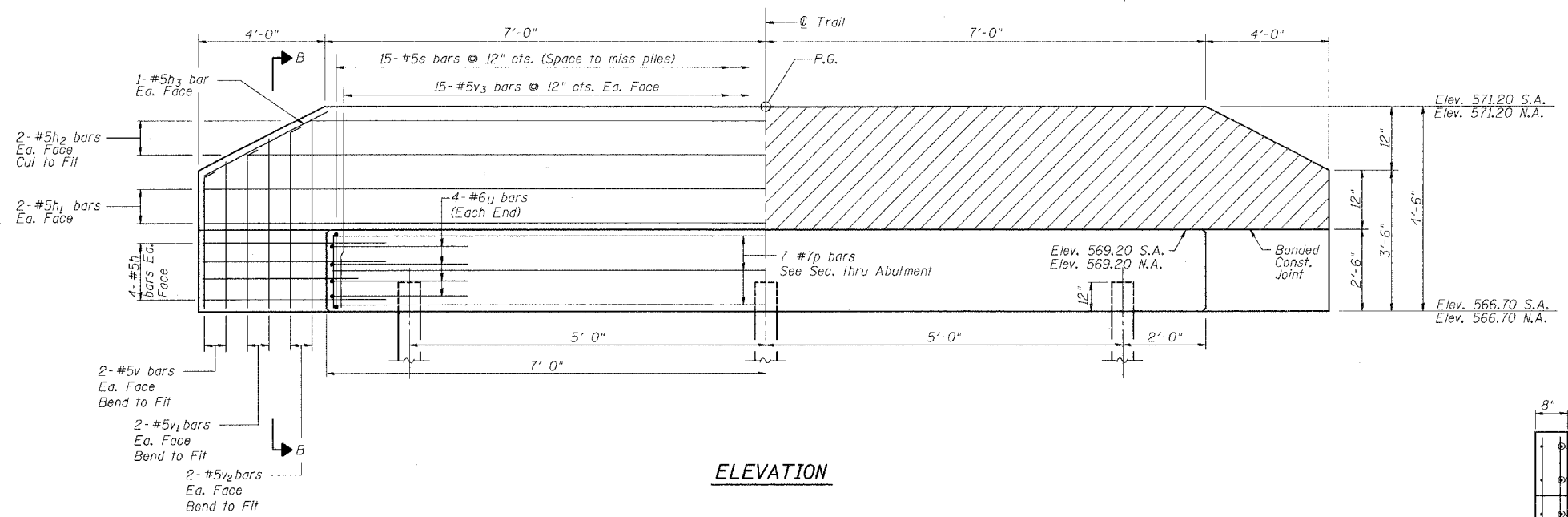


STATE OF ILLINOIS
DEPARTMENT OF TRANSPORTATION

RTE.	SECTION	COUNTY	TOTAL SHEETS	SHEET NO.
BIKE TRAIL	****	SANGAMON	35	29
TO STA.				
FED. ROAD DIST. NO. ILLINOIS FED. AID PROJECT				
Bridge Sheet 3 of 4 Sheets				
**** 99-P4001-00BT				
TE-00D6(070)				

Note: Contractor shall verify this dimension with Pre-Fabricated Bridge supplier. (Hold Elevation 571.20 and adjust bearing seat elevation.)

Note: Hatched Area may be poured after bridge is set in place.



SECTION THRU ABUTMENT

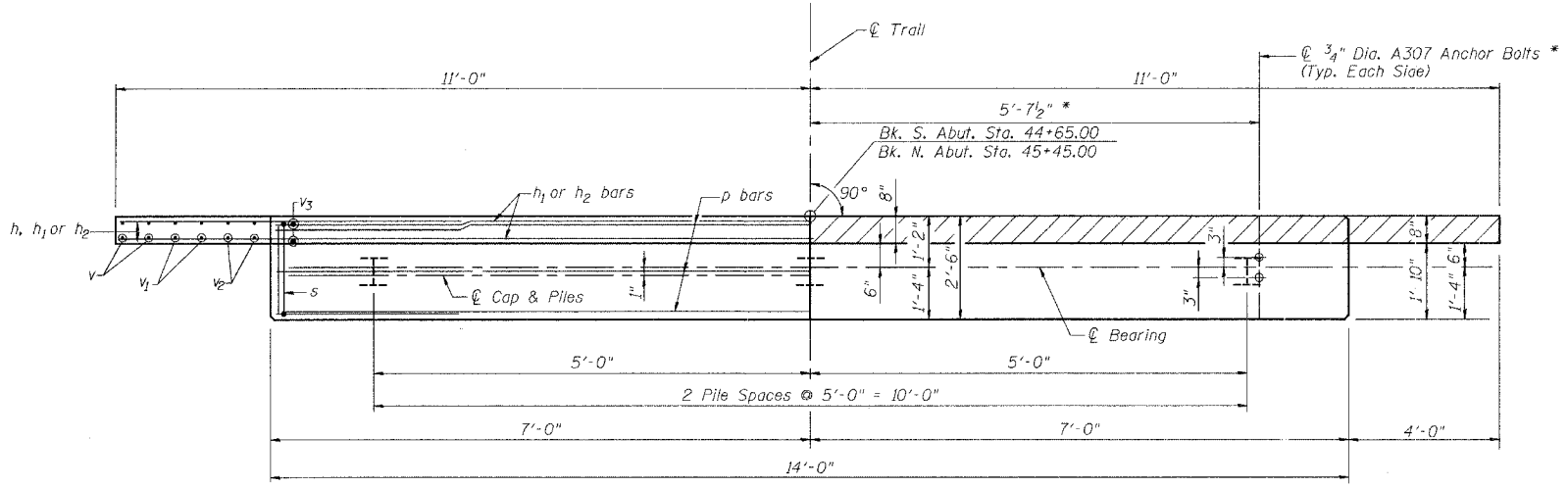
MINIMUM BAR LAPS

#5	1'-8"
#6	2'-0"
#7	2'-8"

BILL OF MATERIAL (2 ABUTMENTS)

BAR	NO.	SIZE	LENGTH	SHAPE
h	32	#5	6'-6"	—
h ₁	8	#5	21'-8"	—
h ₂	8	#5	18'-0"	—
h ₃	8	#5	4'-0"	—
p	14	#7	13'-8"	—
s	30	#5	9'-7"	□
u	16	#6	12'-1"	□
v	16	#5	3'-8"	—
v ₁	16	#5	3'-10"	—
v ₂	16	#5	4'-2"	—
v ₃	60	#5	4'-0"	—
Concrete Structures			Cu Yd	9.4
Reinforcement Bars			Pound	2010
Structure Excavation			Cu Yd	37
Steel H Piles, 10x42			Foot	130
Test Pile			Each	1

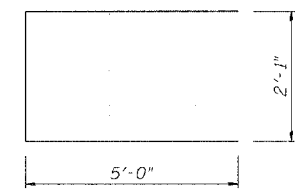
* Contractor shall verify anchor bolt locations and size with Bridge Manufacturer before placement.



PILE DATA

Type: Steel H, 10x42
Capacity: 17T min.- Driven to 26T
Length: 26'-0" min.
No. Required: N. Abut. 2 + 1 Test Pile
S. Abut. 3

BAR s



BAR u

NOTE: Abutment details shown are subject to change per premanufactured bridge manufacturer recommendations. It shall be the responsibility of the Contractor to coordinate all fabrication / construction variations in writing with the Engineer prior to construction. No additional compensation for this work will be allowed.

ILLINOIS DEPARTMENT OF TRANSPORTATION
ABUTMENTS
PREFABRICATED BRIDGE
SPRINGFIELD PARK DISTRICT
CITY OF SPRINGFIELD
BIKE TRAIL, SANGAMON COUNTY
BUNN SECTION 99-P4001-00-BT
STATION 45+05.00

SCALE: VERT. _____
HORIZ. _____
DATE: 04/22/02

DRAWN BY: BISHOP
DESIGNED BY: BRADFORD
CHECKED BY: MATHUR

COMPUTER FILE NO.
99391AB2-10
PROJECT 99391
1/12/06-MML

GREENE & BRADFORD, INC.
OF SPRINGFIELD
CONSULTING ENGINEERS
PROFESSIONAL ENGINEERING CORPORATION
1217 W. 84th St., Springfield, IL 62761

REVISIONS	
NAME	DATE
JLJ	09/24/02
ADD PILES	12/10/02

DESIGN		
INT.	DATE	REASON

PLOTS & CHECKS		
INT.	DATE	REASON

CHECKS		
INT.	DATE	REASON