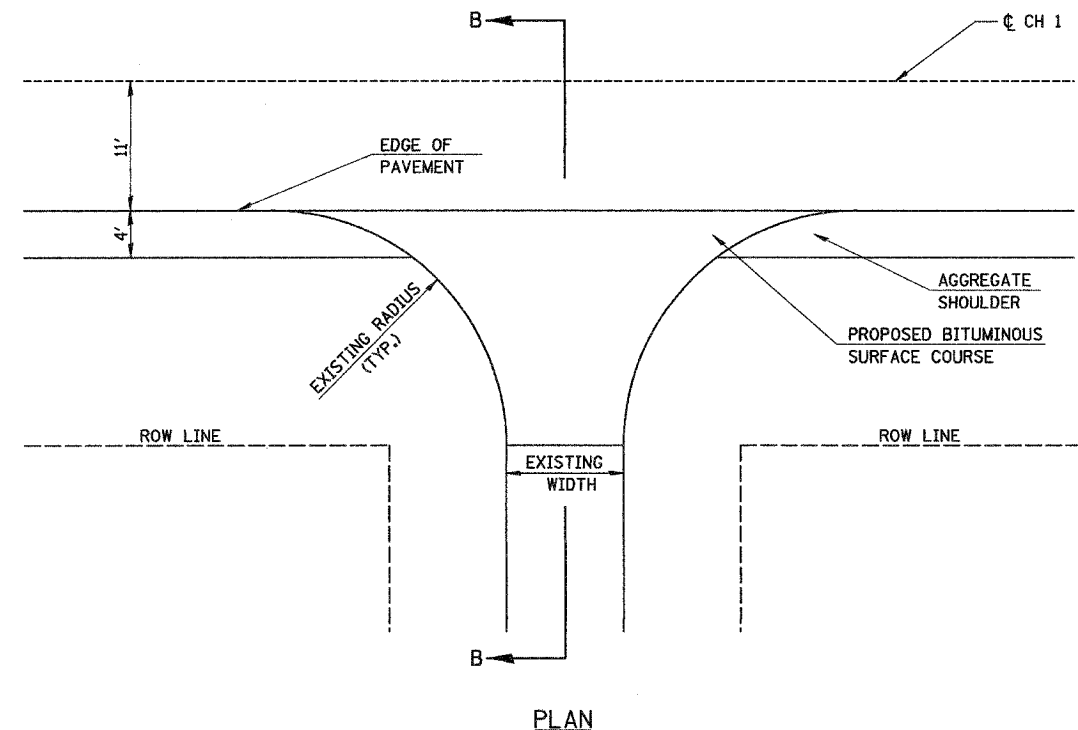
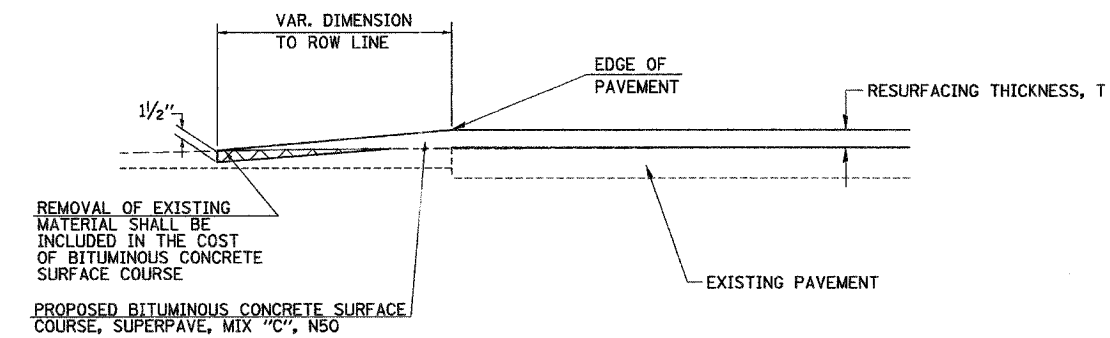


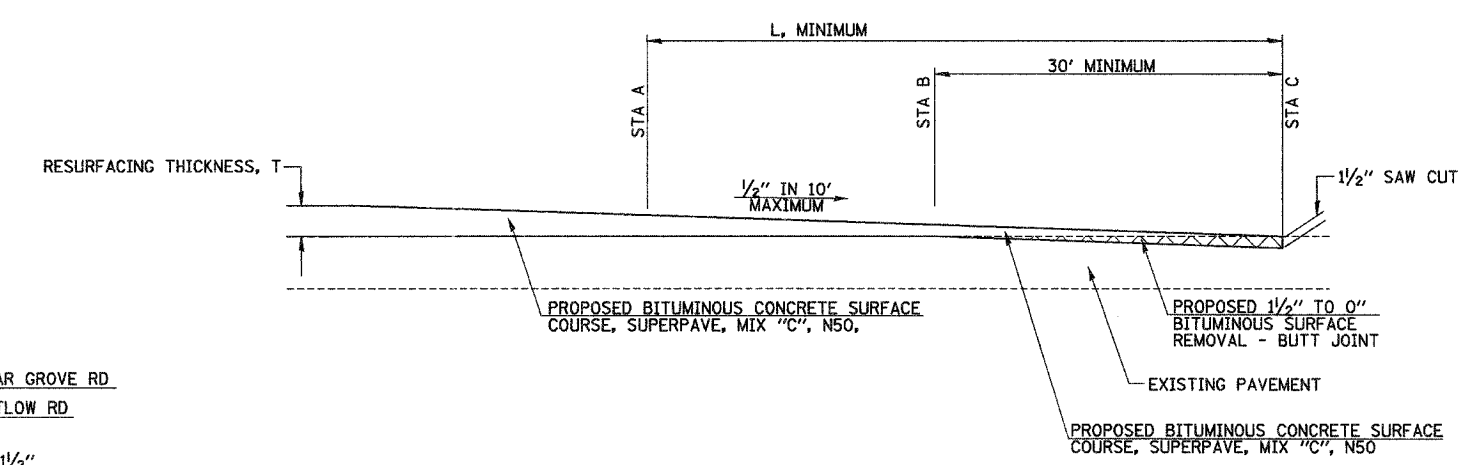
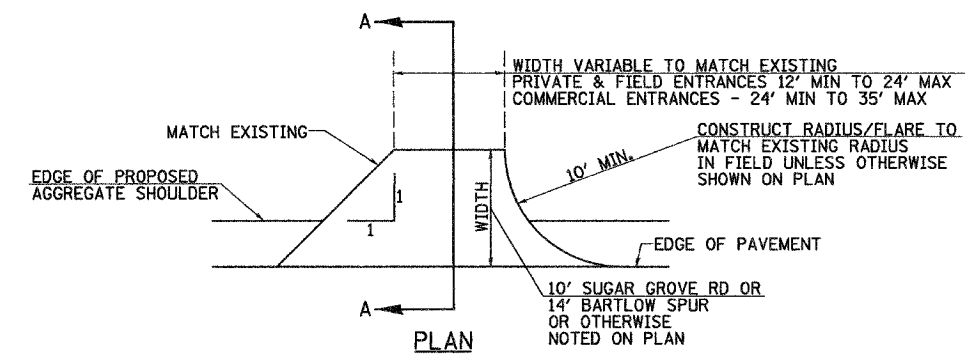
**CONTRACT NO. 93410**



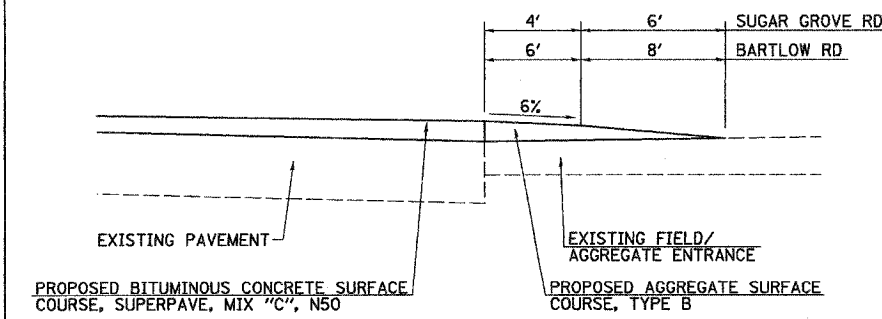
**SIDEROAD DETAIL**



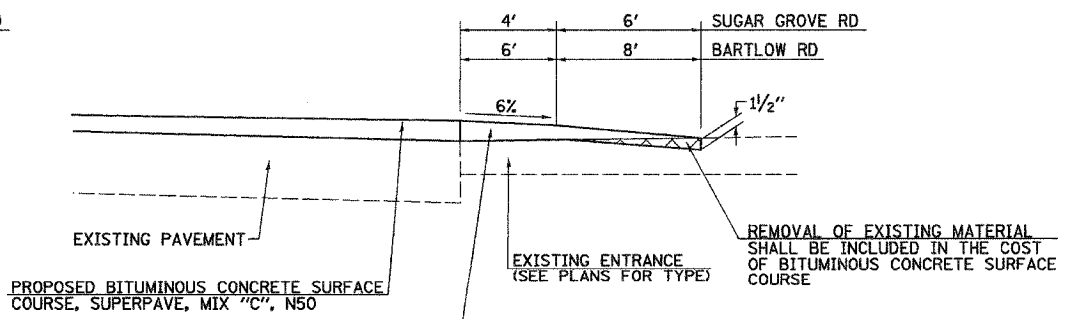
**SECTION B-B  
PROPOSED SIDEROAD TAPER**



STA A	STA B	STA C	T	L
0+42.00	0+42.00	0+12.00	1 1/2"	30'
1+70.20	1+60.20	1+30.20	2"	40'
30+61.00	30+61.00	30+91.00	1 1/2"	30'
0+25.00	0+25.00	99+95.00	1 1/2"	30'



**SECTION A-A  
AGGREGATE FIELD ENTRANCES**



**SECTION A-A  
BITUMINOUS PRIVATE ENTRANCES**

**ENTRANCE TAPERS**

**BUTT JOINT DETAIL**

REVISIONS	
NAME	DATE

**COUNTY HIGHWAY 1  
SPECIAL DETAILS**

DATE JULY 27, 2005  
DRAWN BY: JCW  
CHECKED BY: JRB