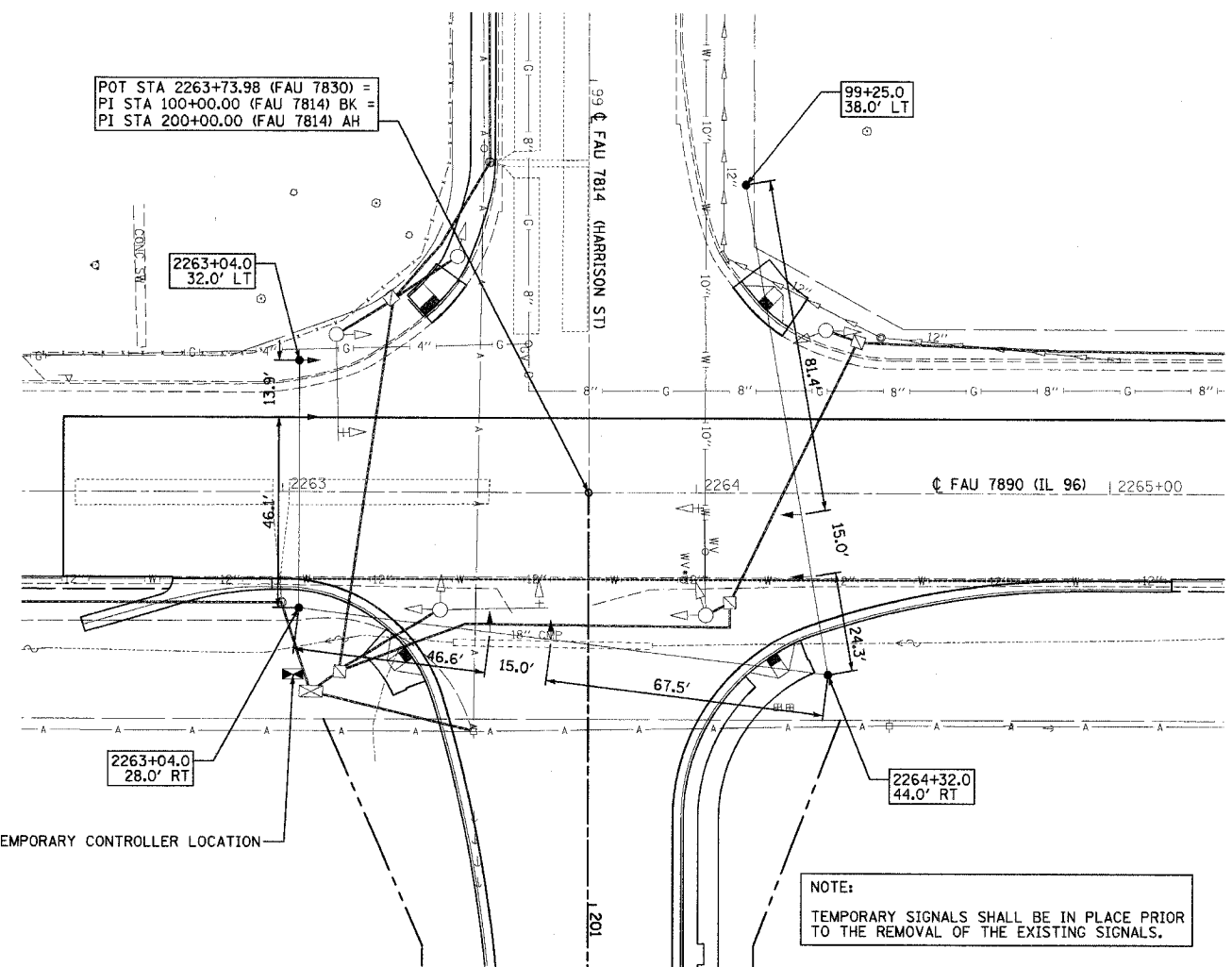


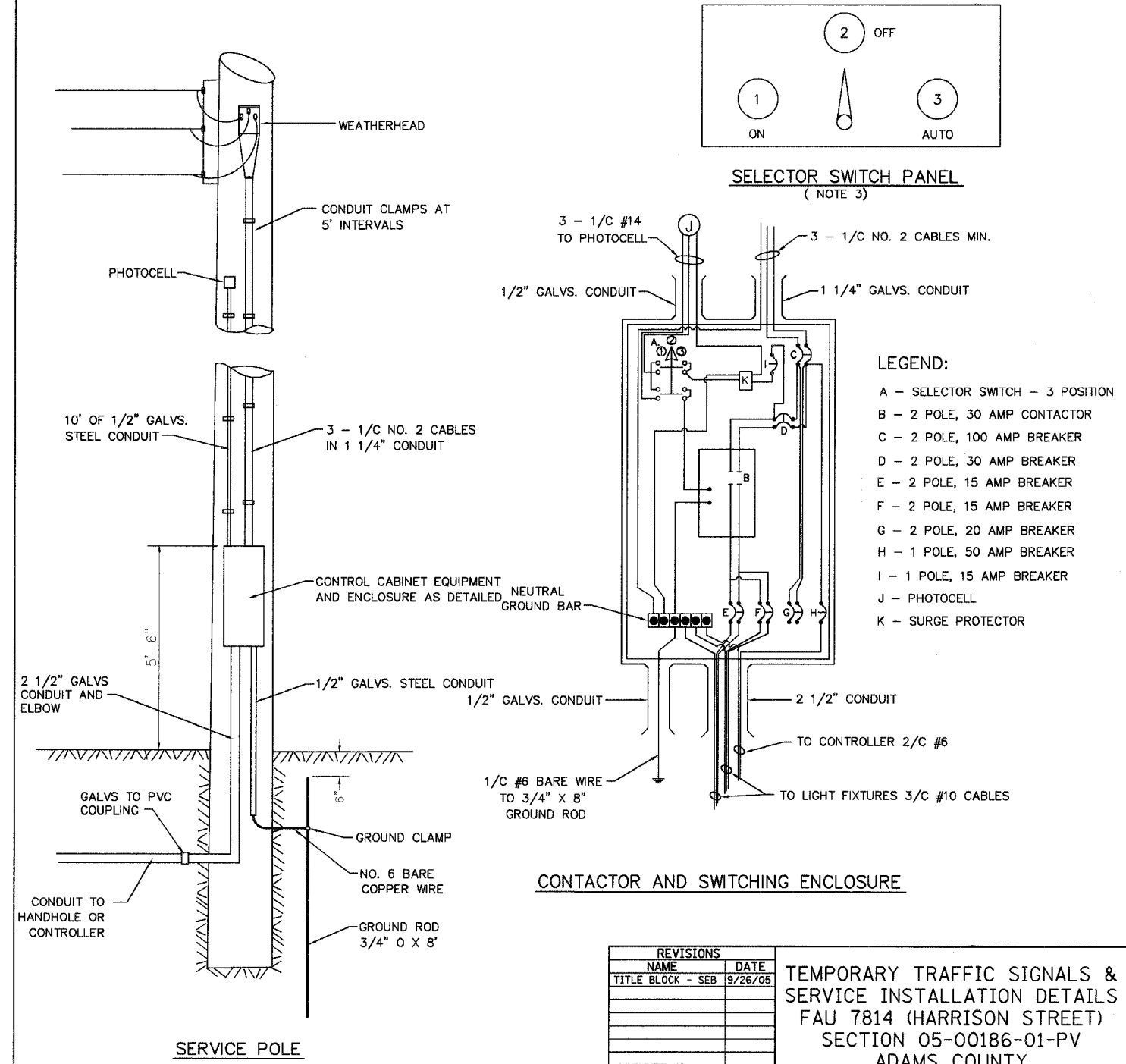
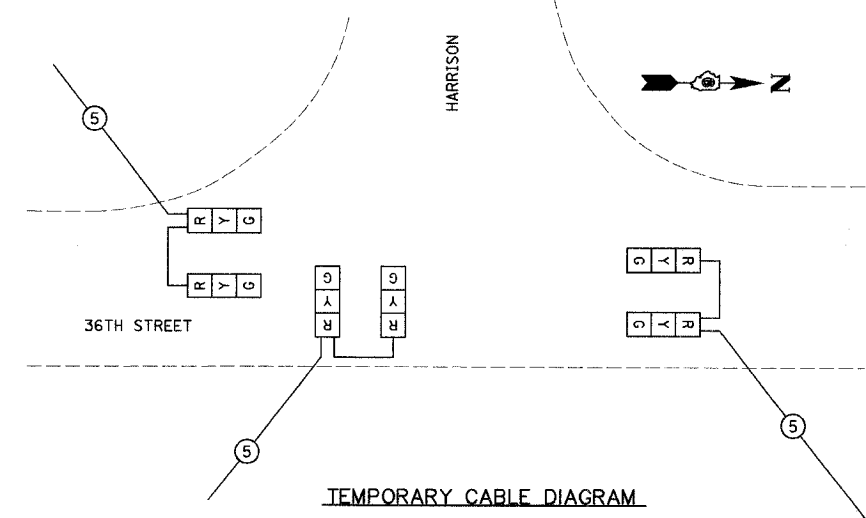
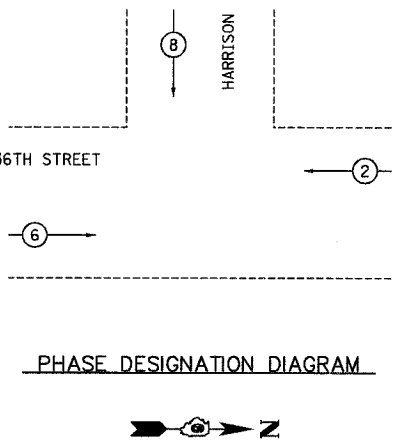
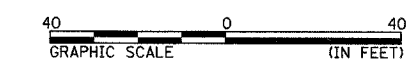
F.A.U. RTE.	SECTION	COUNTY	TOTAL SHEETS	SHEET NO.
7814	05-00186-01-PV	ADAMS	78	39
STA.		TO STA.		
FED. ROAD DIST. NO.	ILLINOIS	FED. AID PROJECT		

NOTES AND SPECIFICATIONS:

1. THE SERVICE SHALL CONFORM TO A TYPE B SERVICE INSTALLATION EXCEPT THAT THE WEATHER PROOF BOX SHALL CONTAIN A 100 AMP BREAKER, A SELECTION SWITCH, A 2 POLE 30 AMP BREAKER, A 2 POLE 30 AMP CONTACTOR, AN ATTACHED PHOTO CELL AND OTHER MISCELLANEOUS ITEMS AS SHOWN.
2. ALL ENCLOSURES SHALL BE NEMA TYPE 4 ALUMINUM ALLOY WEATHER PROOF BOX. THE ENTIRE FRONT SHALL BE A RIGID, HINGED DOOR OF THE SAME MATERIAL AND HAVE LOCKING PROVISIONS. THE CITY OF QUINCY SHALL PROVIDE A "MASTER" LOCK WITH KEY. MOUNTING HARDWARE SHALL BE CORROSION RESISTANT AND NO HARDWARE SHALL PROTRUDE THROUGH THE BACK OF THE ENCLOSURE.
3. CONTROL CABINET SHALL HAVE MINIMUM INSIDE DIMENSIONS OF 18" X 12" X 6". CABINET AND MATERIALS SHALL COMPLY WITH SECTION 1086 OF THE STANDARD SPECIFICATIONS FOR ROAD AND BRIDGE CONSTRUCTION.
4. SELECTOR SWITCH SHALL HAVE MARKED POSITIONS WITH METAL OR ENGRAVED PLASTIC NAME PLATE AS SHOWN.



PHASE	I	II	III	IV	V	VI	VII	VIII
MOVEMENT		←				→		↓
CONCURRENT MOVEMENT PERMITTED		6				2		4



REVISIONS	
NAME	DATE
TITLE BLOCK - SEB	9/26/05

TEMPORARY TRAFFIC SIGNALS & SERVICE INSTALLATION DETAILS
FAU 7814 (HARRISON STREET)
SECTION 05-00186-01-PV
ADAMS COUNTY

SCALE: 1"=20'
DATE: 9/12/05
DRAWN BY: SEB
CHECKED BY: SRW