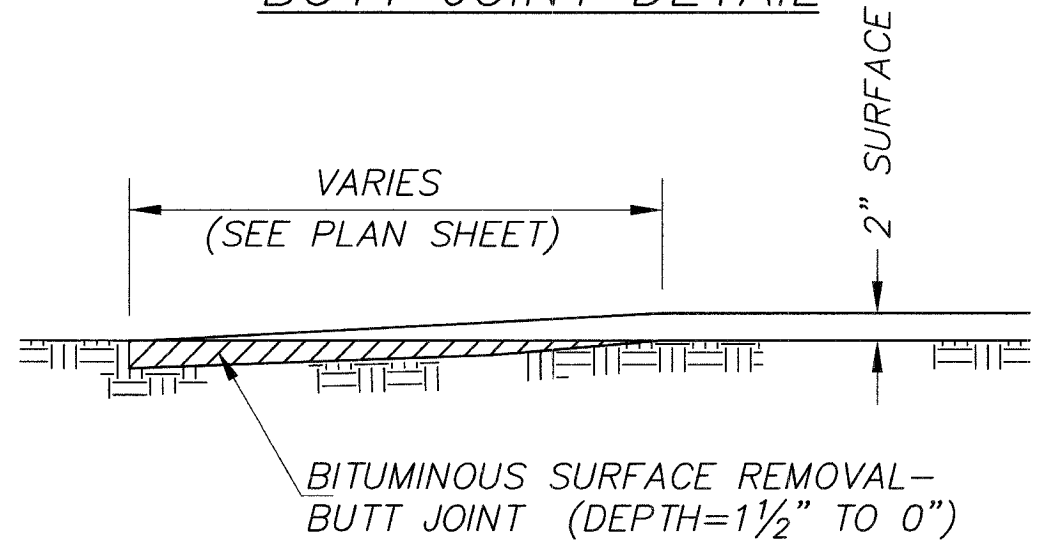


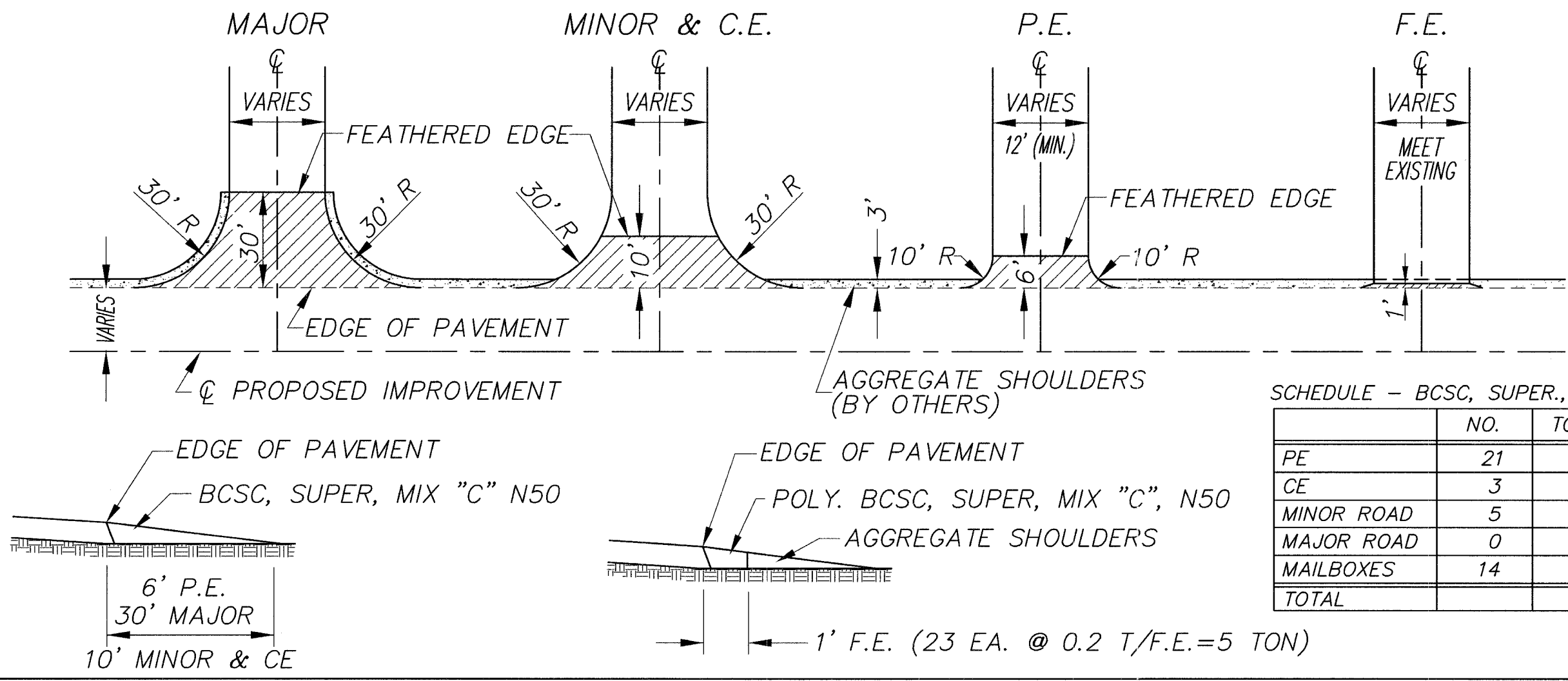
COUNTY	ROUTE	SECTION	TOTAL SHEETS	SHEET NO.
ADAMS	FAS 592	06-00196-00-RS	9	9
BUTT JOINT DETAIL				
SIDE ROAD & ENTRANCE DETAILS				

BUTT JOINT DETAIL



INTERSECTION DETAILS

ENTRANCE DETAILS



SCHEDULE - BCSC, SUPER., MIX "C" N50

	NO.	TONS/	TONS
PE	21	2	42
CE	3	9	27
MINOR ROAD	5	9	45
MAJOR ROAD	0	15	0
MAILBOXES	14	3	42
TOTAL			156