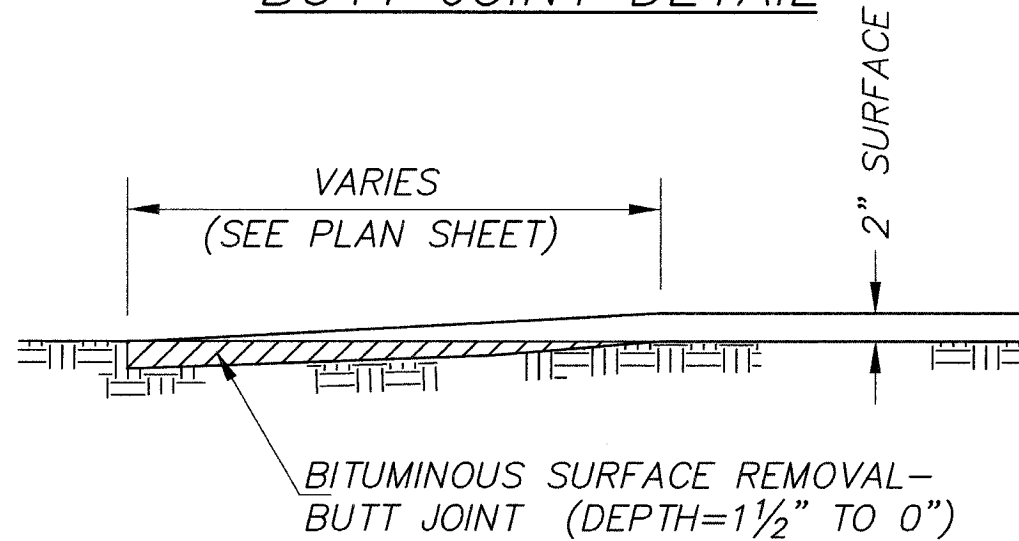


COUNTY	ROUTE	SECTION	TOTAL SHEETS	SHEET NO.
ADAMS	FAS 589	06-00195-00-RS	16	16
BUTT JOINT DETAIL				
SIDE ROAD & ENTRANCE DETAILS				
PROJECT NO. RS-589(103)				

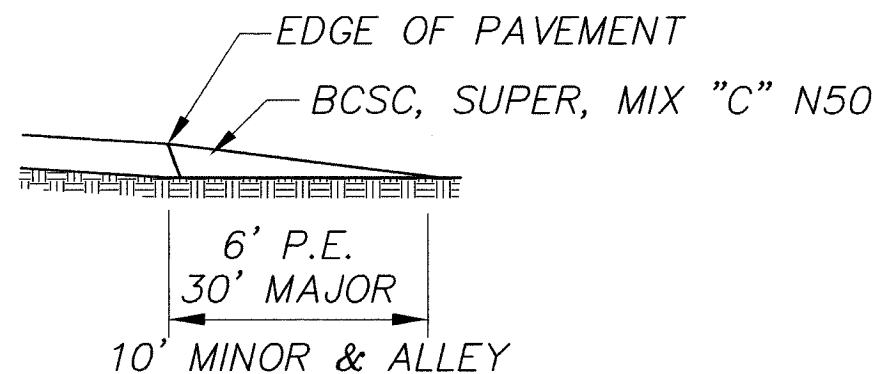
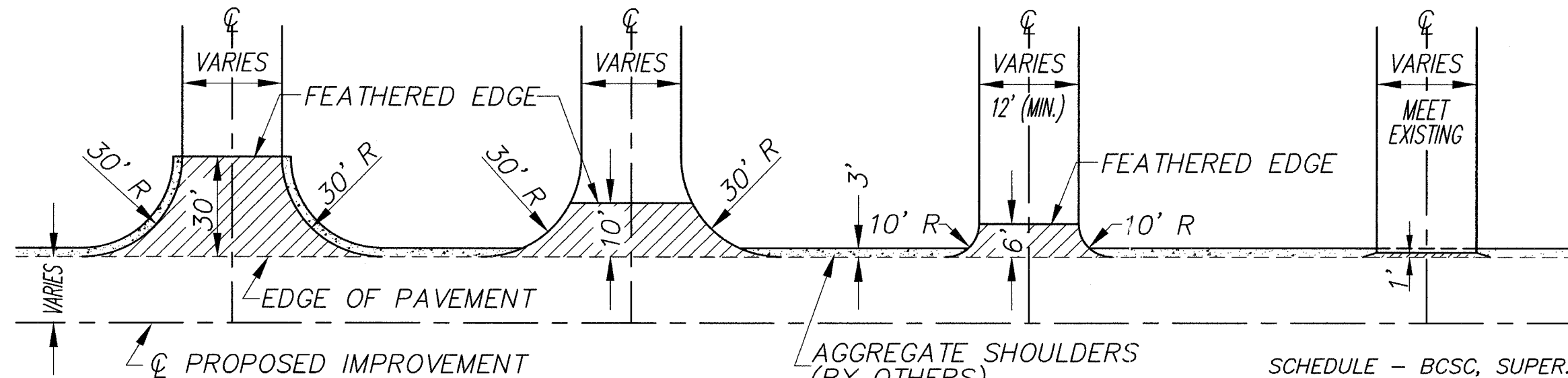
BUTT JOINT DETAIL



INTERSECTION DETAILS

MAJOR

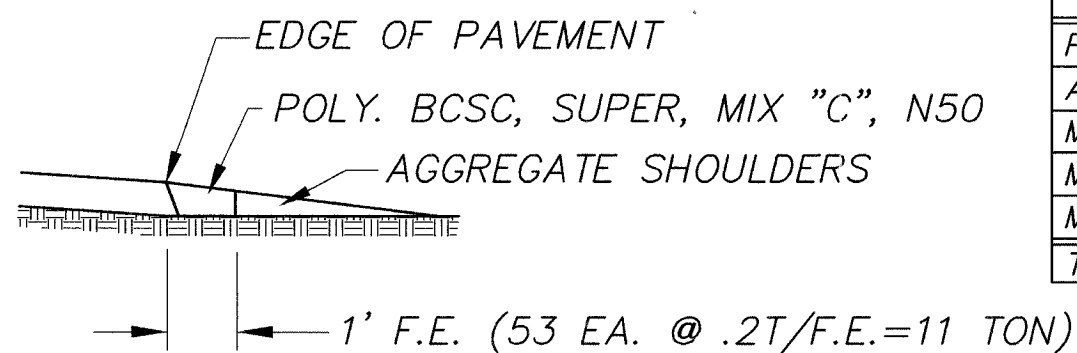
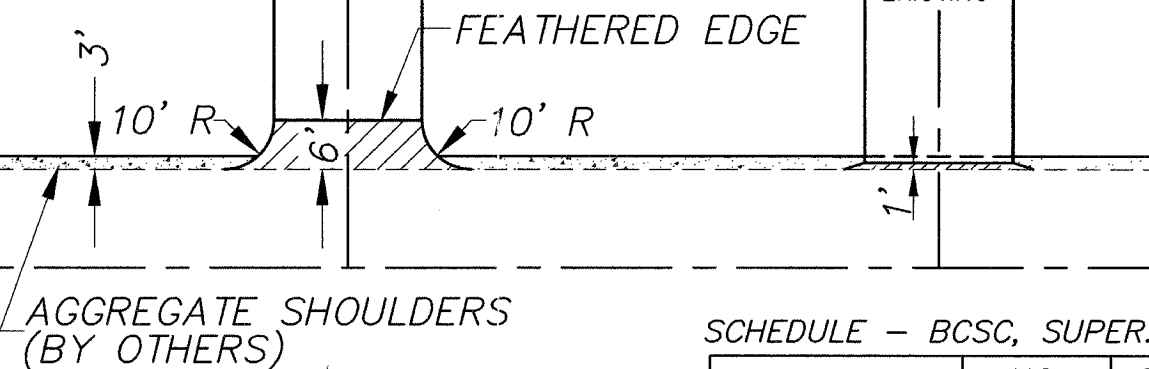
MINOR & ALLEY



ENTRANCE DETAILS

P.E.

F.E.



SCHEDULE - BCSC, SUPER., MIX "C" N50

	NO.	TONS/	TONS
PE	36	2	72
ALLEY	3	9	27
MINOR ROAD	10	9	90
MAJOR ROAD	6	15	90
MAILBOXES	25	3	75
TOTAL			354