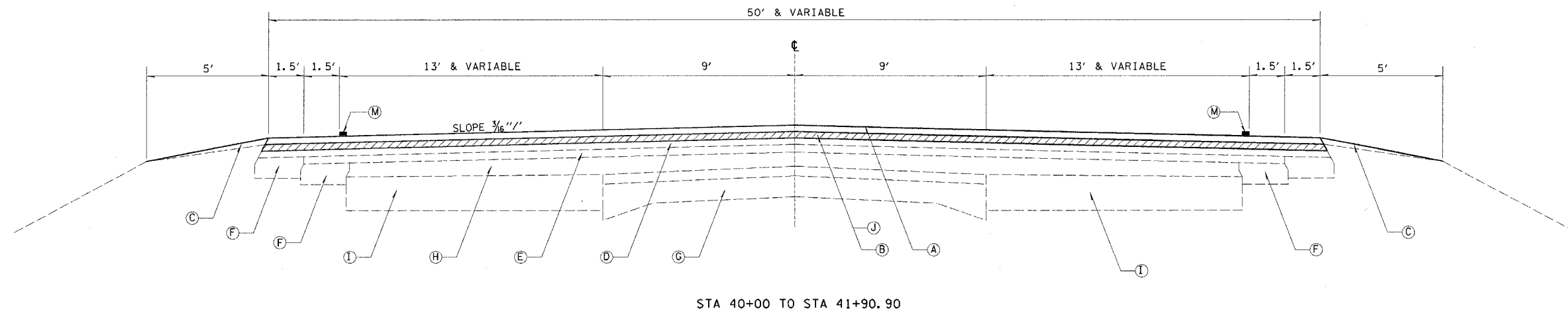


district 3/3/2006  
 c:\projects\94867\d\05503po.dgn

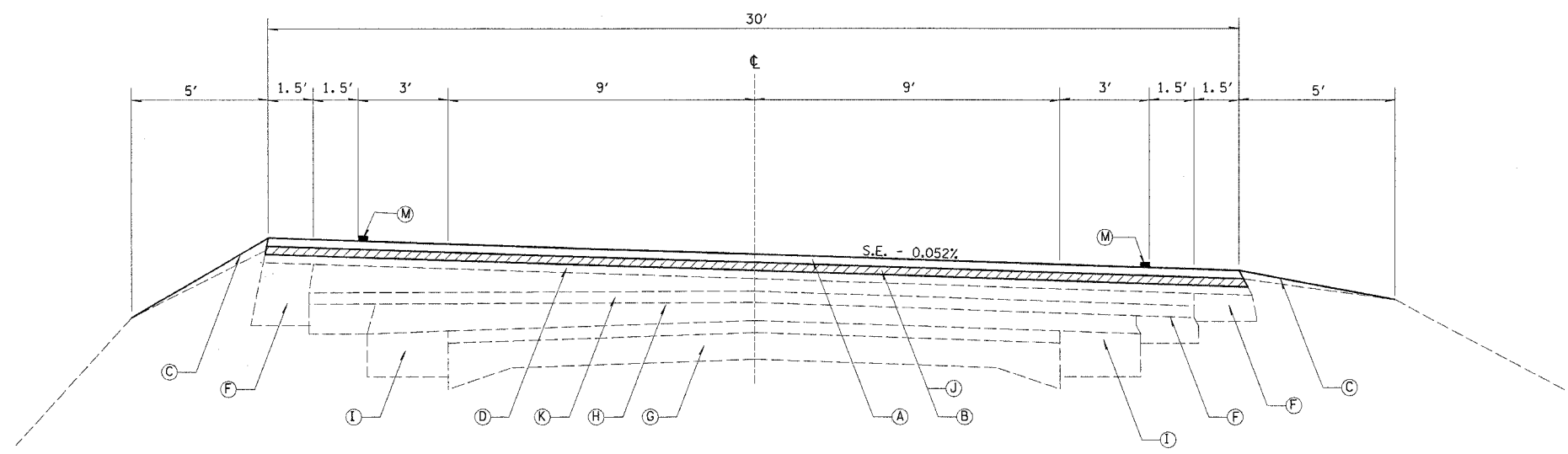
TYP 2

FAP ATE.	SECTION	COUNTY	TOTAL SHEETS	SHEET NO.
116	12IRS-3 122RS-4	JASPER	31	4
FED. ROAD DIST. NO. 7		ILLINOIS	FED. AID PROJECT NO.	
CONTRACT NO. 94867				



STA 40+00 TO STA 41+90.90

- A. BITUMINOUS CONCRETE SURFACE COURSE, MIX "C", N70 (1 1/2")
- B. LEVELING BINDER (MACHINE METHOD) SUPERPAVE, N70 (3/4")
- C. AGGREGATE SHOULDERS, TYPE B
- D. EXISTING SURFACE COURSE (VARIABLE DEPTH)
- E. EXISTING BITUMINOUS RESURFACING (3")
- F. EXISTING BITUMINOUS SHOULDERS (CONSTRUCTED IN ACCORDANCE WITH STD. 2239 EXCEPT WIDTH IS 18")
- G. EXISTING PCC PAVEMENT (9"-6"-9")
- H. EXISTING BITUMINOUS RESURFACING (5"-7")
- I. EXISTING PCC WIDENING (9")
- J. BITUMINOUS SURFACE REMOVAL (VARIABLE DEPTH)
- K. EXISTING RESURFACING
- L. EXISTING BITUMINOUS CONCRETE BASE COURSE WIDENING (9")
- M. PAINT PAVEMENT MARKING - LINE 4"



STA 371+16.20 TO STA 379+44.50

REVISIONS	
NAME	DATE

ILLINOIS DEPARTMENT OF TRANSPORTATION

**TYPICAL SECTIONS**

SCALE: VERT. \_\_\_\_\_  
 HORIZ. \_\_\_\_\_

DATE \_\_\_\_\_ DRAWN BY \_\_\_\_\_  
 CHECKED BY \_\_\_\_\_