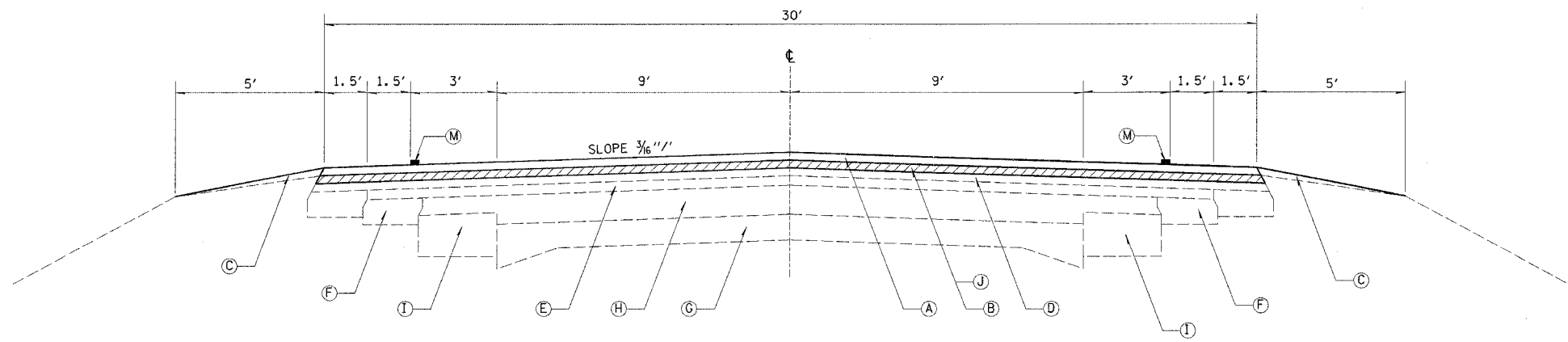


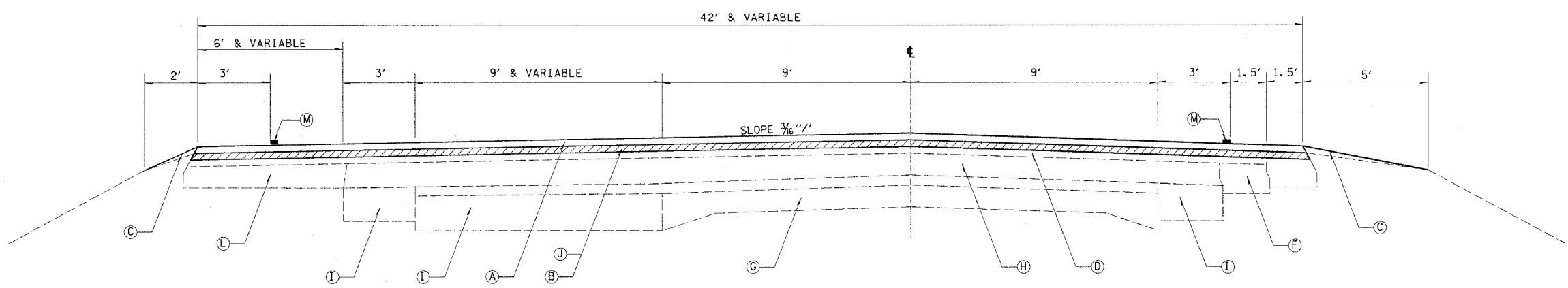
district
3/3/2006
c:\projects\94867\d05503pa.dgn
TYP 1

FAP NO.	SECTION	COUNTY	TOTAL SHEETS	SHEET NO.
116	121RS-3 122RS-4	JASPER	31	5
FED. ROAD DIST. NO. 7		ILLINOIS	FED. AID PROJECT NO.	
CONTRACT NO. 94867				



- STA 41+90.90 TO 50+35.90
- STA 50+89.10 TO 99+80.50
- STA 101+02.50 TO 132+03.20
- STA 132+08.40 TO 135+61.10
- STA 135+79.50 TO 245+33.80
- STA 245+33.60 TO 251+20.00
- STA 256+20.00 TO 293+63.80
- STA 293+72.40 TO 371+16.20
- STA 379+57.80 TO 582+94.00

- A. BITUMINOUS CONCRETE SURFACE COURSE, MIX "C", N70 (1 1/2")
- B. LEVELING BINDER (MACHINE METHOD) SUPERPAVE, N70 (3/4")
- C. AGGREGATE SHOULDERS, TYPE B
- D. EXISTING SURFACE COURSE (VARIABLE DEPTH)
- E. EXISTING BITUMINOUS RESURFACING (3")
- F. EXISTING BITUMINOUS SHOULDERS (CONSTRUCTED IN ACCORDANCE WITH STD. 2239 EXCEPT WIDTH IS 18")
- G. EXISTING PCC PAVEMENT (9"-6"-9")
- H. EXISTING BITUMINOUS RESURFACING (5"-7")
- I. EXISTING PCC WIDENING (9")
- J. BITUMINOUS SURFACE REMOVAL (VARIABLE DEPTH)
- K. EXISTING RESURFACING
- L. EXISTING BITUMINOUS CONCRETE BASE COURSE WIDENING (9")
- M. PAINT PAVEMENT MARKING - LINE 4"



STA 251+20 TO STA 256+20

REVISIONS	
NAME	DATE

ILLINOIS DEPARTMENT OF TRANSPORTATION
TYPICAL SECTIONS
SCALE: VERT. _____
HORIZ. _____
DATE _____ DRAWN BY _____
CHECKED BY _____