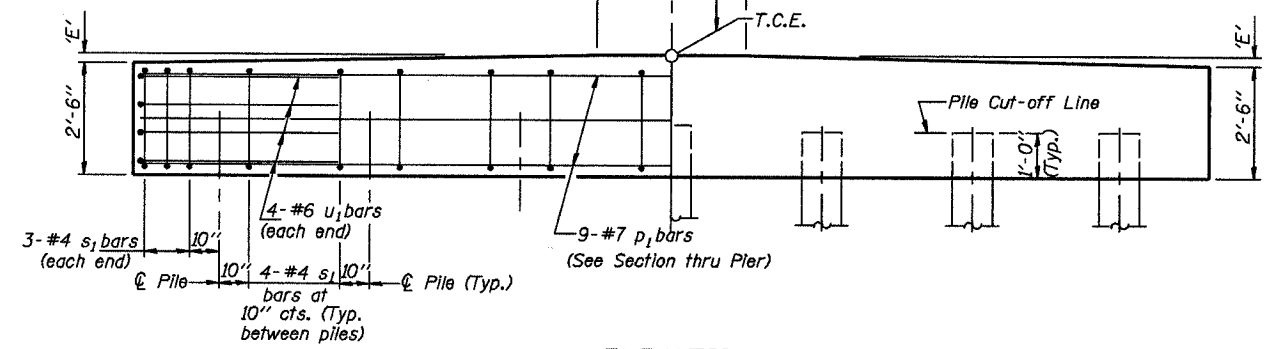
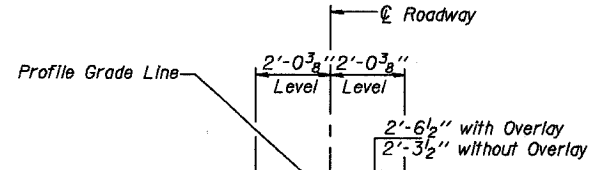


PLAN
(D' = Designated Skew Angle)



ELEVATION

DIMENSION 'E'

GRADE	'D'=0°		'D'=5°		'D'=10°	
	UPGRADE END	DOWNGRADE END	UPGRADE END	DOWNGRADE END	UPGRADE END	DOWNGRADE END
0%	2 3/8"	2 3/8"	2 3/8"	2 3/8"	2 3/8"	2 3/8"
Over 0% to 1%	2 3/8"	2 3/8"	2 1/4"	2 3/8"	2 1/8"	2 1/2"
Over 1% to 2%	2 3/8"	2 3/8"	2 1/8"	2 1/2"	1 7/8"	2 3/4"
Over 2% to 3%	2 3/8"	2 3/8"	2"	2 5/8"	1 5/8"	3"
Over 3% to 4%	2 3/8"	2 3/8"	1 7/8"	2 3/4"	1 3/8"	3 1/4"

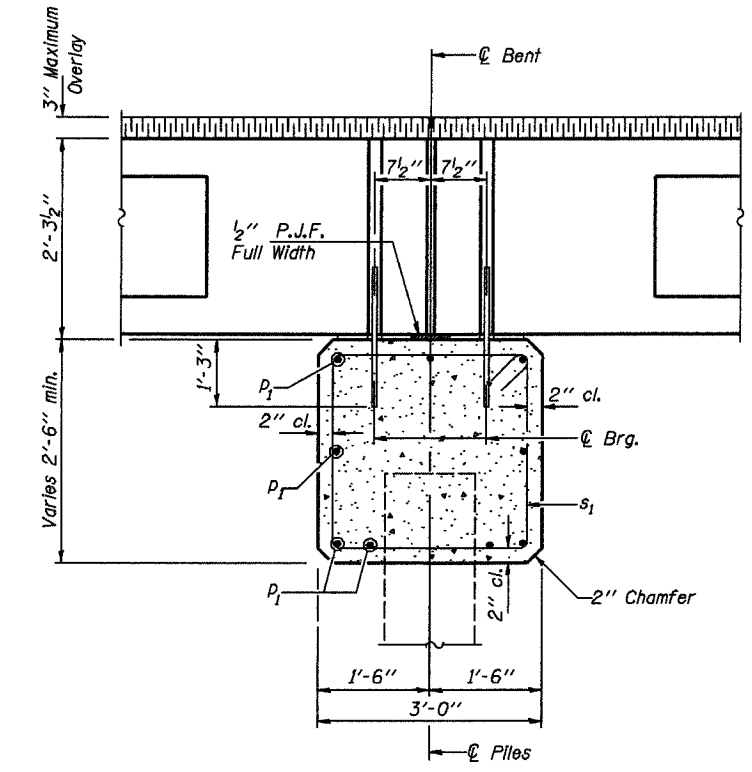
MAXIMUM PILE LOADS

SPAN	TONS
40'	33
50'	38
60'	43

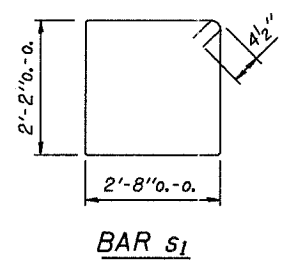
Longer of Either Span Supported by Pier.

DESIGN STRESSES

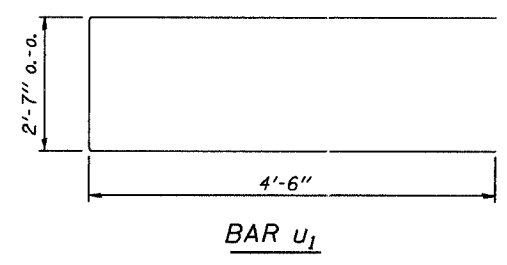
f'c = 3,500 psi
fy = 60,000 psi



SECTION THRU PIER
(At Right Angles)



BAR s1



BAR u1

BILL OF MATERIAL FOR ONE PIER

Bar	No.	Size	Length	Shape
p1	9	#7	29'-2"	—
s1	30	#4	10'-5"	□
u1	8	#6	11'-7"	□
Concrete Structures			8.6	Cu. Yds.
Reinforcement Bars			880	Lb.

NOTE

Reinforcement bars shall conform to the requirements of A.A.S.H.T.O. M-31 or M-322, Grade 60.

P.P.C. DECK BEAMS		
PILE BENT PIER		
28' RDWY.	27" BMS.	'D'=0°, 5° OR 10°
STANDARD CP-2827-10		

Illinois Department of Transportation
 PASSED APRIL 4, 2005
 Thomas S. Romagosa
 Engineer of Bridge Design
 APPROVED APRIL 4, 2005
 Ralph E. Anderson
 Engineer of Bridges and Structures