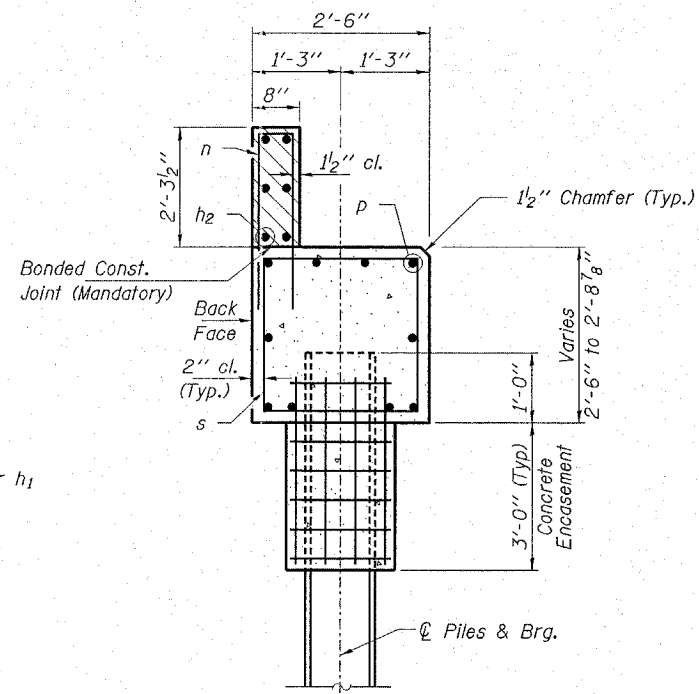
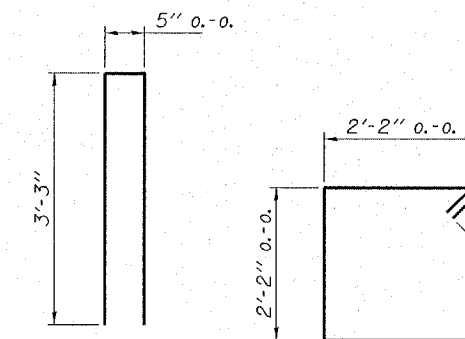


PLAN



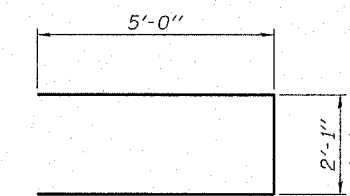
SECTION A-A

Hatched area to be poured after beams are in place.

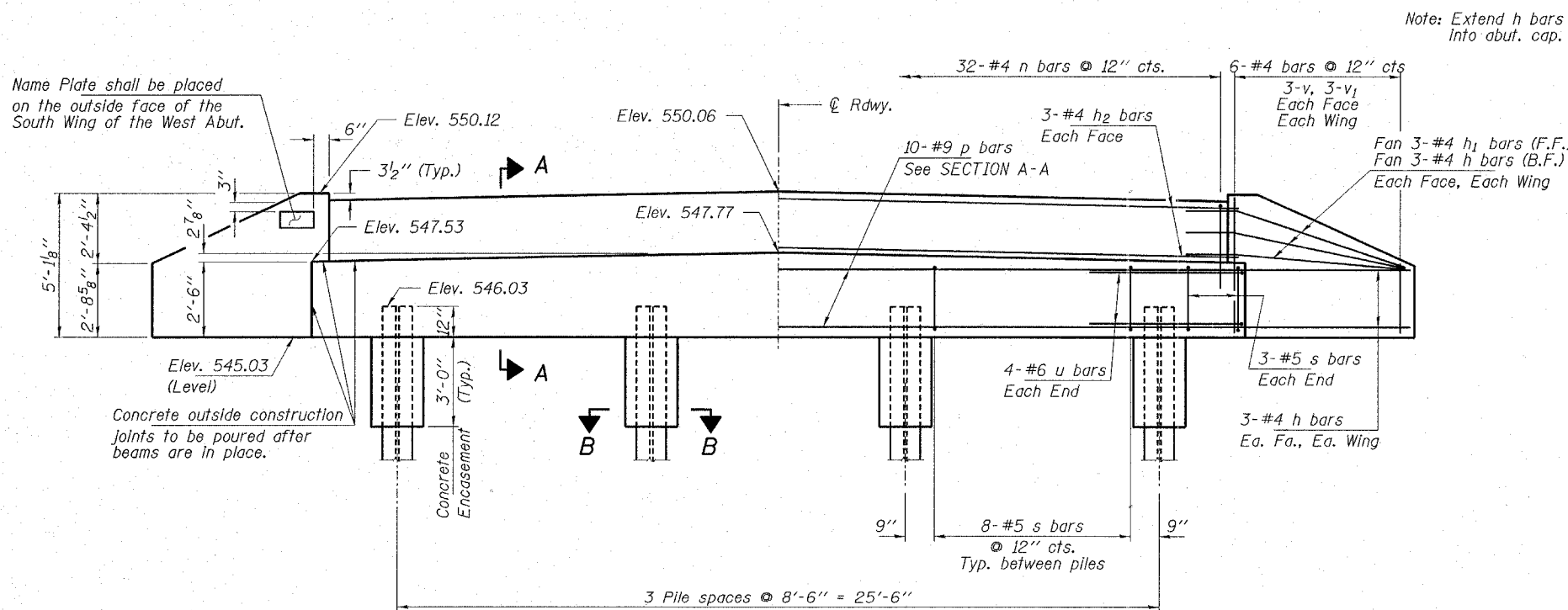


BAR n

BAR s



BAR u

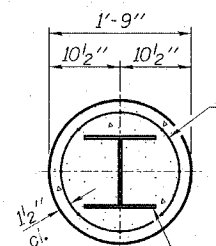


ELEVATION
(Looking West)

Name Plate shall be placed on the outside face of the South Wing of the West Abut.

Concrete outside construction joints to be poured after beams are in place.

Note: Extend h bars into abut. cap.



SECTION B-B

Welded Wire Fabric 6x6-W4.0 x W4.0 weighing 58#/100 sq. ft. The cost of Excavation and Reinforcement is incidental to the cost of Concrete Encasement. Forms for Encasement may be omitted when soil conditions will permit.

Steel Pile HP 10x42

BILL OF MATERIAL - W. ABUT.

BAR	NO.	SIZE	LENGTH	SHAPE
h	18	#4	6'-6"	—
h1	6	#4	5'-6"	—
h2	6	#4	31'-6"	—
n	32	#4	6'-11"	□
p	10	#9	31'-2"	—
s	30	#5	9'-7"	□
u	8	#6	12'-1"	—
v	12	#4	4'-0"	—
v1	12	#4	2'-6"	—
Concrete Structures			Cu. Yd.	11.0
Reinf. Bars, Epoxy Coated			Pound	1,930
Name Plates			Each	1
Steel Piles HP10x42			Foot	100
Driving Steel Piles			Foot	100
Concrete Encasement			Cu. Yd.	1.0

All bars shall be Epoxy Coated.

PILE DATA

Type _____ Steel HP 10x42
 No. Req'd. _____ 4
 Capacity _____ Drive to Refusal
 Est. Length _____ 25 Feet/Pile

HLR
 Rice, Berry and Associates
 A Division of Hampton,
 Lenzi and Renwick, Inc.
 Civil & Structural Engineers
 3085 Stevenson Drive
 Suite 201
 Springfield, Illinois 62703
 217-546-3400
 Account Number 12-34-0002-1
 Date: 03/17/06
 P.O. Box 1036
 DuQuoin, Illinois 62832
 618-790-4637
 DESIGNED: S.M.S. CHECKED: S.W.M. DRAWN: D.T.M.

WEST ABUTMENT
SECTION 02-00104-00-BR
F.A.S. 712 / C.H. 24
FAYETTE COUNTY
STR. NO. 026-3431 / STATION 102+50