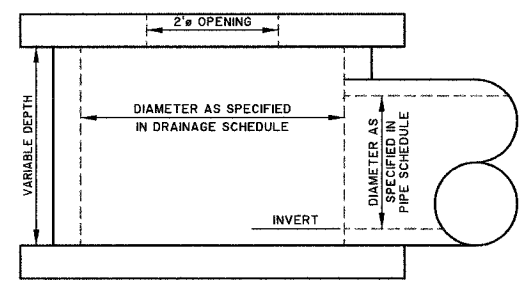
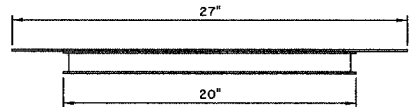
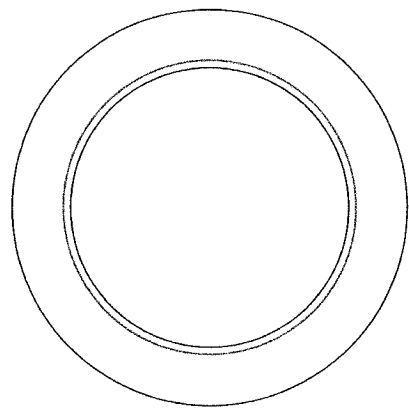


ROUTE NO.	SECTION	COUNTY	TOTAL SHEETS	SHEET NO.
S.B.L. F.A.	05-0007-03-SP	EFFINGHAM	54	26
FED. ROAD DIST. NO. 7		ILLINOIS	FED. AID PROJECT-	
CONTRACT #95473				

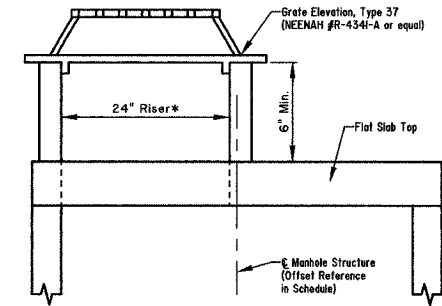
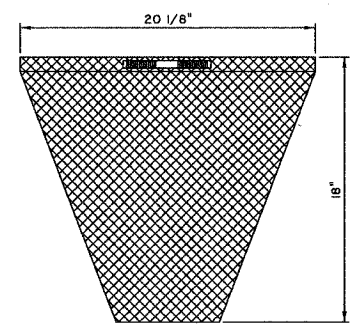


**DETAIL OF RESTRICTED DEPTH MANHOLE**

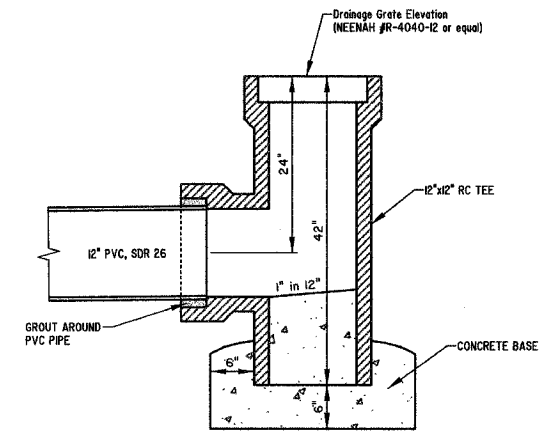


**GENERAL NOTES:**  
**FRAME:** Top flange fabricated from 1/8" flat stock. Base rim fabricated from 1 1/2" x 1/2" x 1/8" channel. All domestic steel conforming to ASTM-A36.  
**SEDIMENT BAG:** Bag fabricated from 4 oz./sq.yd. non-woven polypropylene geotextile reinforced with polyester mesh. Bag secured to base rim with a stainless steel strap and lock.

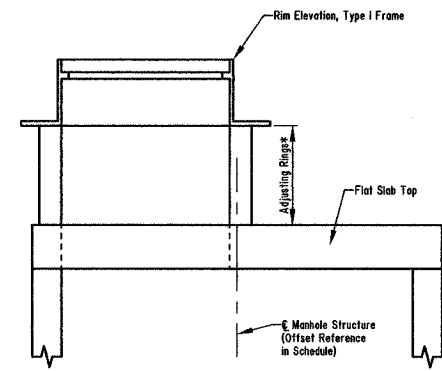
**INLET PROTECTION FILTER**



\* Incidental to the cost of the Manhole structure  
**TYPE 37 GRATE**



**GRATED INLET (SPECIAL)**



\* Incidental to the cost of the Manhole structure  
**TYPE I FRAME & LID**

**MILANO & GRUNLOH ENGINEERS, LLC**  
 84 WEST WASHINGTON  
 P.O. BOX 897  
 EFFINGHAM, ILLINOIS 62401  
 PHONE: (217) 347-7262  
 (800) 677-2754  
 FAX #: (217) 342-3433

STORM SEWER DETAILS  
 TECHNOLOGY DRIVE, SECTION 3  
 CITY OF EFFINGHAM, ILLINOIS

File name: S:\DWG\05\05008.dwg Quantities.dwg  
 Plot date: 03/23/06 at 12:00