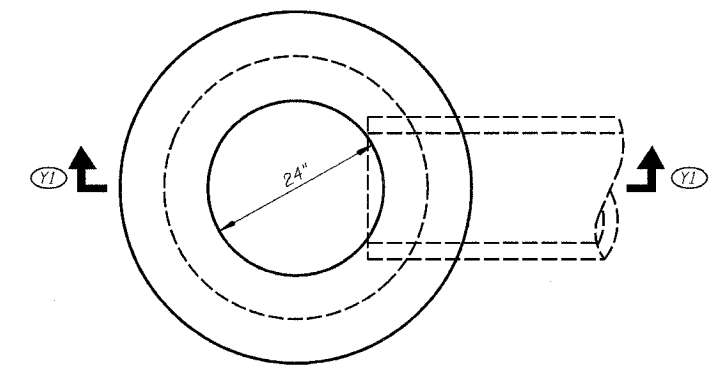


F.A.U. RTE.	SECTION	COUNTY	TOTAL SHEETS	SHEET NO.
9315	00-00032-00-RP	MONROE	49	6
STA.		TO STA.		
FED. ROAD DIST. NO.		ILLINOIS	FED. AID PROJECT	
CONTRACT NO. 97264				

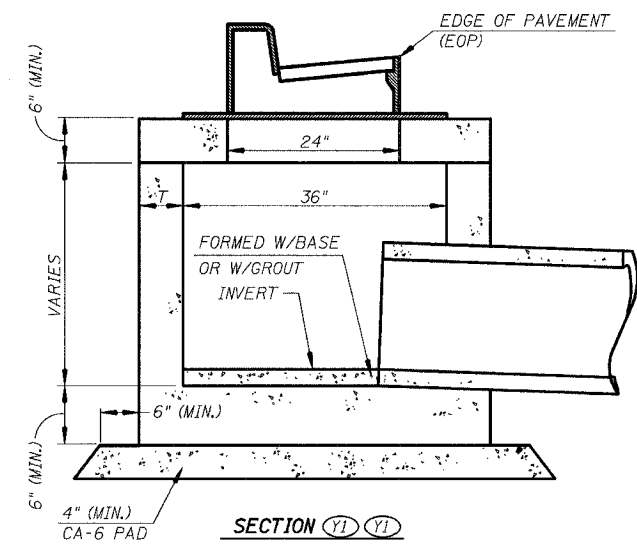
STORM SEWER SCHEDULE

LOCATION	STA - STA	*GRANULAR BACKFILL TON	STORM SEWER REMOVAL 12 INCH FOOT	REMOVING INLETS EACH	SANITARY MANHOLES TO BE ADJUSTED EACH	STORM SEWERS, CLASS B			STORM SEWER WATERMAIN REQUIREMENTS 12 INCH FOOT	INLETS, TYPE A		INLETS, TYPE B			8" PIPE DRAIN W/8" RISER CONN. FOOT
						TYPE 1 12 INCH FOOT	TYPE 2 12 INCH FOOT	18 INCH FOOT		TYPE 3V F. & G.	SPECIAL F. & G.	TYPE 1 FR. & CL. LID EACH	TYPE 3V F. & G.	SPECIAL F. & G.	
MOORE STREET															
MR-19 TO MR-20	RT. 113+75 - 114+25	20.7				45.8				1				1	
ML-3 TO PCBC 7'x4'	LT. 114+17	10.9					10.9						1		
MR-20 TO DBL PCBC 10'x6'	RT. 114+25	14.6					21.8								
ML-4 TO DBL PCBC 10'x6'	LT. 114+45, 28, 1162'				1										
MMHR-1 TO DBL PCBC 10'x6'	RT. TO BE SET IN FIELD	19.3					22.8					1			
MR-21 TO DBL PCBC 10'x6'	RT. 114+56.75						8.0			1					
ML-5 TO DBL PCBC 10'x6'	RT. 114+73.85 - 114+92.17	50.5													
ML-6 TO DBL PCBC 10'x6'	LT. 114+75									1					
ML-7 TO DBL PCBC 10'x6'	LT. 114+78.42									1					
MR-22 TO DBL PCBC 10'x6'	LT. 114+83.64					2.4				1					
MR-23 TO DBL PCBC 10'x6'	RT. 114+75.19									1					
MR-24 TO MR-25	RT. 114+92.46, 57.94'			1											
MR-25 TO DBL PCBC 10'x6'	RT. 114+96.02					2.0				1					
MMHR-2 TO DBL PCBC 10'x6'	RT. 115+00	2.9				3.0							1		8.0
MR-26 TO DBL PCBC 10'x6'	LT. 115+59.97, 0.55'				1										
TOTALS:		81	51	1	3	54	64	12	24	8	1	2	2	2	8

* PLAN CALL OUTS SHOW CUBIC YARD QUANTITY AT EACH LOCATION. TONNAGE SHOWN HERE IS FOR CONTRACTOR'S INFORMATION ONLY (BASED ON 2.05 TONS/CCU. YD.)



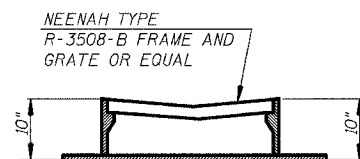
PLAN



SECTION Y1-Y1

**INLET, TYPE B
DETAILS**

(CONTRACTOR MAY OPT TO USE THIS DETAIL TO MODIFY STANDARD 602306 OR STANDARD 602306 ITSELF, WHEN THE DEPTH IS ADEQUATE FOR A CORBEL)



**SPECIAL FRAME & GRATE
DETAILS**

CADD FILE: /1690/FBschnd_1690.dgn
PLOTTED: 10/24/2005

H.M. & G., NO. 4690

ILLINOIS DEPARTMENT OF TRANSPORTATION

**STORM SEWER
SCHEDULE & DETAILS**

SCALE _____ DRAWN BY _____
DATE _____ CHECKED BY _____