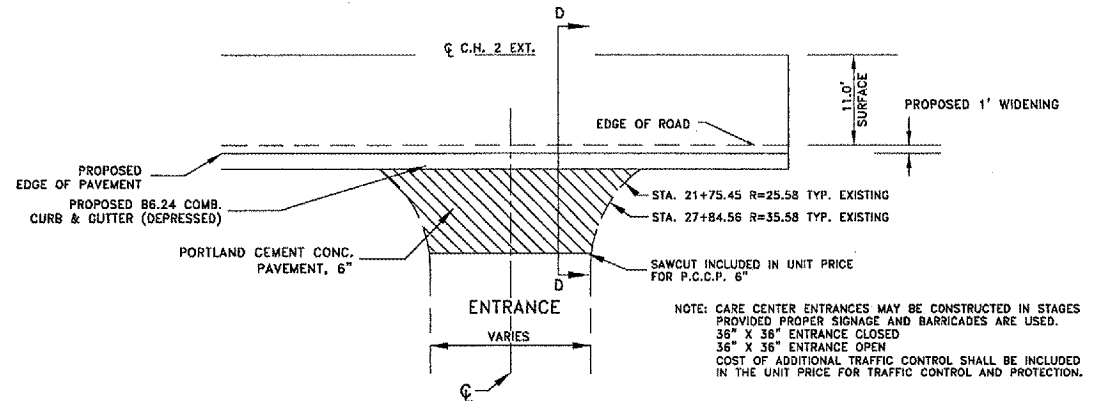
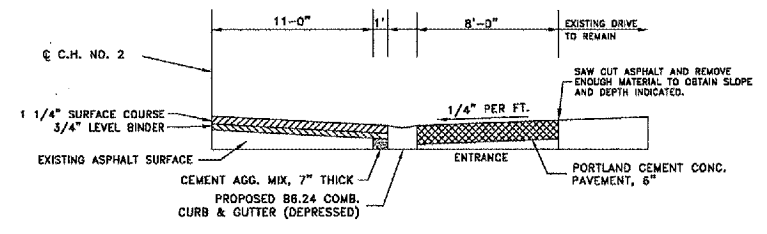


ROUTE NO	SECTION	COUNTY	TOTAL SHEETS	SHEET NO.
FAU 9319 C.H. 2 EXT	04-00042 -01-WR	MONROE	24	11

FEDERAL AID PROJECT
CONTRACT NO. 97275

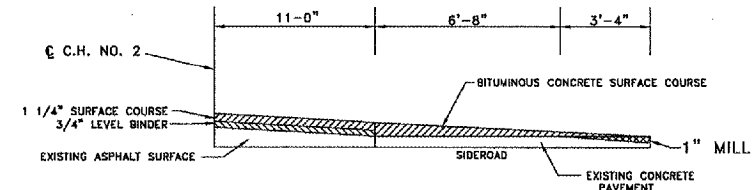
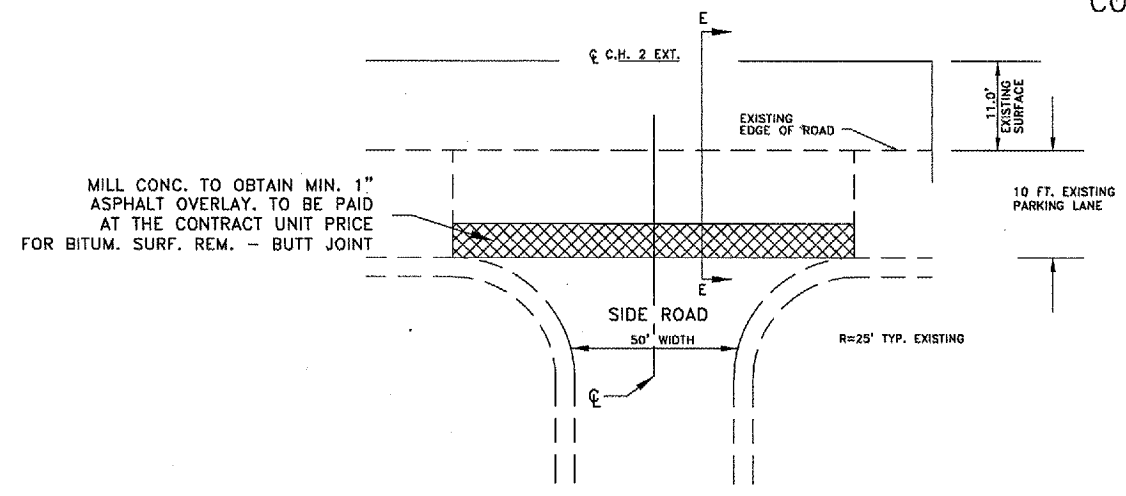


NOTE: CARE CENTER ENTRANCES MAY BE CONSTRUCTED IN STAGES PROVIDED PROPER SIGNAGE AND BARRICADES ARE USED.
36" X 36" ENTRANCE CLOSED
36" X 36" ENTRANCE OPEN
COST OF ADDITIONAL TRAFFIC CONTROL SHALL BE INCLUDED IN THE UNIT PRICE FOR TRAFFIC CONTROL AND PROTECTION.



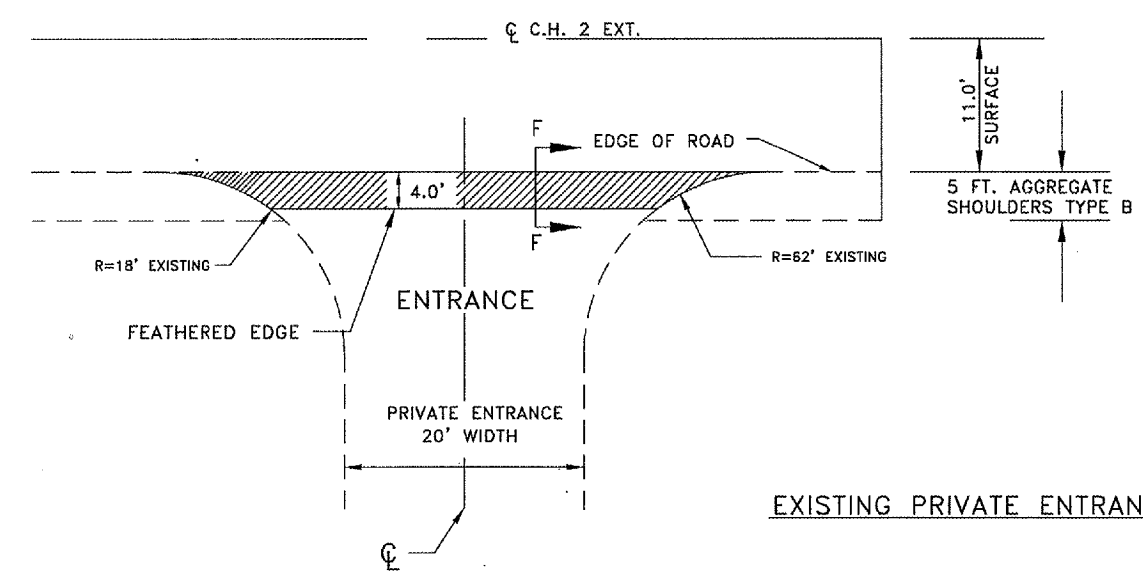
SECTION D-D

EXISTING CARE CENTER ENTRANCE STA. 21+75.45 24' WIDE
EXISTING CARE CENTER ENTRANCE STA. 27+84.56 35' WIDE

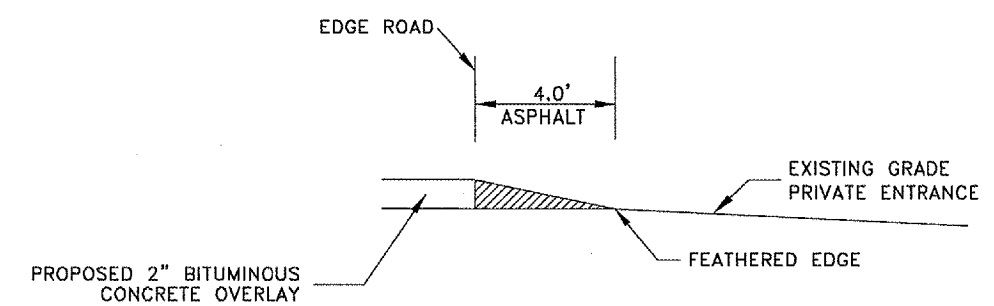


SECTION E-E

EXISTING EAGLE COURT STA. 31+43 RT.



EXISTING PRIVATE ENTRANCE STA. 36+07 20' WIDE



SECTION F-F

SIDE ROAD/ENTRANCE DETAILS
HAMACHER STREET IMPROVEMENTS
SEC 04-00042-01-WR
CITY OF WATERLOO
MONROE COUNTY, IL

DRAWING FILE: S:\HAMACHER IMPROV\TYPICAL