

ROUTE NO	SECTION	COUNTY	TOTAL SHEETS	SHEET NO.
FAU 9319 C.H. 2 EXT	04-00042 -01-WR	MONROE	24	12

FEDERAL AID PROJECT  
CONTRACT NO. 97275

PAVEMENT MARKINGS

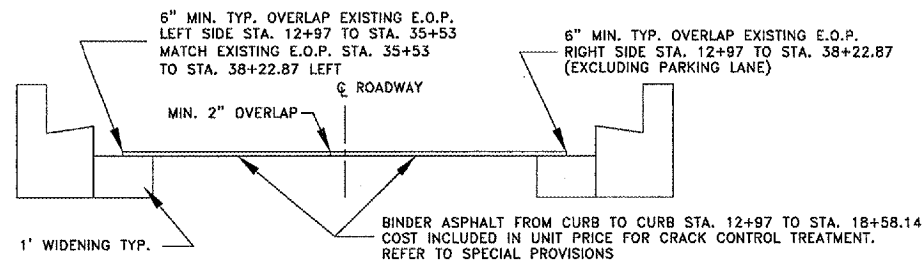
STATION	PAINT				THERMO
	SKIP-DASH 10' STRIPE 30' DASH YELLOW 4" (FT)	SOLID		SOLID WHITE 6" (FT)	
		YELLOW 4" (FT)	WHITE 4" (FT)		
CENTERLINE	NO PASSING ZONE LT RT	EDGE LINES	CROSSWALKS		
8+45.17 TO 9+00	14	---	---	55	98
9+00 TO 10+65	41	---	---	330	---
10+65 TO 11+20	14	---	---	110	---
11+20 TO 12+17	24	---	---	97	126
12+17 TO 17+57	135	---	---	1080	24
17+57 TO 18+58	25	---	---	202	---
18+58 TO 19+92	34	---	---	134	238
19+92 TO 21+52	40	---	---	320	33
21+52 TO 28+43	173	---	---	1382	---
28+43 TO 30+95	63	---	---	504	---
30+95 TO 31+91	24	---	---	95	160
31+91 TO 38+35	161	---	---	1288	---
38+35 TO 39+02.87	---	68	68	136	---
<b>SUBTOTALS</b>	<b>748</b>	<b>68</b>	<b>68</b>	<b>5734</b>	<b>679</b>
<b>TOTALS</b>		<b>6618</b>			<b>679</b>

DRAINAGE STRUCTURES

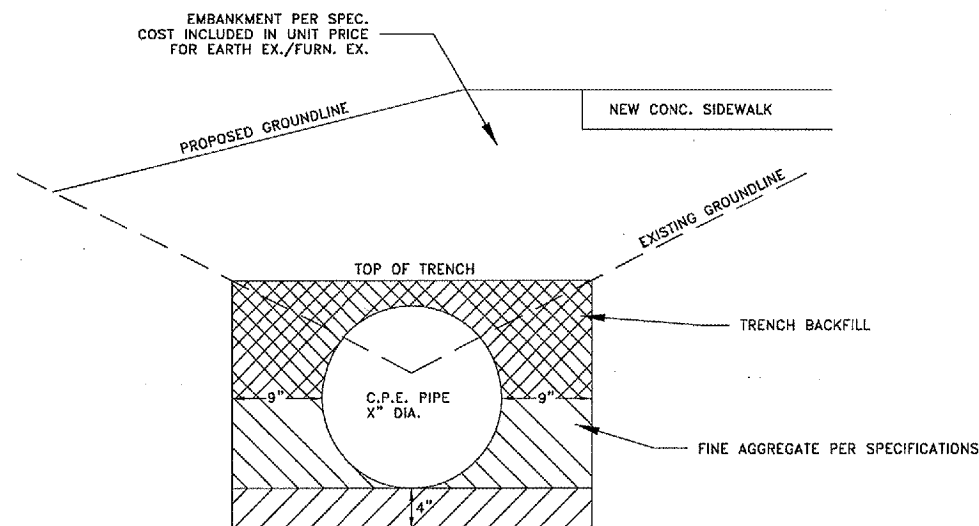
STRUCTURE	STATION	OFFSET	COMMENTS
A1	18+47.4	23.0' LT.	MANHOLE 4' DIA W/ FRAME & CLOSED LID
B1	18+09	23.0' LT.	TYPE 1 WYE 18" PIPE - 15" BRANCH
B1.1	18+00	12.0' LT.	INLET TY A W/ TY 3 FRAME & GRATE
B2	16+09	23.0' LT.	TYPE 1 WYE 18" PIPE - 12" BRANCH
B2.1	16+00	12.0' LT.	INLET TY A W/ TY 3V FRAME & GRATE
B3	14+34	23.0' LT.	TYPE 1 WYE 18" PIPE - 12" BRANCH
B3.1	14+25	12.0' LT.	INLET TY A W/ TY 3V FRAME & GRATE
B4	12+89.89	22.4' LT.	CONCRETE COLLAR
B5	11+89.89	21.76' LT.	MANHOLE 4' DIA W/ FRAME & CLOSED LID
B5.1	11+91.37	12.0' LT.	INLET TY A W/ TY 3V FRAME & GRATE
B6	11+37.64	21.25' LT.	INLET TY A W/ TY 8 GRATE
B6.1	11+43.48	14.72' LT.	INLET TY A W/ TY 3V FRAME & GRATE
C1	19+56.85	23.0' LT.	TYPE 1 WYE 18" PIPE - 12" BRANCH
C1.1	19+66	12.0' LT.	INLET TY A W/ TY 3V FRAME & GRATE
C2	21+27.8	23.0' LT.	MANHOLE 4' DIA W/ FRAME & CLOSED LID
C2.1	21+32.88	12.0' LT.	INLET TY A W/ TY 3V FRAME & GRATE
C3	22+14	23.0' LT.	MANHOLE 4' DIA W/ FRAME & CLOSED LID
C3.1	22+18	12.0' LT.	INLET TY A W/ TY 3V FRAME & GRATE
C4	24+85	23.0' LT.	TYPE 1 WYE 18" PIPE - 12" BRANCH
C4.1	24+94	12.0' LT.	INLET TY A W/ TY 3V FRAME & GRATE
C5	27+22	23.0' LT.	MANHOLE 4' DIA W/ FRAME & CLOSED LID
C5.1	27+26	12.0' LT.	INLET TY A W/ TY 3V FRAME & GRATE
C6	28+30	23.0' LT.	MANHOLE 4' DIA W/ FRAME & CLOSED LID
D1	11+01.13	32.82' RT.	EXISTING MANHOLE
D1.1	11+08.82	12.0' RT.	INLET TY A W/ TY 3V FRAME & GRATE
D2	9+63.79	17.9' RT.	EXISTING MANHOLE W/ FRAME & CLOSED LID
D2.1	9+00	21.2' RT.	INLET TY A W/ TY 3 FRAME & GRATE
D3	9+32.70	11.39' LT.	INLET TY A W/ TY 3V FRAME & GRATE
E1	14+50	12.0' RT.	INLET TY A W/ TY 3V FRAME & GRATE
F1	16+00	12.0' RT.	INLET TY A W/ TY 3V FRAME & GRATE
G1	32+50	12.0' LT.	INLET TY A W/ TY 3 FRAME & GRATE

STORM SEWER

PIPE	SIZE				COMMENTS
	18" CL B	(WMR)	15"	12" CL B (WMR)	
D.S. A1 - B1	38'				STORM SEWER CL B TY 1
D.S. B1 - B1.1			13'		STORM SEWER CL B TY 1
D.S. B1 - B2	196'				STORM SEWER CL B TY 1
D.S. B2 - B2.1			13'		STORM SEWER CL B TY 1
D.S. B2 - B3	174'				STORM SEWER CL B TY 1
D.S. B3 - B3.1			13'		STORM SEWER CL B TY 1
D.S. B3 - B4	145'				STORM SEWER CL B TY 1
D.S. B4 - B5		100'			STORM SEWER (WATER MAIN REQ.)
D.S. B5 - B5.1			8'		STORM SEWER CL B TY 1
D.S. B6 - B6.1			7'		STORM SEWER CL B TY 1
D.S. A1 - C1	107'				STORM SEWER CL B TY 1
D.S. C1 - C1.1			13'		STORM SEWER CL B TY 1
D.S. C1 - C2	163'				STORM SEWER CL B TY 1
D.S. C2 - C2.1			10'		STORM SEWER CL B TY 1
D.S. C3 - M.E.S.			12'		STORM SEWER CL B TY 1
D.S. C3 - C3.1			10'		STORM SEWER CL B TY 1
D.S. C3 - C4	271'				STORM SEWER CL B TY 1
D.S. C4 - C4.1			13'		STORM SEWER CL B TY 1
D.S. C4 - C5	237'				STORM SEWER CL B TY 1
D.S. C5 - C5.1			10'		STORM SEWER CL B TY 1
D.S. C6 - M.E.S.			9'		STORM SEWER CL B TY 1
D.S. D1 - D1.1				20'	STORM SEWER (WATER MAIN REQ)
D.S. D2 - D2.1				20'	STORM SEWER CL B TY 1
D.S. E1 - END SEC				20'	STORM SEWER CL B TY 1
D.S. F1 - END SEC				20'	STORM SEWER (WATER MAIN REQ)
D.S. G1 - END SEC				20'	STORM SEWER CL B TY 1
<b>TOTALS</b>	<b>1331'</b>	<b>100'</b>	<b>34'</b>	<b>201'</b>	<b>40'</b>



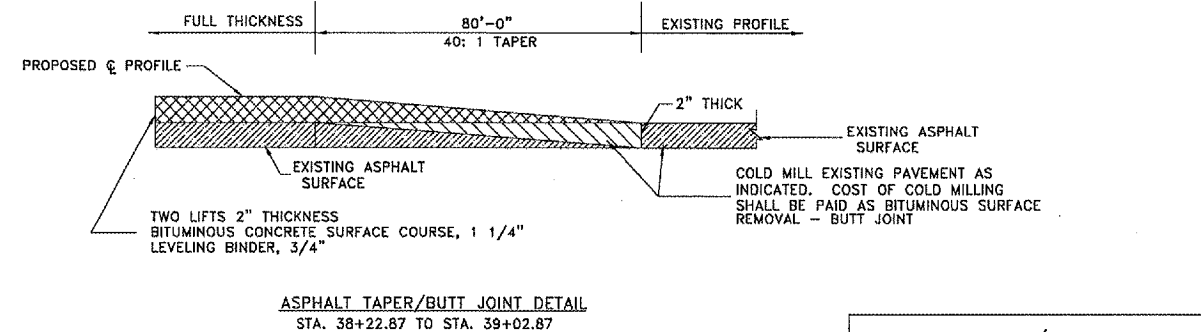
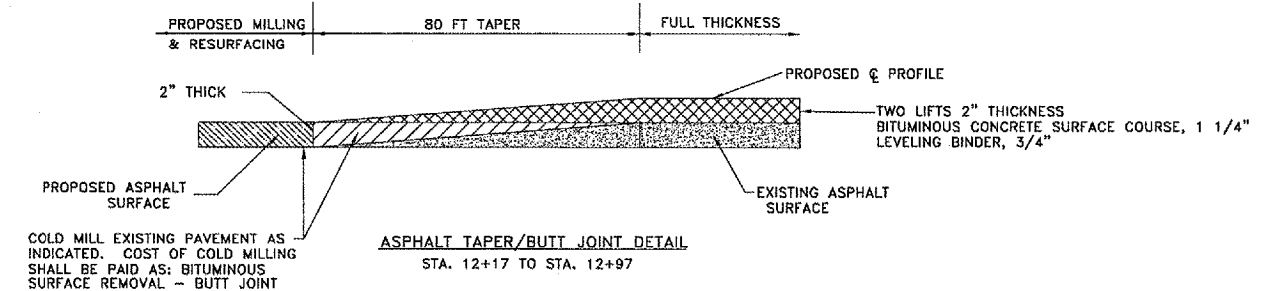
AREA REFLECTIVE CRACK CONTROL TREATMENT, SYSTEM A



STORM SEWER CONSTRUCTION

NOTE: PIPE CULVERT STA. 9+00 TO STA. 9+63.79 RIGHT SHALL BE BACKFILLED WITH FINE AGG. PER SPEC. ENTIRE TRENCH LENGTH, WIDTH AND DEPTH. COST TO BE INCLUDED IN THE UNIT PRICE FOR STORM SEWERS/TRENCH BACKFILL.

NOTE: PIPE CULVERTS DRAINING FROM CURB INLETS AND EXTEND UNDER SIDEWALK SHALL BE BACKFILLED WITH FINE AGG. PER SPEC THE ENTIRE TRENCH LENGTH, WIDTH AND DEPTH. COST TO BE INCLUDED IN THE UNIT PRICE FOR STORM SEWERS/TRENCH BACKFILL.



STRIPING/BUTT-JOINTS/  
PIPE SCHEDULE  
HAMACHER STREET IMPROVEMENTS  
SEC 04-00042-01-WR  
CITY OF WATERLOO  
MONROE COUNTY, IL