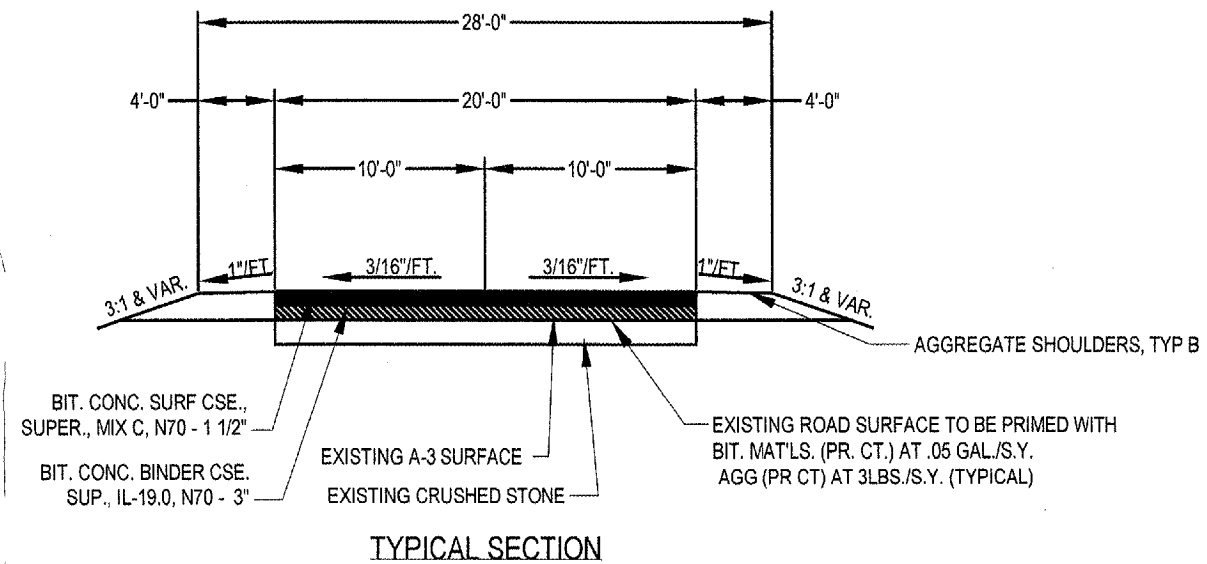


C:\SSCI\JOBS\0556 Old Metro Rd\ssci-Old Metro Rd\DRAWING\02 TYPICAL SECTIONS.dwg, 1/27/2006 8:31:44 AM

ROUTE	SECTION	COUNTY	TOTAL SHEETS	SHEET NO.
FAS 929	02-00057-00-RS	JOHNSON	51	2
PROJECT NO. RS-929(117)		CONTRACT NO. 99253		

NOTE: GRADE CORRECTIONS FOR CROWN OR SUPERELEVATIONS SHALL BE CONSTRUCTED WITH BINDER PRIOR TO THE FIRST FULL LIFT OF BITUMINOUS CONCRETE BINDER COURSE.

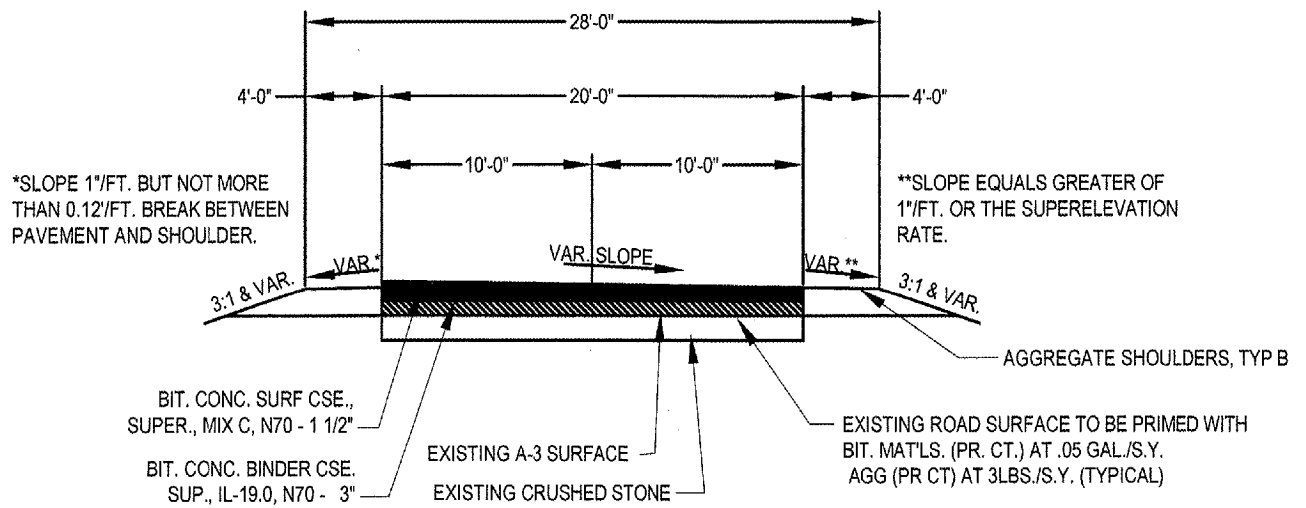


STRUCTURAL DESIGN DATA
 STA. 184+80 - 372+19
 CLASS III ROADWAY
 DESIGN PERIOD - 15 YEARS
 PC 88
 SU 7
 MU 5
 IBR 2.5
 TF 0.08
 DT 3.0
 MATERIAL COEFFICIENT
 CRUSHED STONE - 0.11
 SOIL CEMENT - 0.15
 EXIST. OIL & CHIP SURFACE - 0.13
 BIT. CONC. BINDER COURSE - 0.33
 BIT. CONC. SURFACE COURSE - 0.40

SIGNATURE
 11/30/07
 LIC. EXP. DATE

SHAWNEE SURVEY & CONSULTING, INC
 P.O. BOX 125
 104 S. FOURTH STREET
 VIENNA, IL 62995
 PHONE: (618) 658-6065 FAX: (618) 658-9190
 PLSF NO.: 048-000151 PDF NO.: 104-02344

NOTE: GRADE CORRECTIONS FOR CROWN OR SUPERELEVATIONS SHALL BE CONSTRUCTED WITH BINDER PRIOR TO THE FIRST FULL LIFT OF BITUMINOUS CONCRETE BINDER COURSE.



JOHNSON COUNTY HIGHWAY DEPARTMENT
 P.O. BOX 247
 VIENNA, IL 62995
OLD METROPOLIS ROAD RESURFACING PROJECT
 FAS ROUTE 929, CH5
 SECTION 02-00057-00-RS
 FUNDING OR PROJECT NUMBER

DRAWING INFORMATION	
DRAWN BY: DDP	PRELIMINARY
DATE: 1-10-06	RD / CONSTRUCTION
CHECKED BY: MIS	
SCALE: 1" = 10'	
JOB NO.: 2002-032	FINAL / RECORDED
DRAWING REVISIONS	
REV.	DATE
1	01/23/02
2	08/12/02
3	12/13/04
	1/14/06

TYPICAL SECTION THRU CURVES
 NOTE: SECTION SHOWN FOR RIGHT CURVE. REVERSE FOR LEFT CURVE