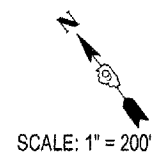
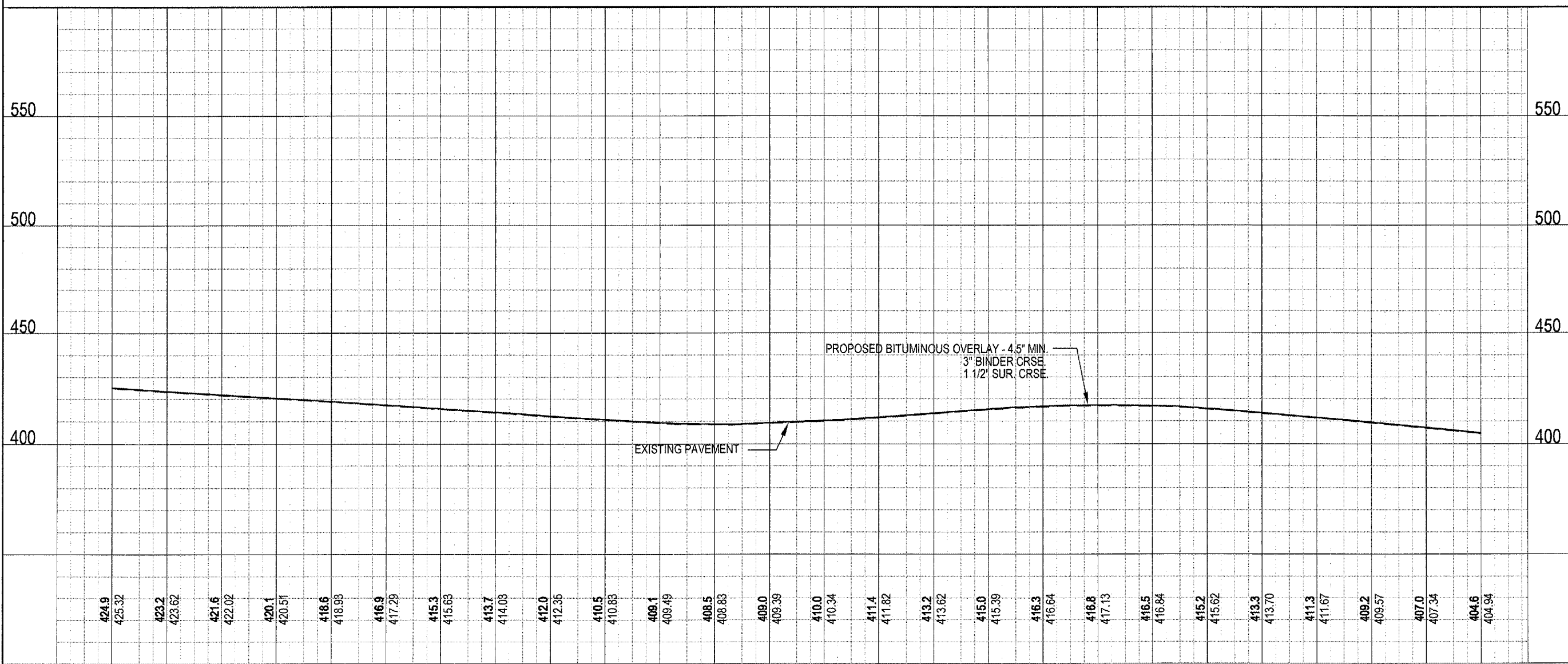
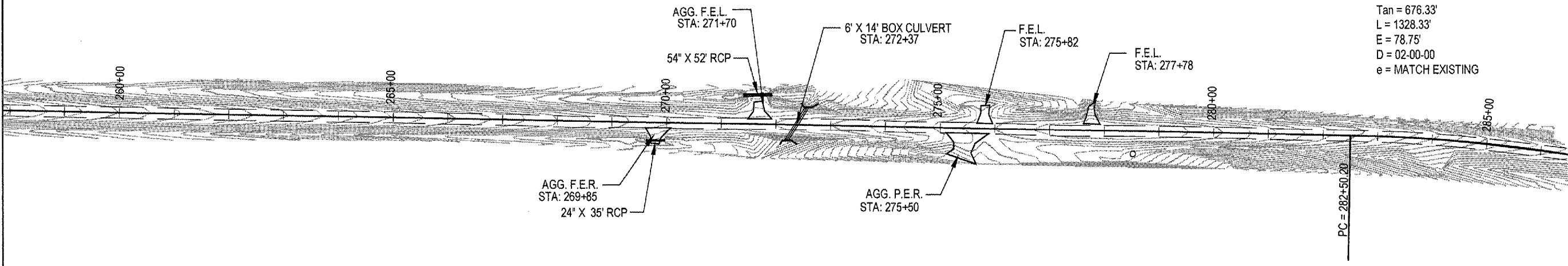


C:\SSCI\JOBS\0556 Old Metro Rd\ssci-Old Metro Rd\DRAWING\PLANPROF06.dwg, 1/26/2006 1:53:02 PM

ROUTE	SECTION	COUNTY	TOTAL SHEETS	SHEET NO.
FAS 929	02-00057-00-RS	JOHNSON	51	9
PROJECT NO. RS-929(117)		CONTRACT NO. 99253		



C-6
 $\Delta = 26.34-00$
 $R = 2864.79'$
 $\text{Tan} = 676.33'$
 $L = 1328.33'$
 $E = 78.75'$
 $D = 02-00-00$
 $e = \text{MATCH EXISTING}$



SIGNATURE
 11/30/07
 LIC. EXP. DATE

SHAWNEE SURVEY & CONSULTING, INC

PHONE: (618) 658-6065 FAX: (618) 658-9190

P.O. BOX 125
 104 S. FOURTH STREET
 VIENNA, IL 62995

PLSF NO.: 048-000151 PDF NO.: 104-02344

JOHNSON COUNTY HIGHWAY DEPARTMENT

P.O. BOX 247
 VIENNA, IL 62995

OLD METROPOLIS ROAD RESURFACING PROJECT

FAS ROUTE 929, CH5
 SECTION 02-00057-00-RS

FUNDING OR PROJECT NUMBER

DRAWING INFORMATION	
DRAWN BY: DDP	<input checked="" type="checkbox"/> PRELIMINARY
DATE: 1-10-06	<input type="checkbox"/> RID / CONSTRUCTION
CHECKED BY: MJS	<input type="checkbox"/> FINAL / RECORD
SCALE: 1" = 200	
JOB NO.: 2002-092	
DRAWING REVISIONS	
REV.	DATE
1	01/25/02
2	06/12/02
3	12/13/04
	1/14/06

260+00 261+00 262+00 263+00 264+00 265+00 266+00 267+00 268+00 269+00 270+00 271+00 272+00 273+00 274+00 275+00 276+00 277+00 278+00 279+00 280+00 281+00 282+00 283+00 284+00 285+00

SHEET NUMBER
09
 PLAN/PROFILE SHEET