

NEW KEY PAD OPERATED GATE AND DETECTOR LOOP LAYOUT

NOT TO SCALE
 * PER MANUFACTURERS RECOMENDATION CONTRACTOR SHALL COORDINATE THIS WORK WITH ENGINEER.

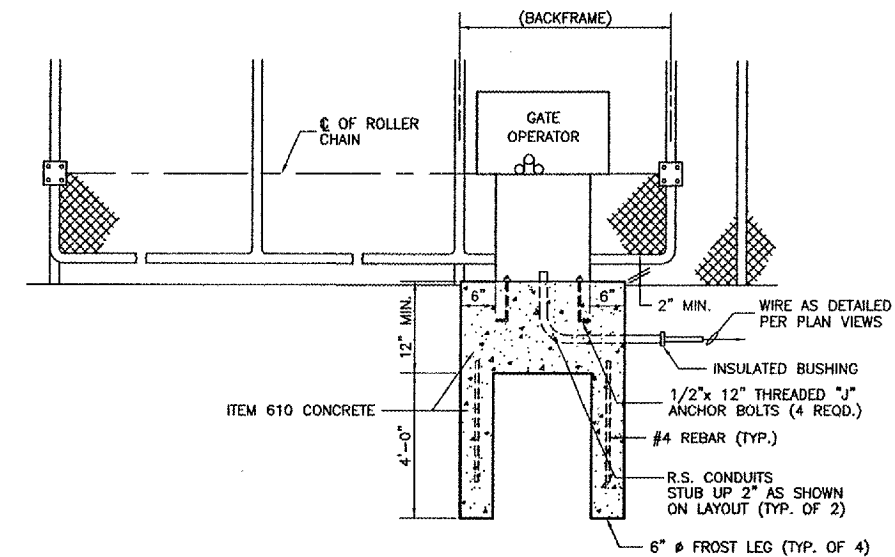
NOTES:

1. THE LOCATION OF THE PROPOSED KEY PAD OPERATED GATE DRIVER, DISCONNECT, CARD READER, AND DETECTOR LOOPS ARE FOR INFORMATION ONLY AND SHALL BE FIELD ADJUSTED PER THE MANUFACTURER RECOMMENDATION.
2. THE MINIMUM BURIAL DEPTH FOR GRS CONDUIT IS 24" BELOW FINISHED GRADE.
3. NO DIRECT BURIED CABLE WILL BE ALLOWED IN THE INSTALLATION OF THE NEW KEY PAD OPERATED GATE DRIVER.
4. NEW KEY PAD SHALL BE MODEL # 55-LCK1000 BY LINK CONTROLS OR EQUAL.
5. CONTRACTOR SHALL PROVIDE AND INSTALL ELECTRIC GATE COMPONENTS AS A COMPLETE WORKING UNIT. THE GATE WORK SHALL INCLUDE, BUT NOT BE LIMITED TO THE GATE OPERATOR AND FOUNDATION, AND POWER CABLES CONDUIT, KEY PAD, TRENCHING, CIRCUIT BREAKERS, AND ALL CONNECTIONS, LABOR AND MATERIALS NECESSARY TO COMPLETE OPERATION. BOLLARDS SHALL BE PAID FOR SEPARATELY.
6. LOCATION OF THE GATE OPERATOR SHALL BE AS RECOMMENDED BY THE MANUFACTURER.

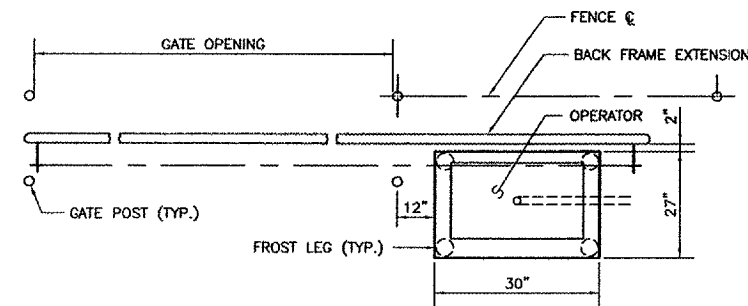
	GATE TYPE	GATE
A	DISTANCE BETWEEN GATE POSTS (INSIDE FACE TO INSIDE FACE)	16'-0"
B	DISTANCE BETWEEN HANGER POSTS (CENTER TO CENTER)	10'-0"*
C	OVERALL GATE LENGTH	26'-6"*
D	OVERALL GATE HEIGHT	8'-0"
E	HEIGHT OF FABRIC IN GATE	8'-0"
F	COUNTER BALANCE LENGTH	10'-6"
G	HEIGHT OF 4" POSTS ABOVE GRADE	8'-6"

* OR AS RECOMMENDED BY MFG.

LOCATIONS, DETAILS AND CHARACTER OF EQUIPMENT SHOWN ON THIS SHEET ARE GENERIC. EQUIPMENT LOCATIONS SHALL BE AS RECOMMENDED BY THE EQUIPMENT MANUFACTURER.



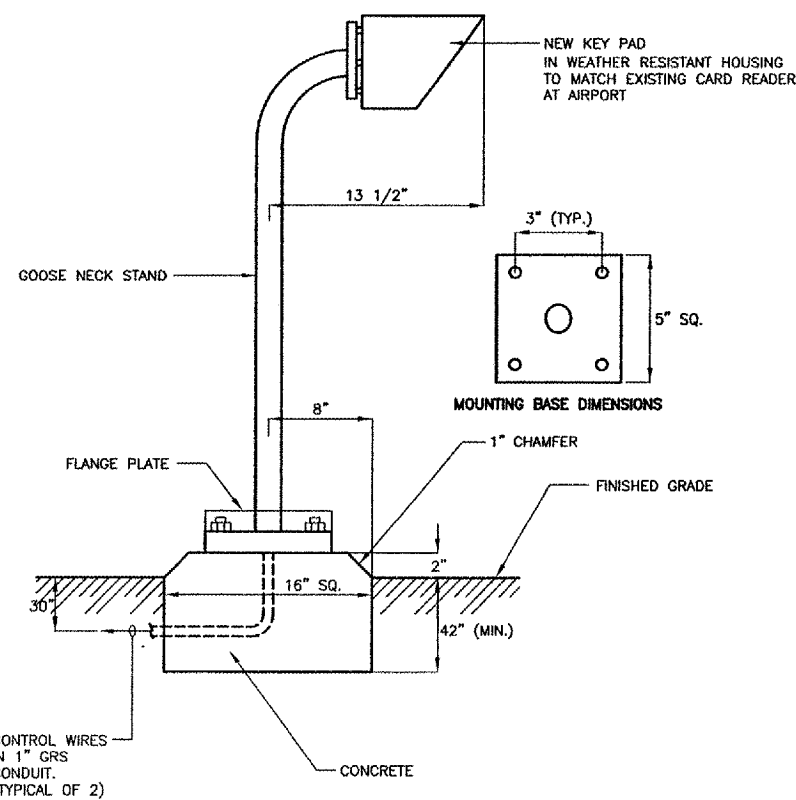
SECTION



PLAN

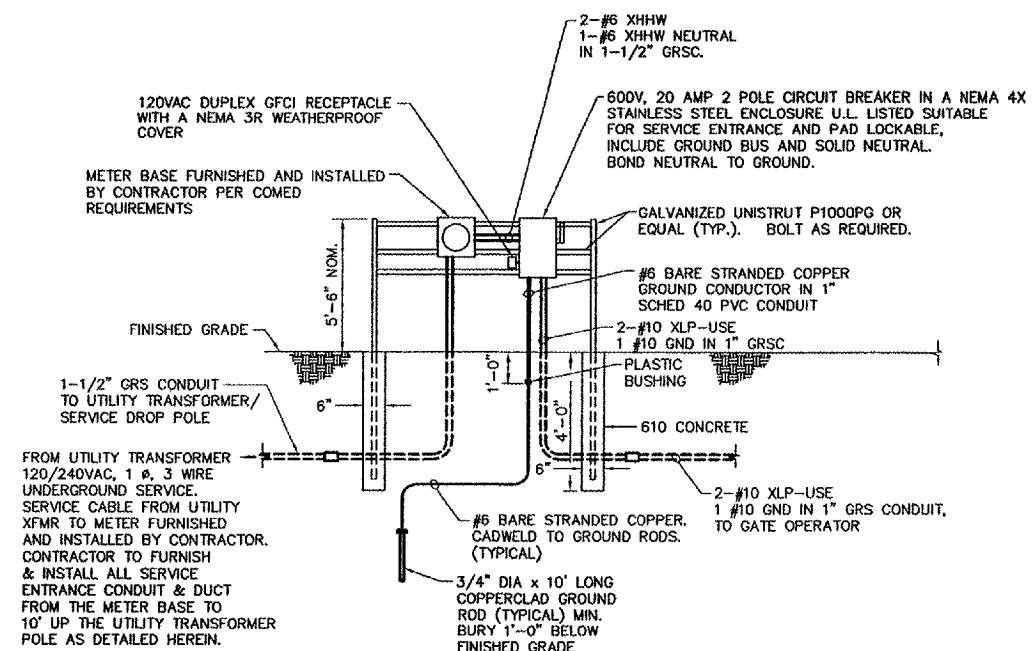
GATE OPERATOR DETAIL

NOT TO SCALE



CARD READER MOUNTING DETAIL

NOT TO SCALE



SERVICE ENTRANCE AND DISCONNECT

NOT TO SCALE

REVISIONS		
NUMBER	BY	DATE

0 1 2
 THIS BAR IS EQUAL TO 2" AT FULL SCALE (34X22).

**AURORA MUNICIPAL AIRPORT
 AURORA, ILLINOIS
 CONSTRUCT RUNWAY 33 ILS,
 RELOCATE RUNWAY 9 LOCALIZER**

GATE DETAILS

© Copyright GMT, Inc.
GMT
 CRAWFORD, MURPHY & TILLY, INC.
 CONSULTING ENGINEERS
 License No. 184-006613

DESIGN BY:	AB
DRAWN BY:	JRO
CHECKED BY:	AB
APPROVED BY:	
DATE:	05/12/06
JOB No:	04285-04
ILLINOIS PROJECT:	ARR-3468
A.I.P. PROJECT:	3-17-0003-B31
FINAL SUBMITTAL	