

THIS DRAWING PRODUCED ON THE GREAT LAKES REGION INFORMATION SYSTEM

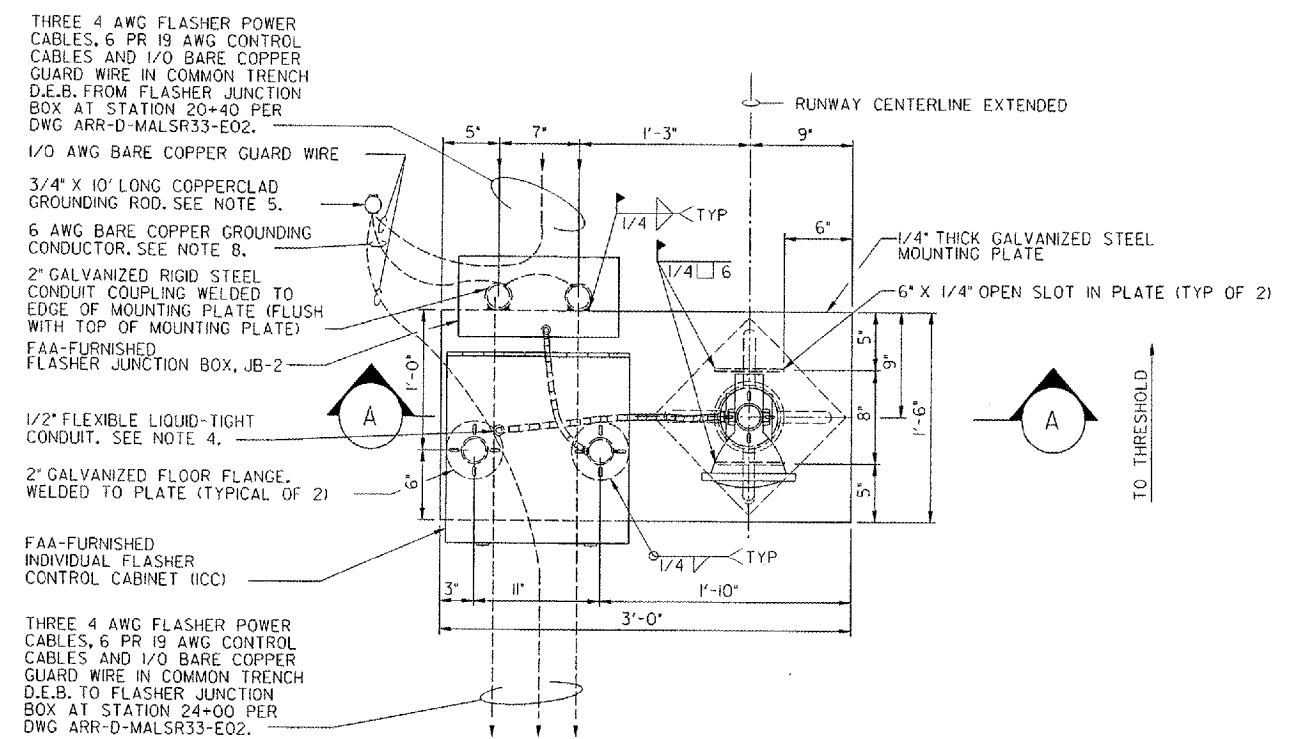
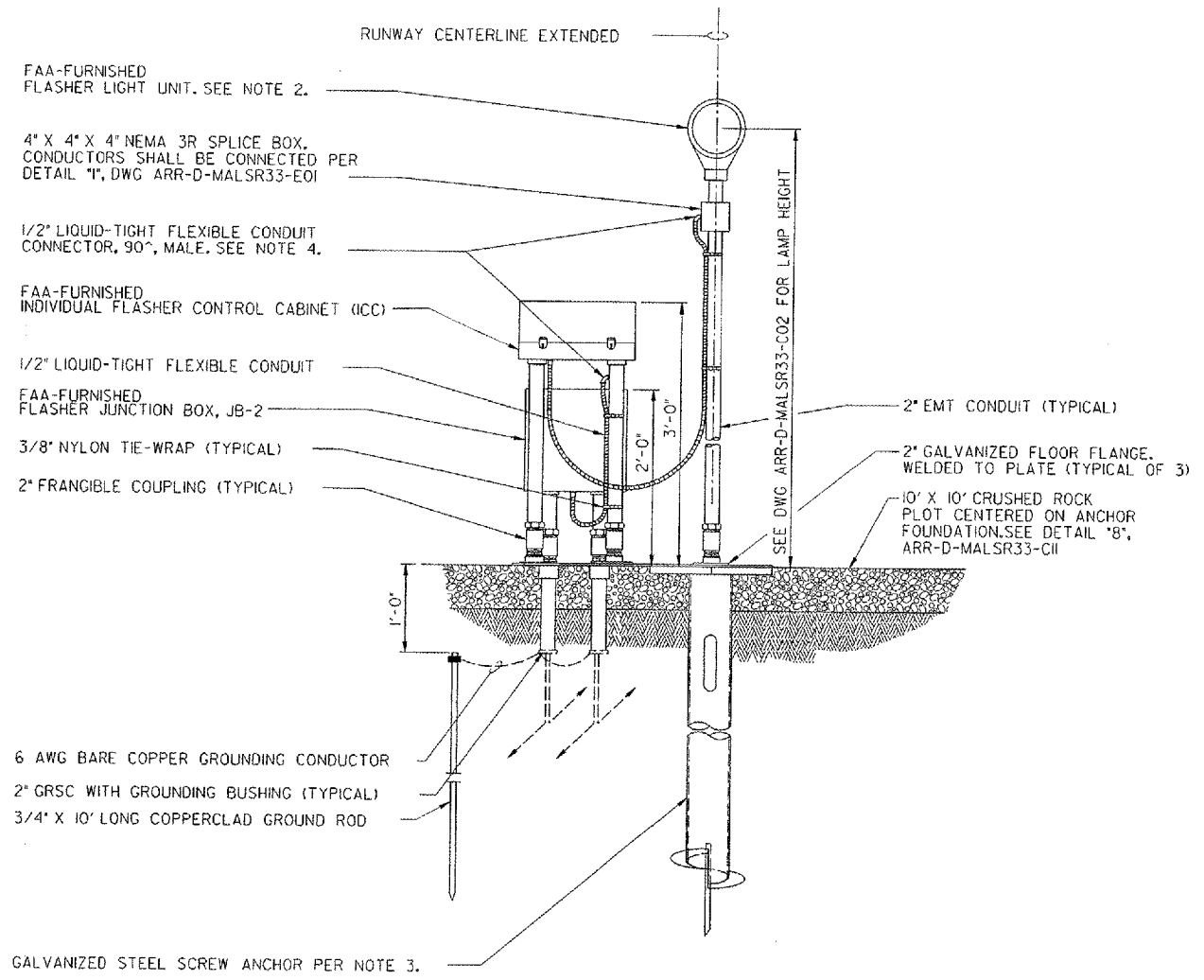
8 7 6 5 4 3 2 1

H  
G  
F  
E  
D  
C  
B  
A

H  
G  
F  
E  
D  
C  
B  
A

**NOTES:**

1. SEE DWG ARR-D-MALSR33-C02 FOR LAMP CENTERLINE AND FOUNDATION TOP ELEVATIONS.
2. SEE DWG ARR-D-MALSR33-E03 FOR FLASHER WIRING AND LAMPHOLDER INSTALLATION DETAILS.
3. SCREW ANCHOR FOUNDATION SHALL BE A.B. CHANCE CAT. NO. CT112-0262 'INSTANT' FOUNDATION. SEE SPECIFICATION FAA-GL-918C, SECTION 13B FOR INSTRUCTIONS REGARDING INSTALLATION OF THE ANCHOR.
4. DRILL HOLE IN SIDE OF 2" EMT CONDUIT LEG OF ICC AND INSTALL 90° 1/2" FLEX CONDUIT CONNECTOR WITH 1/2" FLEX CONDUIT FROM JUNCTION BOX, ROUTE POWER AND CONTROL CABLES THROUGH FLEX CONDUIT, INTO EMT LEG AND INTO ICC. SEAL PENETRATION USING SILICONE SEALER.
5. ALL CONNECTIONS TO GROUNDING RODS SHALL BE MADE USING EXOTHERMIC WELDS PER SPECIFICATIONS.
6. FOUNDATION SHALL BE CONSTRUCTED SUCH THAT THE FLASHER IS CENTERED AT THE RUNWAY STATION SHOWN ON DWG ARR-D-MALSR33-C02.



**PLAN**  
**FOUNDATION LAYOUT FOR MALSR FLASHER**  
NOTE: STATION 22+20 IS SHOWN ABOVE, STATION 24+00 IS TYPICAL



**A SECTION**  
**ELEVATION VIEW**  
SCALE IN FEET

CONTRACTOR SHALL SUBMIT REQUESTS FOR SUBSTITUTION OF SPECIFIC MANUFACTURER'S ITEMS SHOWN PER PARAGRAPH 1 OF THE SPECIAL SPECIFICATIONS.

SHEET 33 OF 67

DEPARTMENT OF TRANSPORTATION  
FEDERAL AVIATION ADMINISTRATION  
GREAT LAKES REGION CHICAGO, ILLINOIS

MALSR  
FOUNDATION DETAILS FOR FLASHER  
AT STATIONS 22+20 AND 24+00

AURORA		AURORA MUNICIPAL AIRPORT		IL
REVIEWED BY	SUBMITTED BY	APPROVED BY		
PROJ. ENGR. TIMOTHY DYER		PLATFORM MGR. CLELAND MICHEEL		
DESIGNED	TAD	ISSUED BY	DATE	CHK
DRAWN	TAD	CHICAGO NAS IMPLEMENTATION CENTER	02/27/2006	
CHECKED	EGS	DRAWING NO	ARR-D-MALSR33-C10	REV

REV	DATE	DESCRIPTION	JCN	REDLINE DATE	APVD

K:\Aurora\0428504\Draws\Sheets\FAA\1.5\DDRs\_CMT mod\_5-10-06\APP-10-MALSR33-C10.dwg  
5/10/2006 5:20:07 PM NAME

8 7 6 5 4 3 2 1

SHEET OF