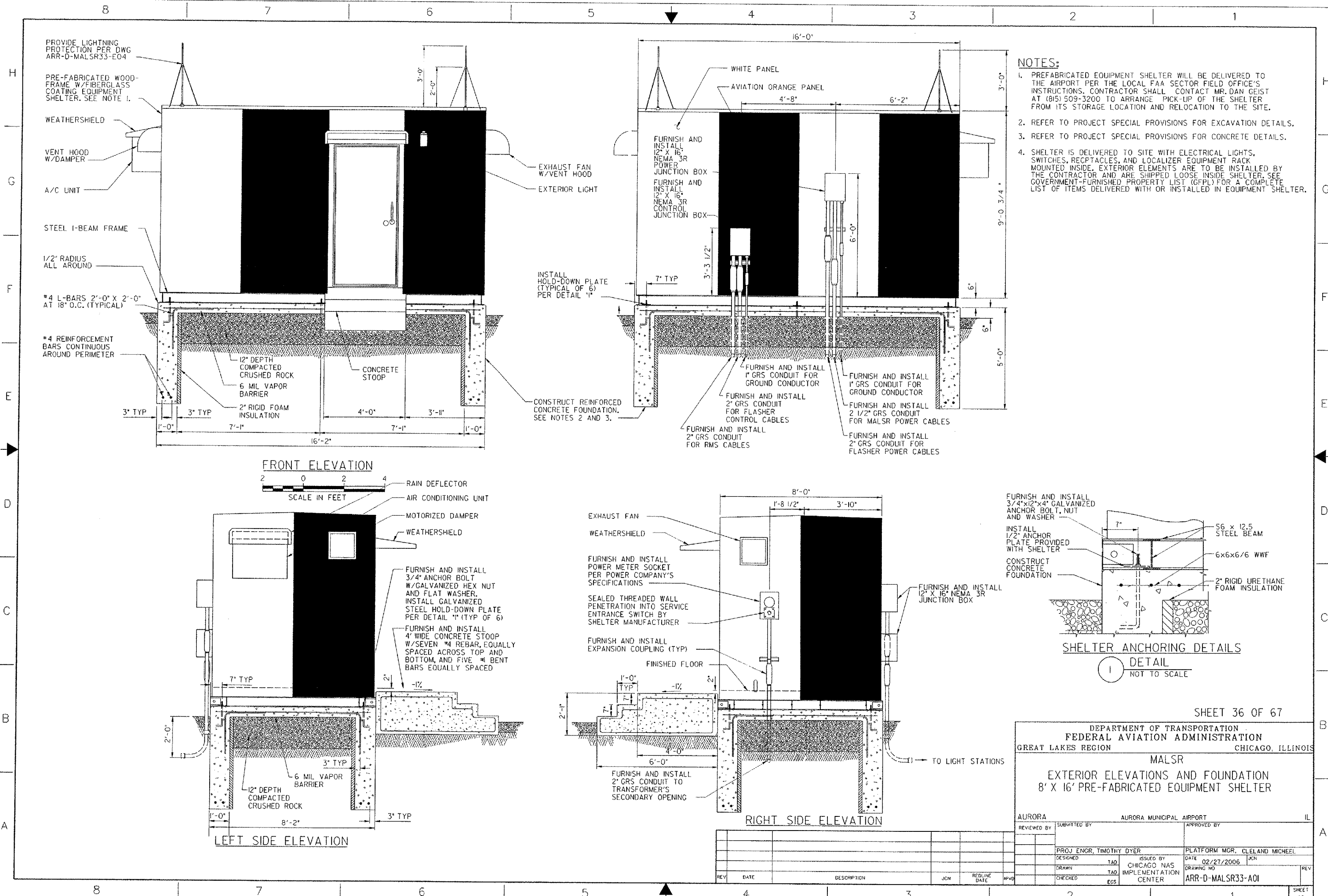
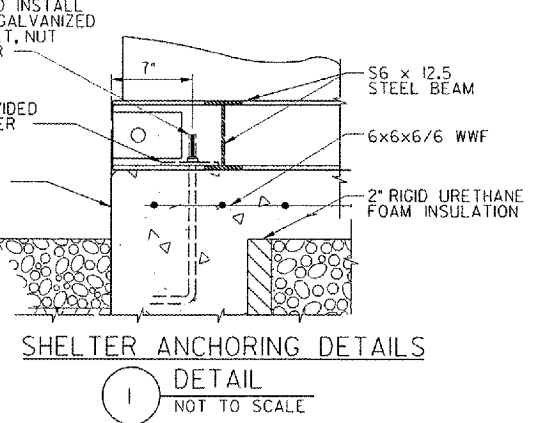
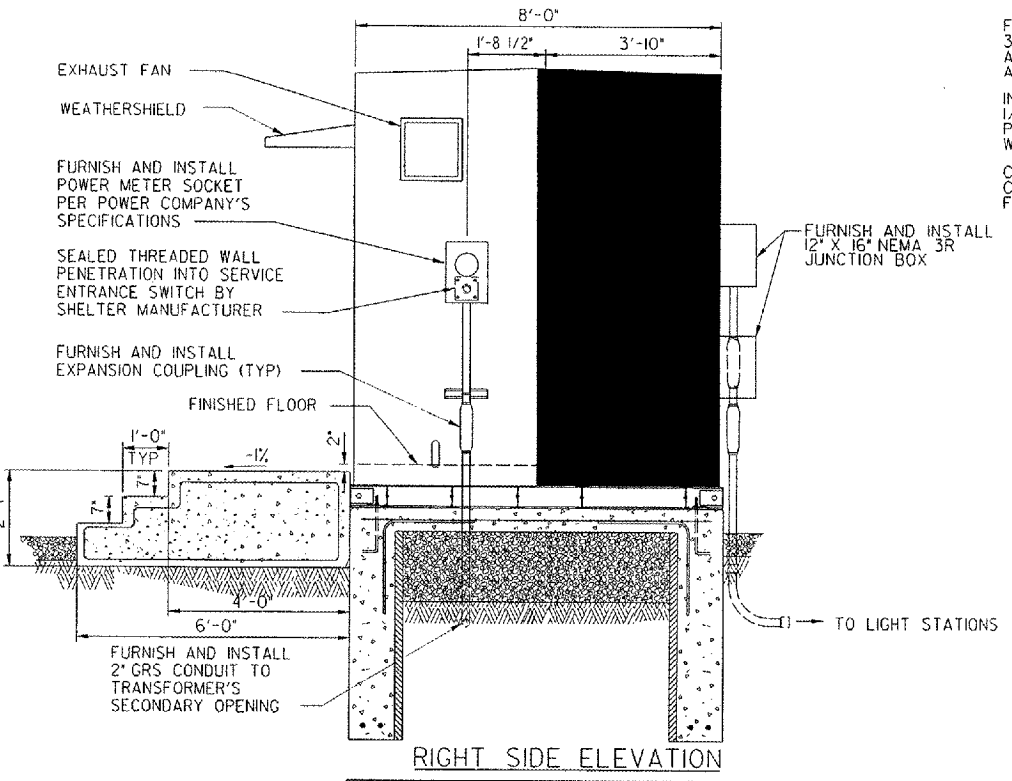
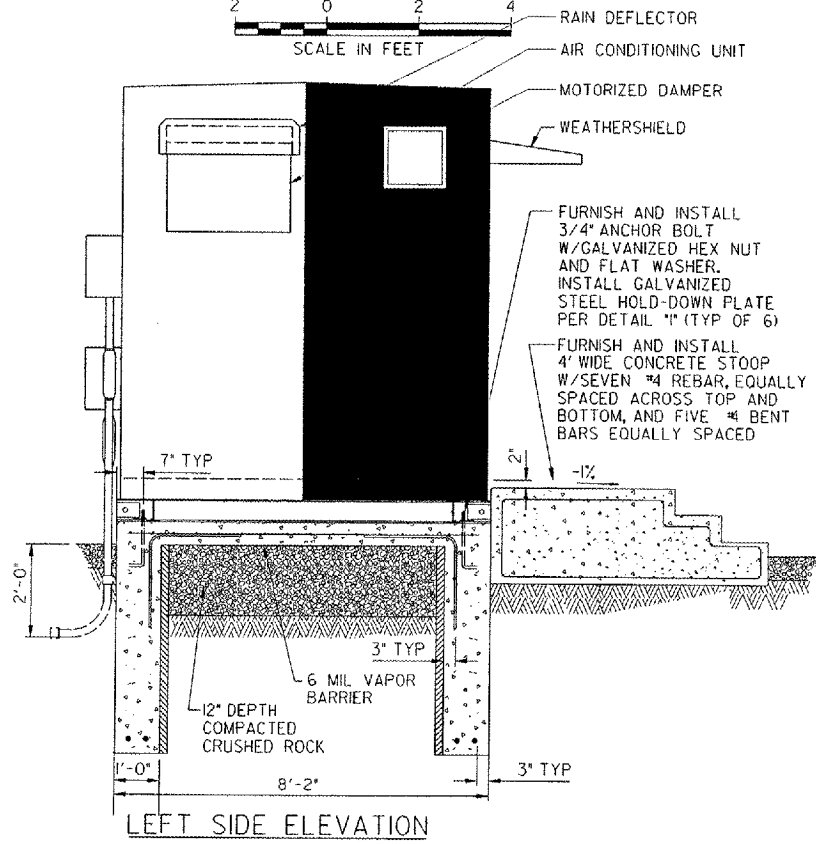
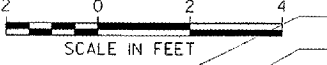


THIS DRAWING PRODUCED BY THE GREAT LAKES REGION MODIFICATION SYSTEM



- NOTES:**
1. PREFABRICATED EQUIPMENT SHELTER WILL BE DELIVERED TO THE AIRPORT PER THE LOCAL FAA SECTOR FIELD OFFICE'S INSTRUCTIONS. CONTRACTOR SHALL CONTACT MR. DAN GEIST AT (815) 509-3200 TO ARRANGE PICK-UP OF THE SHELTER FROM ITS STORAGE LOCATION AND RELOCATION TO THE SITE.
 2. REFER TO PROJECT SPECIAL PROVISIONS FOR EXCAVATION DETAILS.
 3. REFER TO PROJECT SPECIAL PROVISIONS FOR CONCRETE DETAILS.
 4. SHELTER IS DELIVERED TO SITE WITH ELECTRICAL LIGHTS, SWITCHES, RECEPTACLES, AND LOCALIZER EQUIPMENT RACK MOUNTED INSIDE. EXTERIOR ELEMENTS ARE TO BE INSTALLED BY THE CONTRACTOR AND ARE SHIPPED LOOSE INSIDE SHELTER. SEE GOVERNMENT-FURNISHED PROPERTY LIST (GFPL) FOR A COMPLETE LIST OF ITEMS DELIVERED WITH OR INSTALLED IN EQUIPMENT SHELTER.

FRONT ELEVATION



SHEET 36 OF 67

DEPARTMENT OF TRANSPORTATION
FEDERAL AVIATION ADMINISTRATION
GREAT LAKES REGION CHICAGO, ILLINOIS

MALSR

EXTERIOR ELEVATIONS AND FOUNDATION
8' X 16' PRE-FABRICATED EQUIPMENT SHELTER

AURORA		AURORA MUNICIPAL AIRPORT		IL
REVIEWED BY	SUBMITTED BY	APPROVED BY		
DESIGNED	TAD	ISSUED BY	PLATFORM MGR. CLELAND MICHEEL	
DRAWN	TAD	CHICAGO NAS IMPLEMENTATION CENTER	DATE 02/27/2006	JCN
CHECKED	EGS		DRAWING NO	REV
			ARR-D-MALSR33-A01	

K:\Aurora\0228564\Draw\Shelters\FAA_KS\DOTs_CAT mod. 5-10-05\AUR-10-MALSR-33-401.dwg
5/10/2006 5:17:24 PM SHAME
R0737