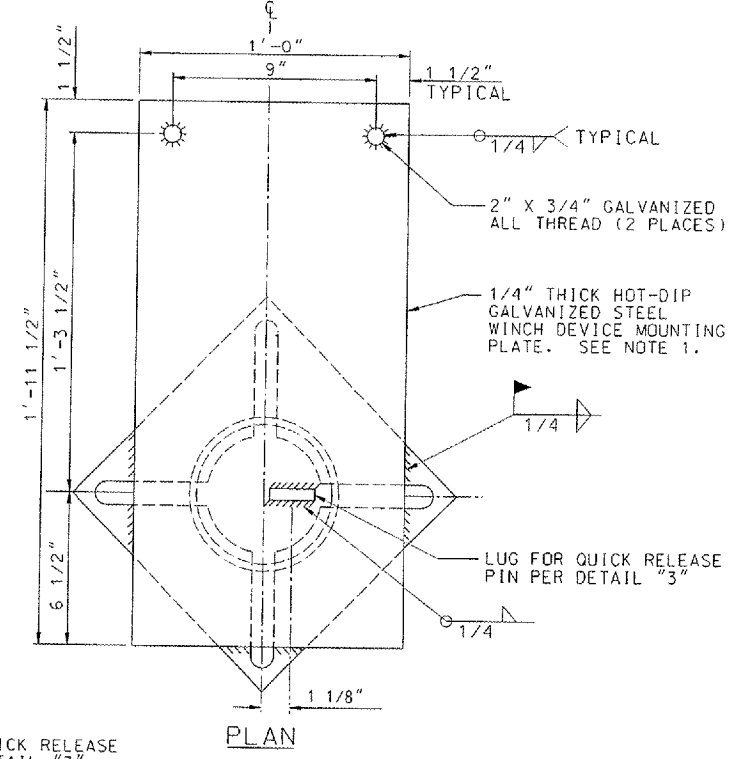
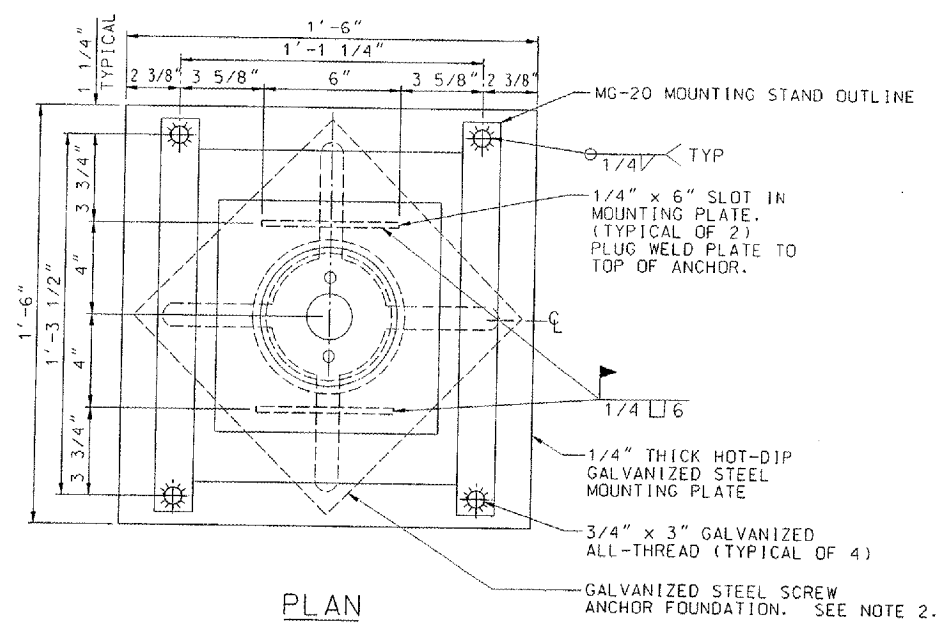
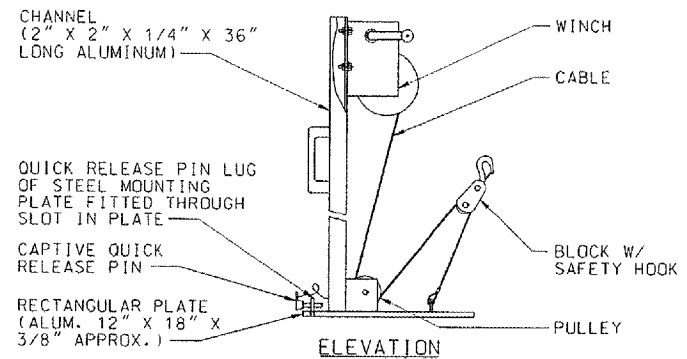
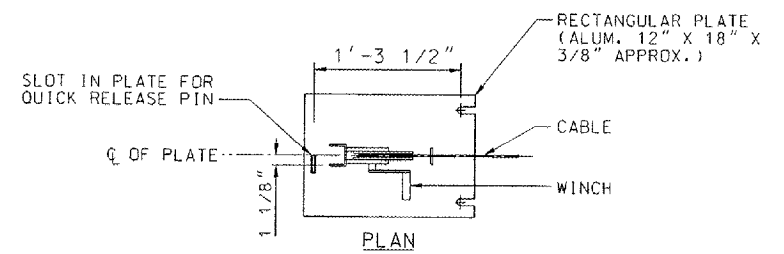


THIS DRAWING PRODUCED BY THE GREAT LAKES REGION MODIFICATION SYSTEM

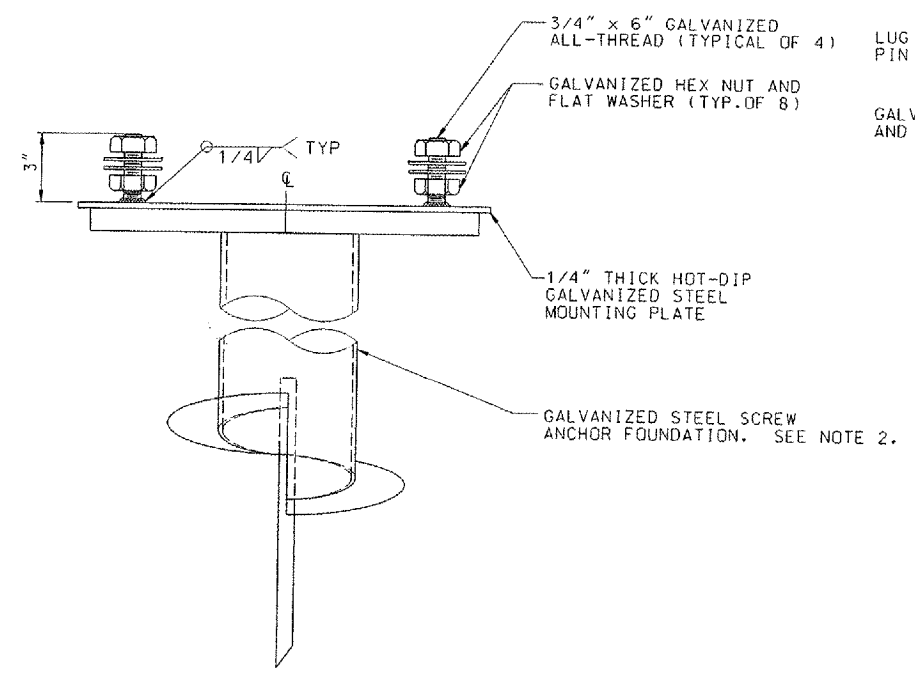


NOTES:

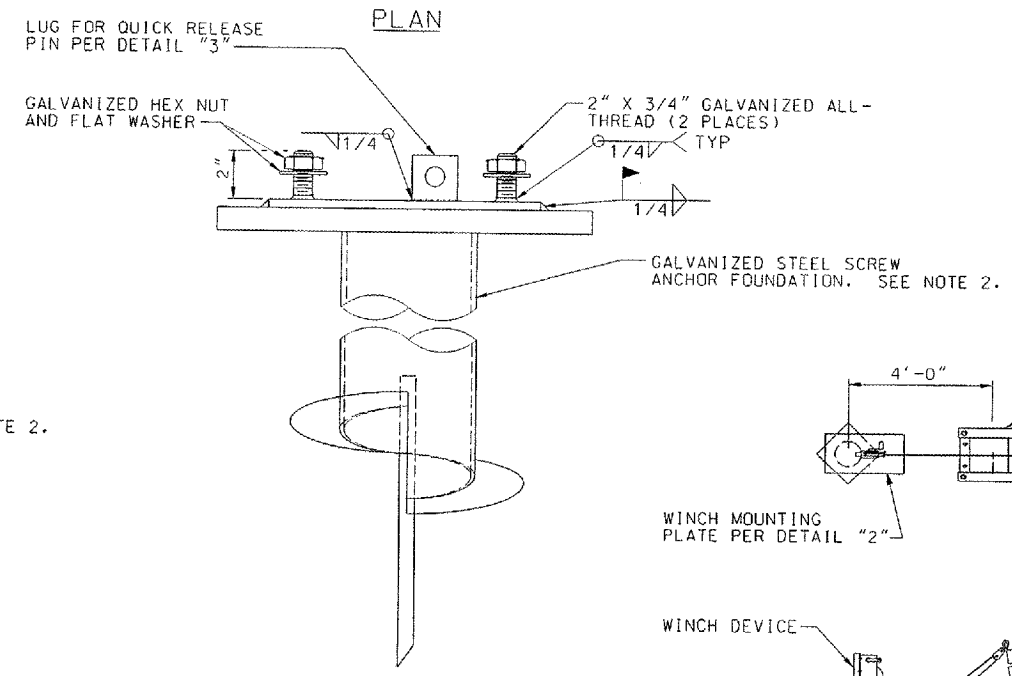
- WINCH IS PROVIDED BY THE FAA WITH MALSR EQUIPMENT; DETAILS ARE FOR REFERENCE ONLY. WINCH SHALL BE DELIVERED TO RESIDENT ENGINEER AFTER TOWER INSTALLATION.
- SCREW ANCHOR FOUNDATIONS SHALL BE STEEL STREETLIGHT FOUNDATIONS, A.B. CHANCE CAT. NO. CT112-0262. SEE THE SECTION 13D OF THE SPECIFICATION FAA-GL-918C FOR INSTRUCTIONS REGARDING INSTALLATION OF THE SCREW ANCHORS.



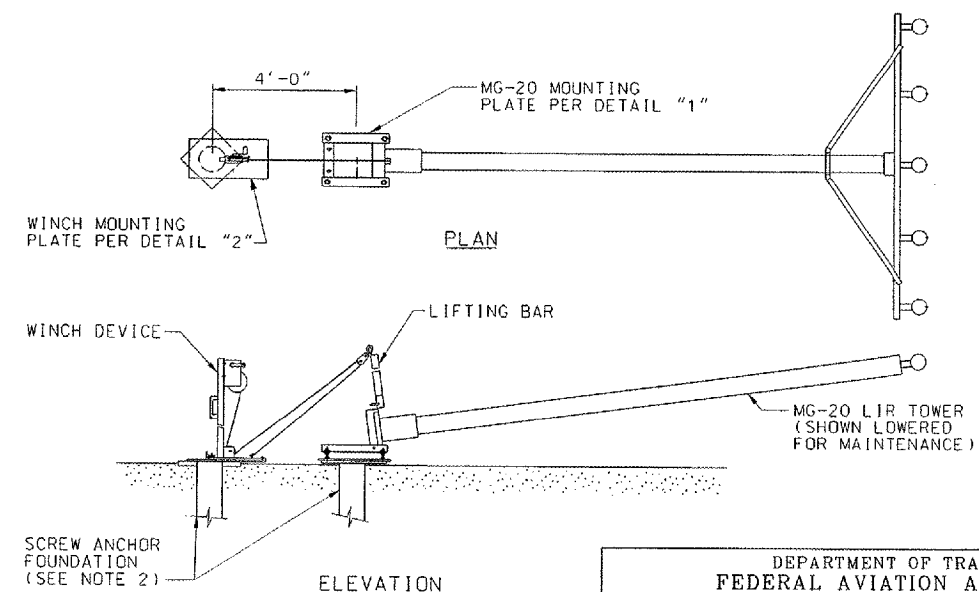
4 DETAIL NOT TO SCALE
WINCH DEVICE ATTACHED TO MOUNTING STAND ILLUSTRATION
SEE NOTE 1



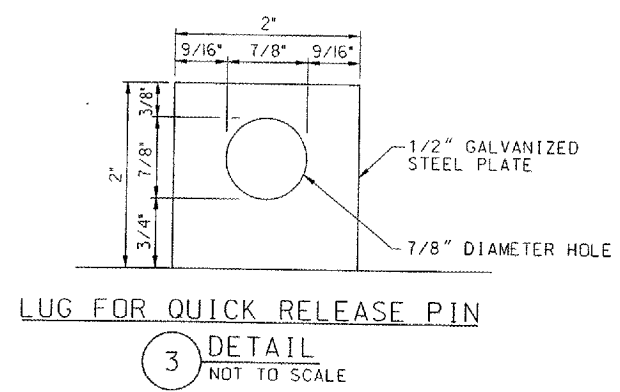
1 DETAIL NOT TO SCALE
SCALE IN INCHES



2 DETAIL NOT TO SCALE
SCALE IN INCHES



5 DETAIL NOT TO SCALE



CONTRACTOR SHALL SUBMIT REQUESTS FOR SUBSTITUTION OF SPECIFIC MANUFACTURER'S ITEMS, SHOWN PER PARAGRAPH 1 OF THE SPECIAL SPECIFICATIONS.

REV	DATE	DESCRIPTION	JCN	REQ'D DATE	APVE

SHEET 44 OF 67

DEPARTMENT OF TRANSPORTATION
FEDERAL AVIATION ADMINISTRATION
GREAT LAKES REGION CHICAGO, ILLINOIS

MALSR
MOUNTING PLATE FABRICATION DETAILS
FOR MG-20 LIR TOWER AND WINCH
RUNWAY 33

REVIEWED BY	SUBMITTED BY	APPROVED BY
DESIGNED BY	ISSUED BY	PLATFORM MGR.
DRAWN	TAD	DATE
CHECKED	EGS	IMPLEMENTATION CENTER

AURORA MUNICIPAL AIRPORT
AURORA, ILLINOIS

TIMOTHY DYER
CLELAND MICHEEL
02/27/2006
ARR-D-MALSR33-S03

K:\auroora\04-28584\Draw\Shells\FAA\AS\DOTS\CAT mod. 5-10-06\MPL-D\MALSR33-S03.dgn
5/10/2006 5:23:47 PM SHAME
40752