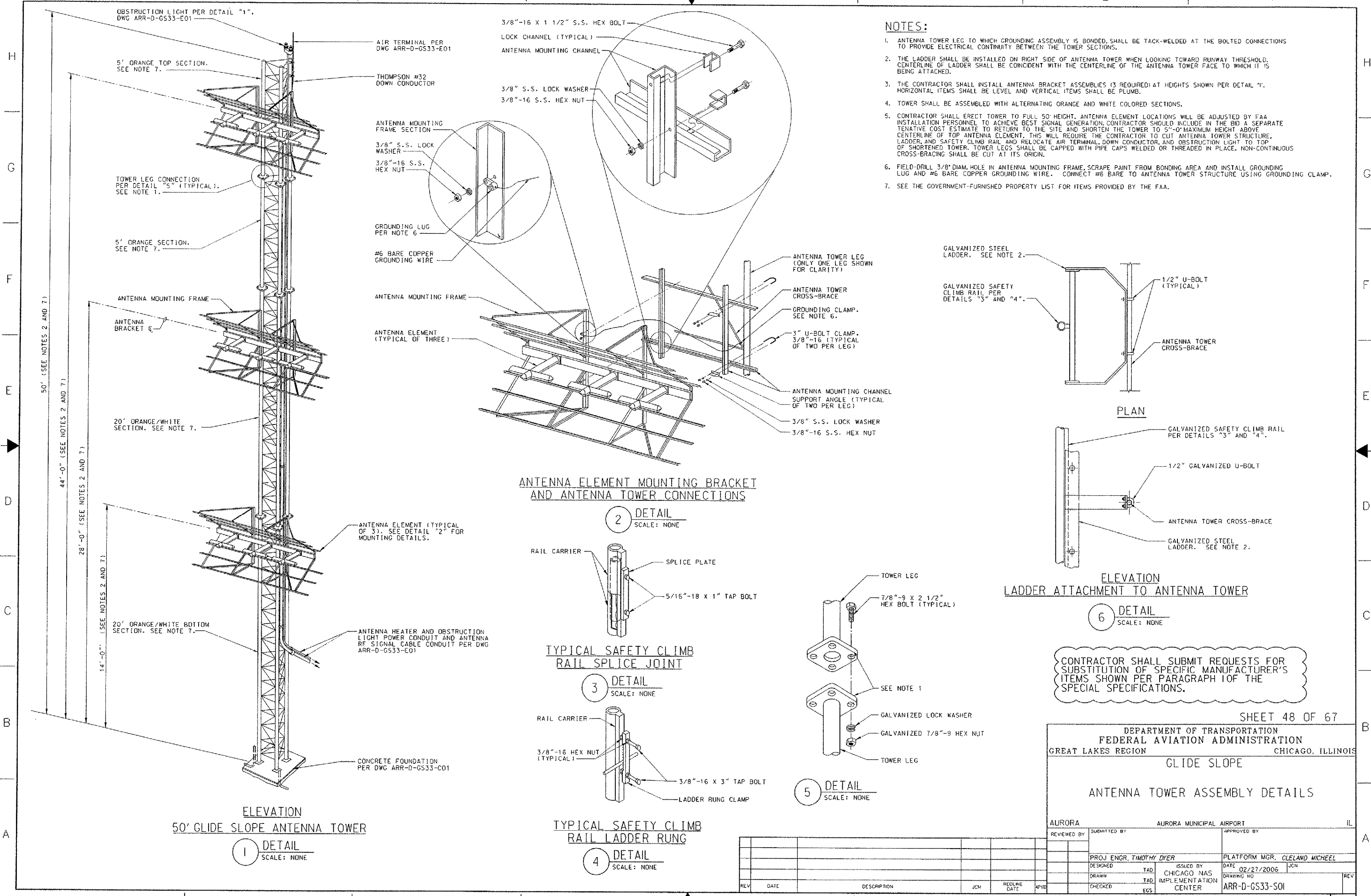


THIS DRAWING PRODUCED ON THE GREAT LAKES REGION MICROSTATION SYSTEM

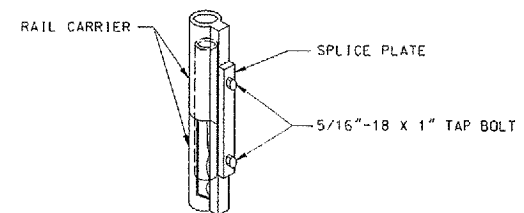
8 7 6 5 4 3 2 1



- NOTES:**
1. ANTENNA TOWER LEG TO WHICH GROUNDING ASSEMBLY IS BONDED, SHALL BE TACK-WELDED AT THE BOLTED CONNECTIONS TO PROVIDE ELECTRICAL CONTINUITY BETWEEN THE TOWER SECTIONS.
 2. THE LADDER SHALL BE INSTALLED ON RIGHT SIDE OF ANTENNA TOWER WHEN LOOKING TOWARD RUNWAY THRESHOLD. CENTERLINE OF LADDER SHALL BE COINCIDENT WITH THE CENTERLINE OF THE ANTENNA TOWER FACE TO WHICH IT IS BEING ATTACHED.
 3. THE CONTRACTOR SHALL INSTALL ANTENNA BRACKET ASSEMBLIES (3 REQUIRED) AT HEIGHTS SHOWN PER DETAIL "1". HORIZONTAL ITEMS SHALL BE LEVEL AND VERTICAL ITEMS SHALL BE PLUMB.
 4. TOWER SHALL BE ASSEMBLED WITH ALTERNATING ORANGE AND WHITE COLORED SECTIONS.
 5. CONTRACTOR SHALL ERECT TOWER TO FULL 50' HEIGHT. ANTENNA ELEMENT LOCATIONS WILL BE ADJUSTED BY FAA INSTALLATION PERSONNEL TO ACHIEVE BEST SIGNAL GENERATION. CONTRACTOR SHOULD INCLUDE IN THE BID A SEPARATE TENTATIVE COST ESTIMATE TO RETURN TO THE SITE AND SHORTEN THE TOWER TO 5'-0" MAXIMUM HEIGHT ABOVE CENTERLINE OF TOP ANTENNA ELEMENT. THIS WILL REQUIRE THE CONTRACTOR TO CUT ANTENNA TOWER STRUCTURE, LADDER, AND SAFETY CLIMB RAIL, AND RELOCATE AIR TERMINAL, DOWN CONDUCTOR, AND OBSTRUCTION LIGHT TO TOP OF SHORTENED TOWER. TOWER LEGS SHALL BE CAPPED WITH PIPE CAPS WELDED OR THREADED IN PLACE. NON-CONTINUOUS CROSS-BRACING SHALL BE CUT AT ITS ORIGIN.
 6. FIELD-DRILL 3/8" DIAM. HOLE IN ANTENNA MOUNTING FRAME, SCRAPE PAINT FROM BONDING AREA AND INSTALL GROUNDING LUG AND #6 BARE COPPER GROUNDING WIRE. CONNECT #6 BARE TO ANTENNA TOWER STRUCTURE USING GROUNDING CLAMP.
 7. SEE THE GOVERNMENT-FURNISHED PROPERTY LIST FOR ITEMS PROVIDED BY THE FAA.

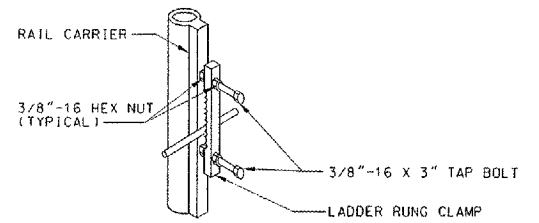
ANTENNA ELEMENT MOUNTING BRACKET AND ANTENNA TOWER CONNECTIONS

2 DETAIL
SCALE: NONE



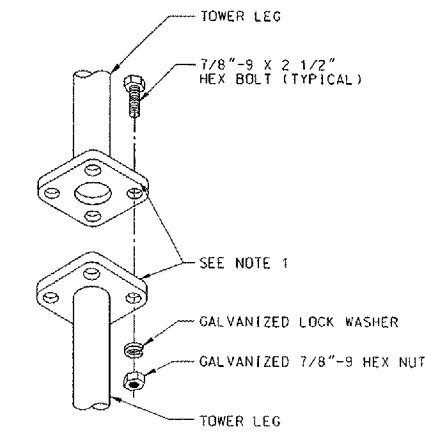
TYPICAL SAFETY CLIMB RAIL SPLICE JOINT

3 DETAIL
SCALE: NONE

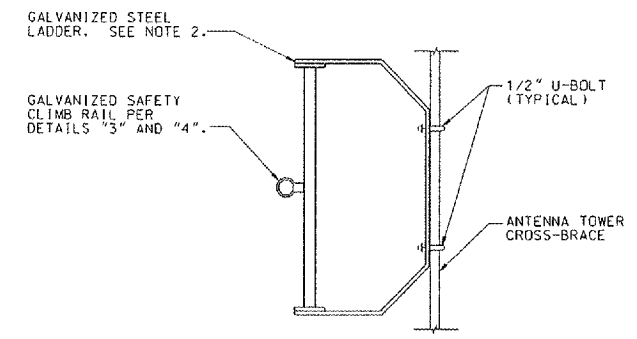


TYPICAL SAFETY CLIMB RAIL LADDER RUNG

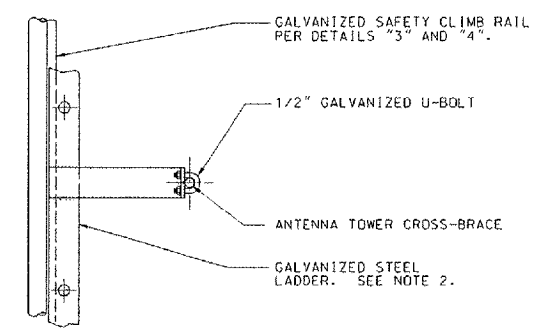
4 DETAIL
SCALE: NONE



5 DETAIL
SCALE: NONE



PLAN



ELEVATION LADDER ATTACHMENT TO ANTENNA TOWER

6 DETAIL
SCALE: NONE

CONTRACTOR SHALL SUBMIT REQUESTS FOR SUBSTITUTION OF SPECIFIC MANUFACTURER'S ITEMS SHOWN PER PARAGRAPH 1 OF THE SPECIAL SPECIFICATIONS.

SHEET 48 OF 67

DEPARTMENT OF TRANSPORTATION
FEDERAL AVIATION ADMINISTRATION
GREAT LAKES REGION CHICAGO, ILLINOIS
GLIDE SLOPE
ANTENNA TOWER ASSEMBLY DETAILS

REVIEWED BY	SUBMITTED BY	APPROVED BY
DESIGNED	ISSUED BY	PLATFORM MGR.
DRAWN	IMPLEMENTATION	DATE
CHECKED	EGS	DRAWING NO.

AURORA AURORA MUNICIPAL AIRPORT IL

PROJ ENGR, TIMOTHY DYER
TAD
CHICAGO NAS
CENTER

PLATFORM MGR, CLELAND MICHEEL
DATE 02/27/2006
DRAWING NO. ARR-D-GS33-S01

K:\Aurora\04-28504-Dwg\Sheet\FAA LS DCHS. CAT mod 3-10-06\ARR-D-GS33-S01.dgn
5/10/2006 5:07:04 PM BHAME3
RVT/SA

8 7 6 5 4 3 2 1