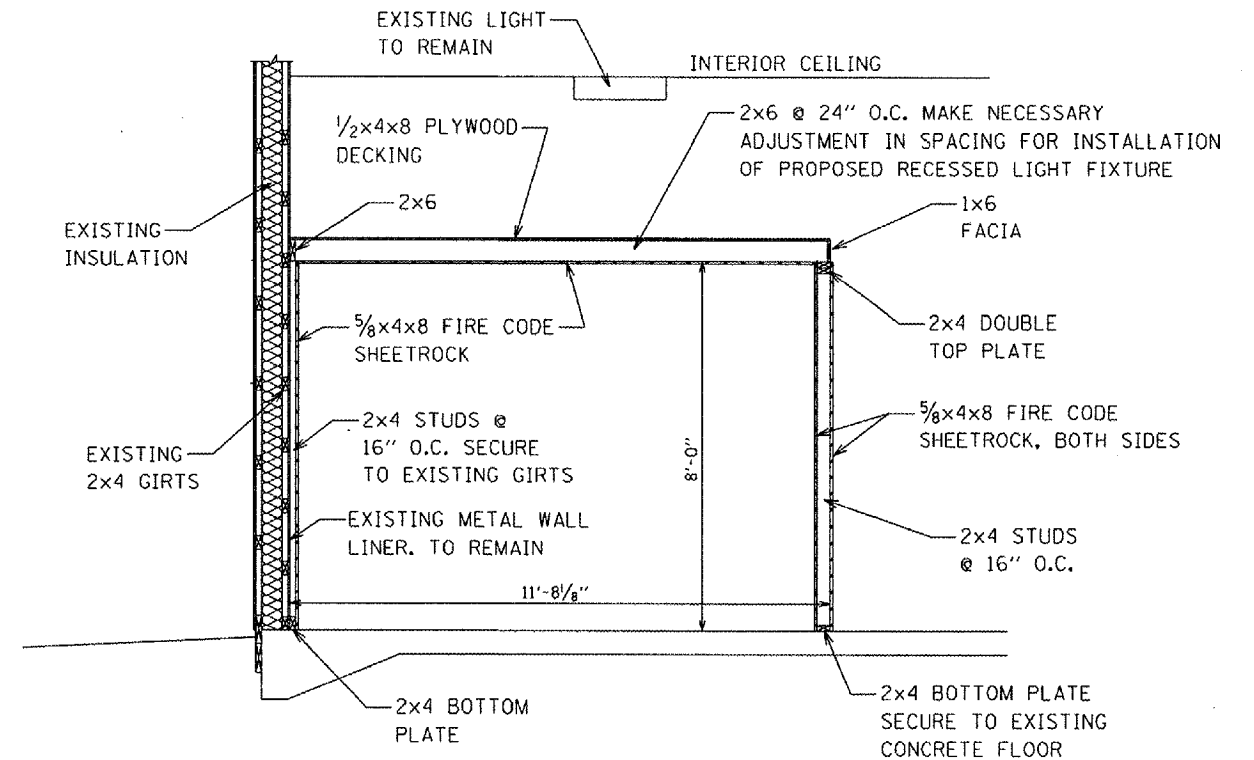


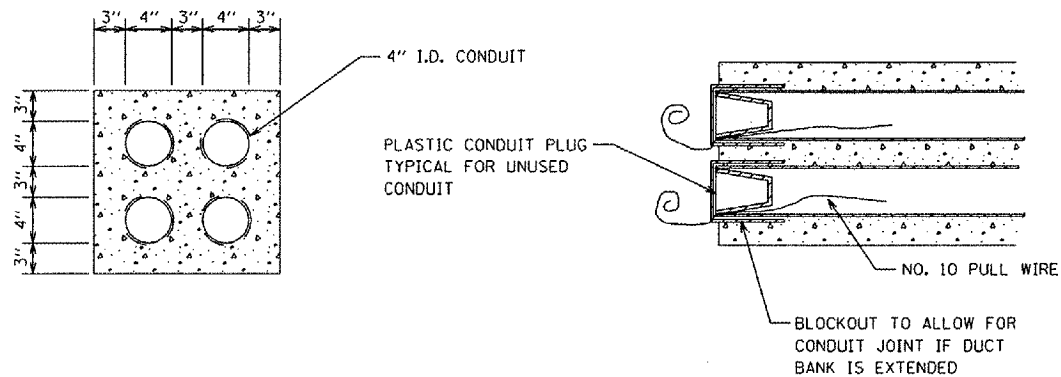
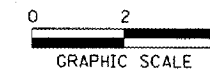
NOTES

1. THE CONCRETE BACKFILL FOR BASE CAN SHALL BE TROWEL FINISHED WITH A 45° BEVELED EDGE WITH THE SURFACE TO DRAIN.
2. THE PRIMARY CABLE CONNECTOR JOINTS SHALL BE WRAPPED WITH ONE LAYER OF RUBBER TAPE (SCOTCH NO. 63) AND ONE LAYER OF PLASTIC TAPE (SCOTCH NO. 88), ONE-HALF LAPPED, EXTENDING 1/2" EACH SIDE OF JOINT AND COVERED WITH HEAT SHRINK TUBING
3. A MINIMUM OF THREE FOOT OF CABLE SLACK SHALL BE LEFT AT EACH BASE CAN HANDHOLE. THIS REQUIRED SLACK WILL BE LEFT ON THE CABLE SIDE OF ALL PRIMARY CONNECTORS AND SPLICES. THIS REQUIRED SLACK WILL BE CONSIDERED INCIDENTAL TO THE CONTRACT.
4. ALL MOUNTING BOLTS SHALL BE COATED WITH AN ANTI-SIEZING LUBRICANT.
5. CONTRACTOR SHALL INSTALL HEAT SHRINK TUBING AT ALL TERMINATION OF UNIT DUCT (TYPICAL).

L-868 BASE CAN/HANDHOLE
NOT TO SCALE



ELECTRICAL ROOM WALL DETAIL



UNDERGROUND DUCT DETAIL
NOT TO SCALE

NOTES

1. DIMENSIONS SHOWN ARE MINIMUM.
2. TOP OF CONCRETE ENCASEMENT TO BE NOT LESS THAN 18" BELOW FINISHED SUBGRADE.
3. DUCT CONCRETE SHALL BE STRUCTURAL P.C. CONCRETE.
4. DUCT SHALL BE RIGID SCHEDULE 40 PVC CONDUIT.
5. ALL DUCT TO BE 4" UNLESS OTHERWISE SPECIFIED.
6. INSTALL CONCRETE DUCT MARKER TWO FEET SQUARE AND 4" THICK, AT ALL ENDS OF DUCTS.
7. ALLOWANCES SHALL BE MADE FOR ADDING A JOINT OF PVC CONDUIT FOR FUTURE EXTENSION OF THE DUCT BANK ON BOTH ENDS.

DATE	REVISION

GREATER BEARDSTOWN MUNICIPAL AIRPORT
CITY OF BEARDSTOWN, BEARDSTOWN, ILLINOIS

FILENAME	Electrical-Building_Details.dgn
SCALE	AS NOTED
DATE	MARCH 20, 2006
SHEET 8 OF 10 SHEETS	
LAYOUT	MGM 03/07/06
DRAWN	MGM 03/07/06
REVIEWED	RHG 03/07/06



BENTON & ASSOCIATES, INC.
1970 W. LAFAYETTE AVE., JACKSONVILLE IL 62650
(217) 245-4146 (217) 245-4149 FAX
KIRKVILLE MISSOURI
MACOMB ILLINOIS
ST. LOUIS MISSOURI

ELECTRICAL AND BUILDING DETAILS

ILL. PROJ. NO. K06-3439 A.I.P. PROJ. NO. 3-17-0004-B8