

MARKING NOTES

ALL RUNWAY MARKING WILL BE SOLID AND WHITE IN COLOR.

THE TAXIWAY CENTERLINE STRIPE, HOLDING POSITION, AND I.L.S. HOLDING POSITION MARKING WILL BE SOLID AND YELLOW IN COLOR. THE HOLDING POSITION MARKINGS WILL BE AS SPECIFIED IN THE DETAILS SHOWN ON THE FOLLOWING SHEET.

ALL PROPOSED MARKING WILL BE LOCATED AS SHOWN ON THIS SHEET.

ALL YELLOW & WHITE PROPOSED MARKING WILL HAVE A REFLECTIVE MEDIA APPLIED IN ACCORDANCE WITH THE SPECIFICATIONS.

CUT-OFF SHEETS WILL BE REQUIRED TO INSURE STRAIGHT EDGES.

ALL MARKING ON EXISTING AND PROPOSED PCC PAVEMENT AND HOLDING LINES SHALL HAVE A 6 INCH WIDE (MIN.) BLACK OUTLINE.

ALL PROPOSED MARKING ITEMS WILL BE PAID FOR AS FOLLOWS:
AR620520 "PAVEMENT MARKING-WATERBORNE" _____ PER SQ. FT.

WHERE CALLED FOR, THE CENTERLINE TAXIWAY WILL BE REMOVED BY SAND BLASTING OR WATER BLAST METHOD.

ALL PERMANENT MARKING REMOVAL ITEMS WILL BE PAID FOR AS FOLLOWS:
AR620900 "PAVEMENT MARKING REMOVAL" _____ PER SQ. FT.

MARKING QUANTITIES	
DESCRIPTION	TOTAL (S.F.)
TAXIWAY CENTERLINE STRIPING - YELLOW	2,327
TAXIWAY HOLDING POSITION - YELLOW	228
I.L.S. HOLDING POSITION - YELLOW	178
TOTAL YELLOW:	2,733
RUNWAY EDGE STRIPE - WHITE	240
TOTAL WHITE:	240
TAXIWAY CENTERLINE OUTLINE - BLACK	2,260
TAXIWAY HOLDING POSITION OUTLINE - BLACK	600
I.L.S. HOLDING POSITION OUTLINE - BLACK	375
RUNWAY EDGE STRIPE - BLACK	40
TOTAL BLACK:	3,275
TOTAL MARKING:	6,248

MARKING REMOVAL QUANTITIES	
DESCRIPTION	TOTAL (S.F.)
TAXIWAY CENTERLINE STRIPING - YELLOW	421

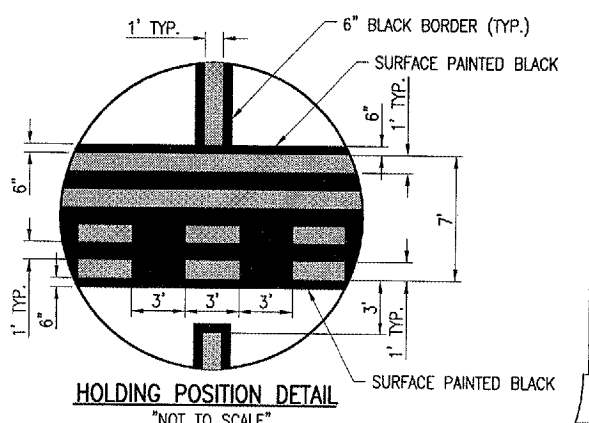
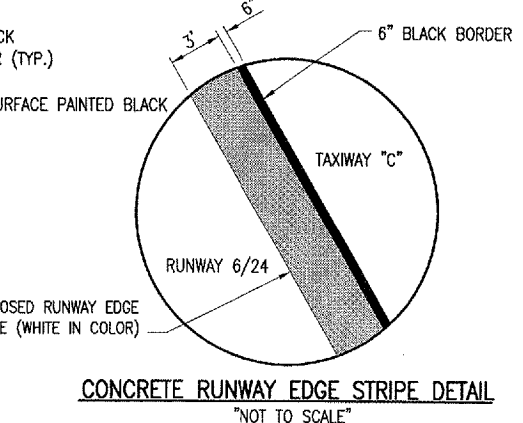
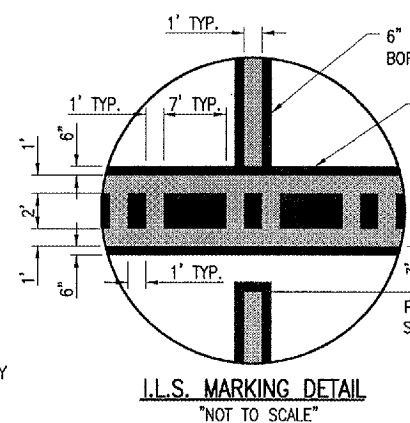
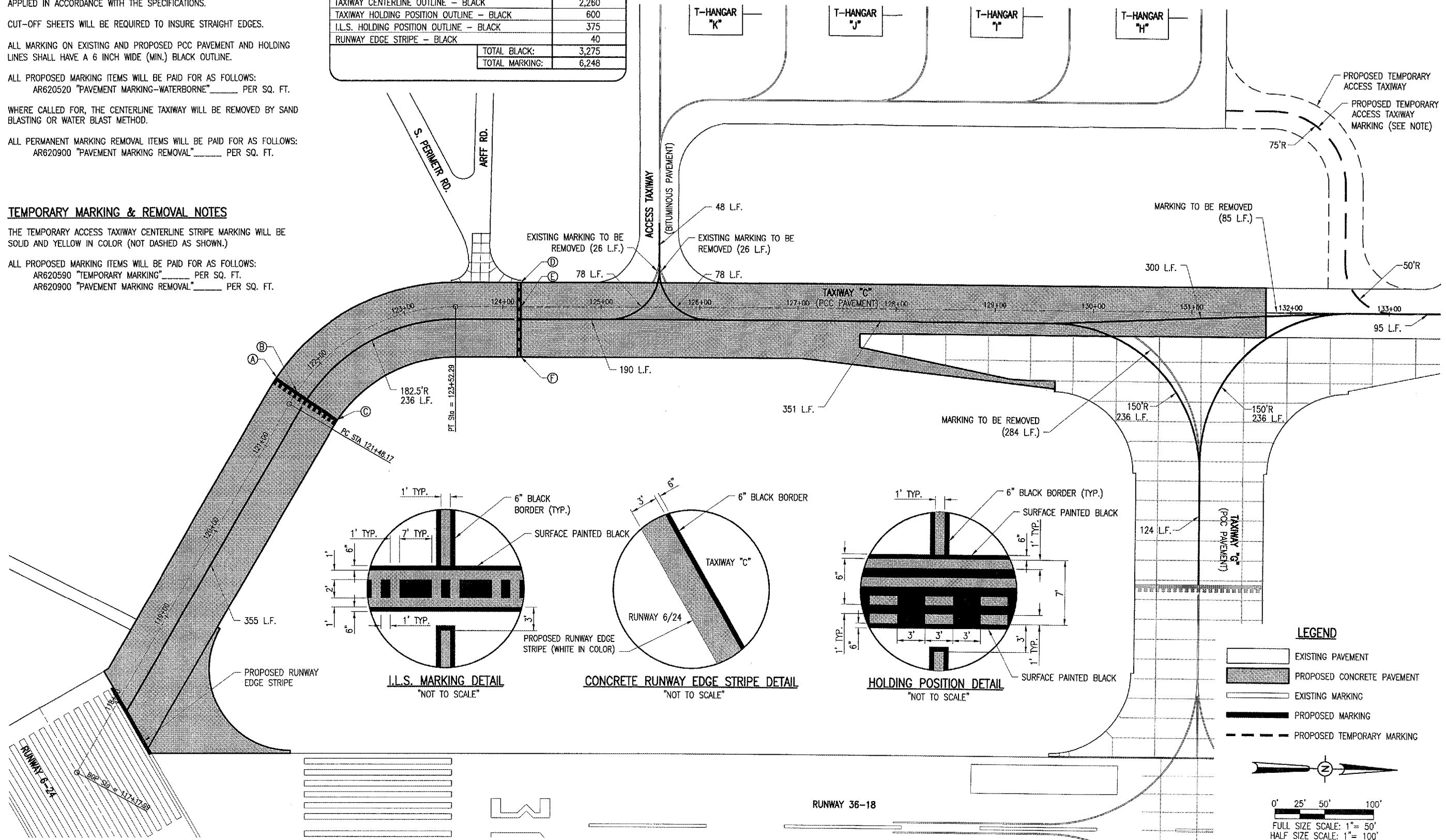
TEMPORARY MARKING & REMOVAL QUANTITIES	
DESCRIPTION	TOTAL (S.F.)
ACCESS TAXIWAY CENTERLINE STRIPING - YELLOW	125

COORDINATE DATA				
ID.	STATION	OFFSET	NORTHING	EASTING
A	121+62.99	25' LT.	1151623.0230	831917.0772
B	121+62.99	0	1151643.7820	831931.0078
C	121+62.99	50' RT.	1151685.3001	831958.8690
D	124+19.07	25' LT.	1151869.9947	831819.0782
E	124+19.07	0	1151870.2200	831844.0771
F	124+19.07	50' RT.	1151870.6707	831894.0751

TEMPORARY MARKING & REMOVAL NOTES

THE TEMPORARY ACCESS TAXIWAY CENTERLINE STRIPE MARKING WILL BE SOLID AND YELLOW IN COLOR (NOT DASHED AS SHOWN.)

ALL PROPOSED MARKING ITEMS WILL BE PAID FOR AS FOLLOWS:
AR620590 "TEMPORARY MARKING" _____ PER SQ. FT.
AR620900 "PAVEMENT MARKING REMOVAL" _____ PER SQ. FT.



LEGEND

- EXISTING PAVEMENT
- PROPOSED CONCRETE PAVEMENT
- EXISTING MARKING
- PROPOSED MARKING
- PROPOSED TEMPORARY MARKING

LEGEND

0' 25' 50' 100'

FULL SIZE SCALE: 1" = 50'
HALF SIZE SCALE: 1" = 100'

 DECATUR, ILLINOIS	 HANSON <small>Hanson Professional Services Inc. 1625 South State Street Springfield, MO 65803-2686 Offices Nationwide</small>	TAXIWAY "C" RECONSTRUCTION	PROPOSED MARKING PLAN
I.L. PROJ.: DEC-3588 A.I.P. PROJ.: 3-17-00	02/15/06 02/15/06 03/31/06	02/15/06 02/15/06 03/31/06	02/15/06 02/15/06 03/31/06
25 <small>25 of 56 sheets</small>			

APR 27, 2006 10:54 PM RAW
 I:\AIRPORTS\DECATUR\802-06TXY AIRPORT SHEETS\8-151MRK.DWG - Sheet 25