

**SEEDING DATA**

THE GRADING LIMITS ARE SHOWN ON THIS SHEET BY A HEAVY DASHED LINE (---). ALL AREAS WITHIN THESE LIMITS, EXCEPT THE PROPOSED PAVEMENT, SHALL BE LIMED, FERTILIZED AND SEEDED IN ACCORDANCE WITH THE FOLLOWING FORMULA AND RATES OF APPLICATION.

LIME (TONS PER ACRE) \_\_\_\_\_ 2  
 FERTILIZER (MINIMUM POUNDS OF AVAILABLE PLANT FOOD PER ACRE)

N	90
P <sub>2</sub> O <sub>5</sub>	350
K <sub>2</sub> O	240
<b>TOTAL</b>	<b>680</b>

SEEDING (MINIMUM POUNDS OF PURE LIVE SEED PER ACRE)

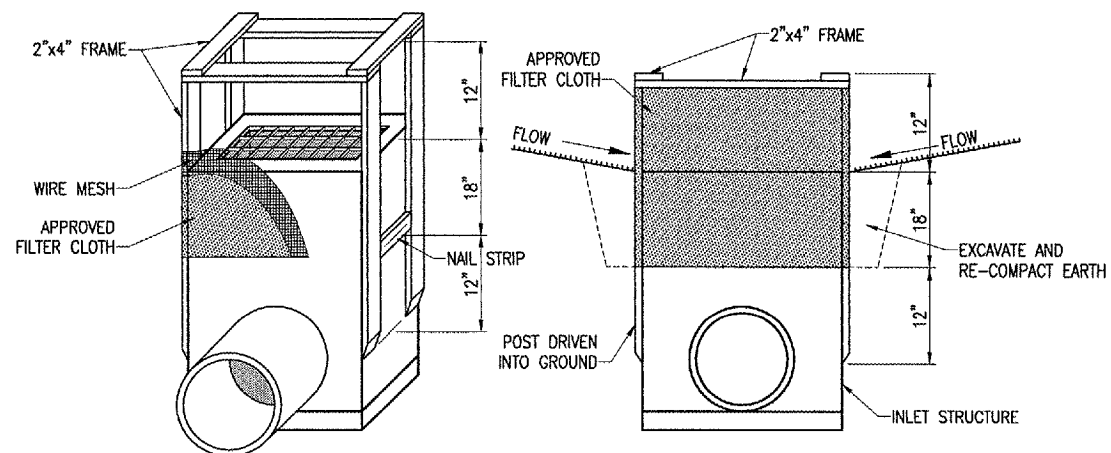
ALTA FESCUE	80
PERENNIAL RYEGRASS	30
CREeping RED FESCUE	20
SPRING OATS	48
AREA TO BE SEEDED	4.3 ACRES
DATE SEEDING COMPLETED	

**MULCHING DATA**

ALL EARTHEN AREAS WITHIN THE GRADING LIMITS WILL BE MULCHED IN ACCORDANCE WITH THE SUPPLEMENTAL SPECIFICATIONS AND SPECIAL PROVISIONS AT THE RATE OF 2 TONS PER ACRE.

HYDRAULICALLY APPLIED HYDROSTRAW™, OR AN APPROVED EQUAL, WILL BE USED, APPLIED AS DEFINED IN THE SPECIAL PROVISIONS.

AREA TO BE MULCHED \_\_\_\_\_ 4.3 ACRES  
 DATE MULCHING COMPLETED \_\_\_\_\_



**INLET PROTECTION DETAIL**

"NOT TO SCALE"

**INLET PROTECTION NOTES**

THE PROPOSED INLET PROTECTION WILL BE PLACED AT THE LOCATIONS SHOWN ON THIS SHEET AND THE FOLLOWING SHEET.

INSPECTION OF THE INLET PROTECTION SHALL BE FREQUENT AND REPAIR/REPLACEMENT SHALL BE MADE PROMPTLY AS NEEDED.

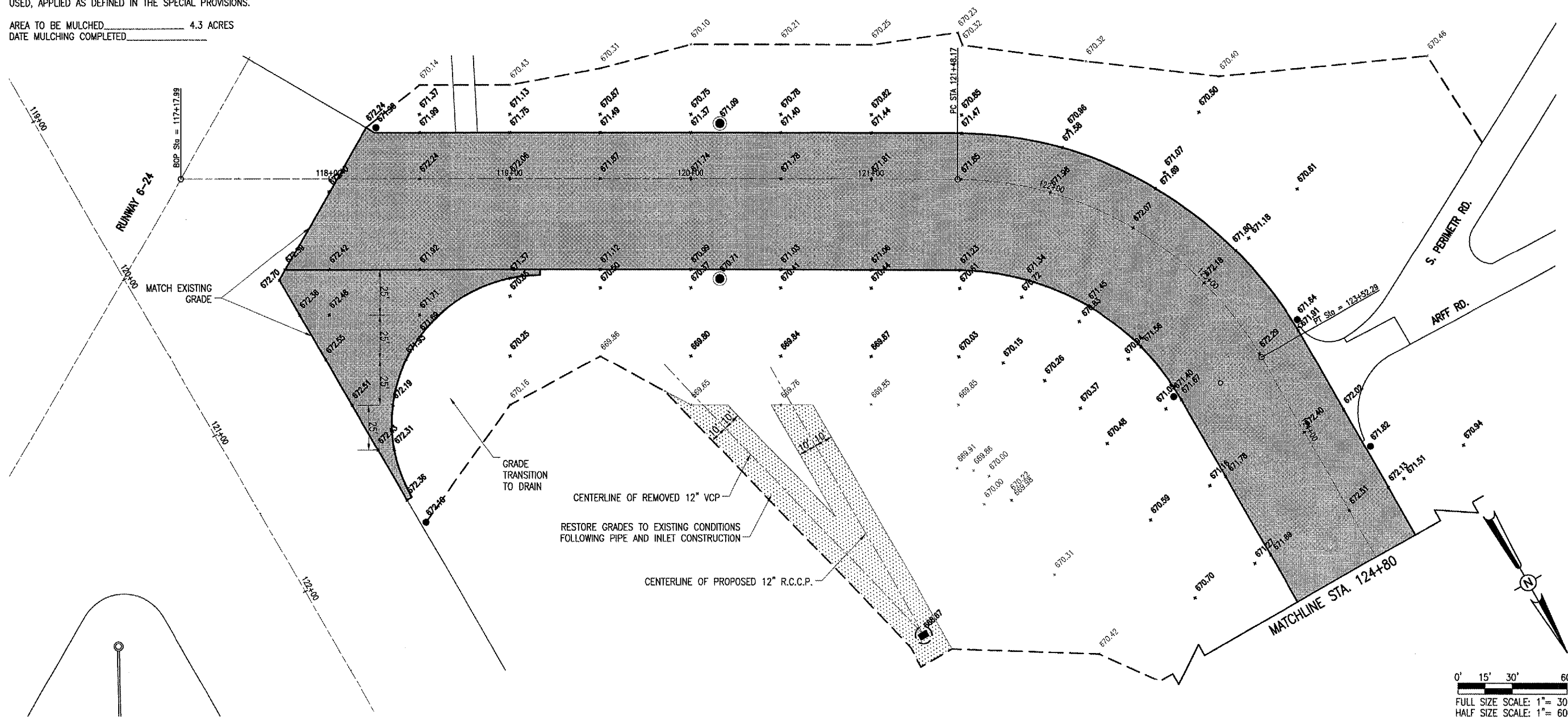
THE INLET PROTECTION SHALL BE REMOVED WHEN THEY HAVE SERVED THEIR USEFULNESS SO AS NOT TO BLOCK OR IMPEDE STORM WATER DRAINAGE.

THE INLET PROTECTION SHALL BE CONSTRUCTED IN ACCORDANCE WITH IEPA STANDARDS AND SPECIFICATIONS FOR SOIL EROSIONS AND SEDIMENT CONTROL.

ALL THE LABOR, MATERIALS, AND EQUIPMENT NECESSARY TO CONSTRUCT AND MAINTAIN THE INLET PROTECTION AS SHOWN IN THE DETAIL AND AT THE LOCATIONS SHOWN WILL BE PAID FOR UNDER ITEM AR156520 "INLET PROTECTION" \_\_\_\_\_ 2 EACH.

**LEGEND**

- EXISTING PAVEMENT
- PROPOSED IMPROVEMENTS
- PROPOSED GRADE
- EXISTING GRADE
- PROPOSED INSPECTION HOLE
- EXISTING INSPECTION HOLE
- PROPOSED INLET
- EXISTING INLET
- PROPOSED MANHOLE
- EXISTING MANHOLE
- PROPOSED SEEDING LIMITS
- PROPOSED INLET PROTECTION



HEI Project No. 802-06TXXD.0800 Filename R-191STK.DWG Scale 1"=30' Date 02/24/06	LAYOUT CCC 02/24/06 DRAWN CCC 02/24/06 REVIEWED WJM 03/31/06	DECATUR, ILLINOIS A.I.P. PROJ.: 3-17-00 IL PROJ.: DEC-3568	TAXIWAY "C" RECONSTRUCTION PROPOSED STAKING, GRADING, SEEDING AND MULCHING PLAN STA. 117+99 TO STA. 124+80	<p style="font-size: 24pt; font-weight: bold;">26</p> <p style="font-size: 8pt;">26 of 56 sheets</p>
---	--	--	--	--

MAY 01, 2006 2:09 PM RAW  
 I:\AIRPORTS\DECATUR\802-06TXXD\AIRPORT\SHEETS\19-191STK.DWG - STA. 117+99 TO STA. 124+80