

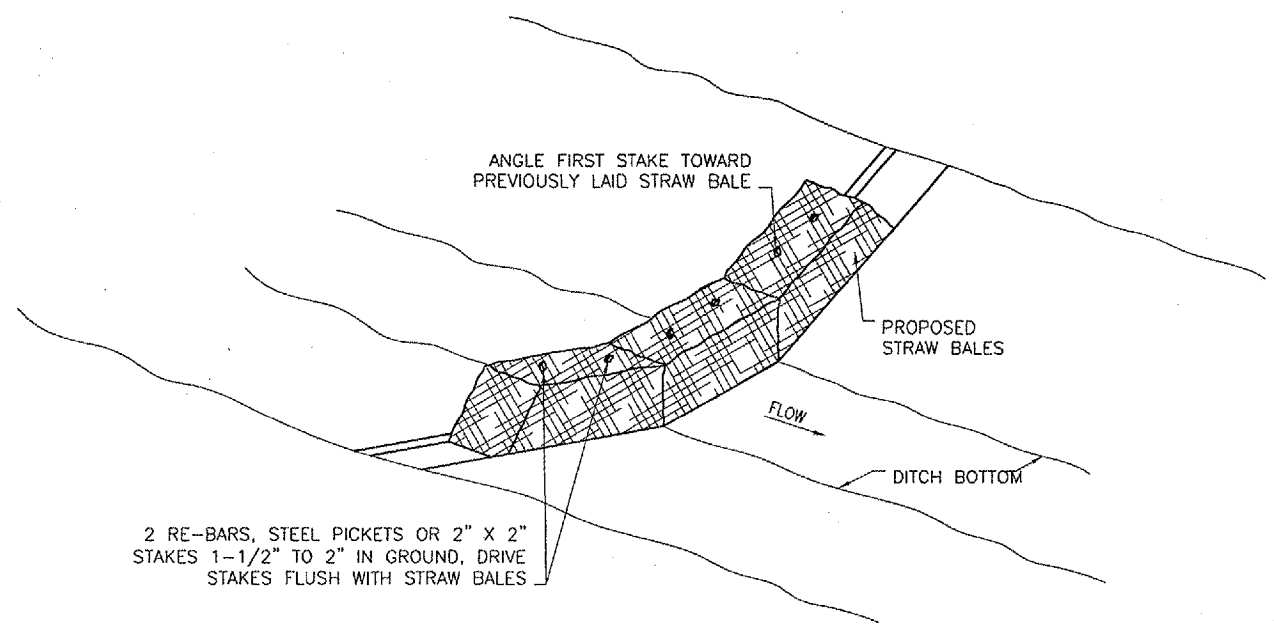
DATE	REVISION	BY

DTMAX
DEKALB TAYLOR MUNICIPAL AIRPORT
 AIP PROJ.: 3-17-0139-B43
 IL PROJ.: DKB-3448

HEL Project No.	803051XAD 0800
Filename	R-581 SWP.DWG
Scale	N.T.S.
Date	01/05/04
LAYOUT	MDR 01/05/07
DRAWN	MDR 01/05/04
REVIEWED	CAH 03/06/06

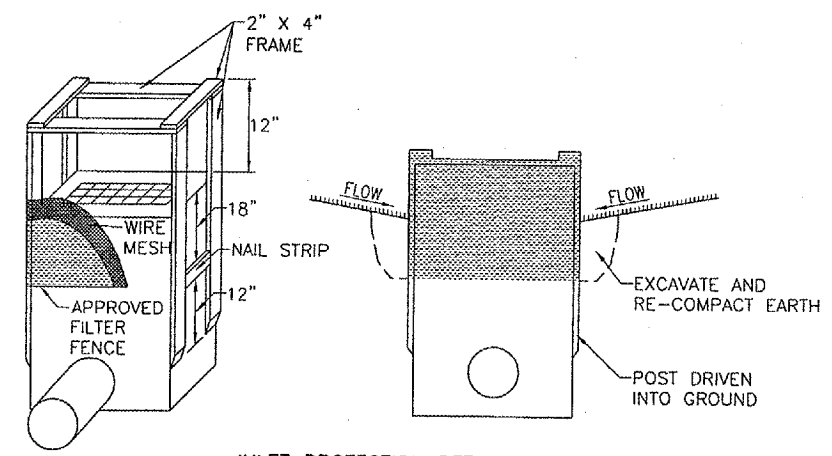
HANSON
 Hanson Professional Services Inc.
 1525 South Sixth Street
 Springfield, Illinois 62703-2886
 Offices Nationwide

DEKALB AIRPORT
 IMPROVEMENTS
 PROPOSED STORM WATER
 POLLUTION PREVENTION PLAN
 DETAIL SHEET

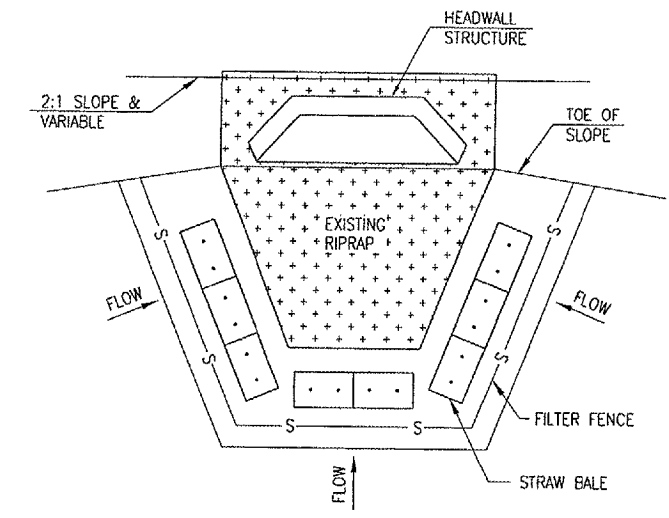


ANCHORING DETAIL

DITCH CHECK DETAIL
 "NOT TO SCALE"

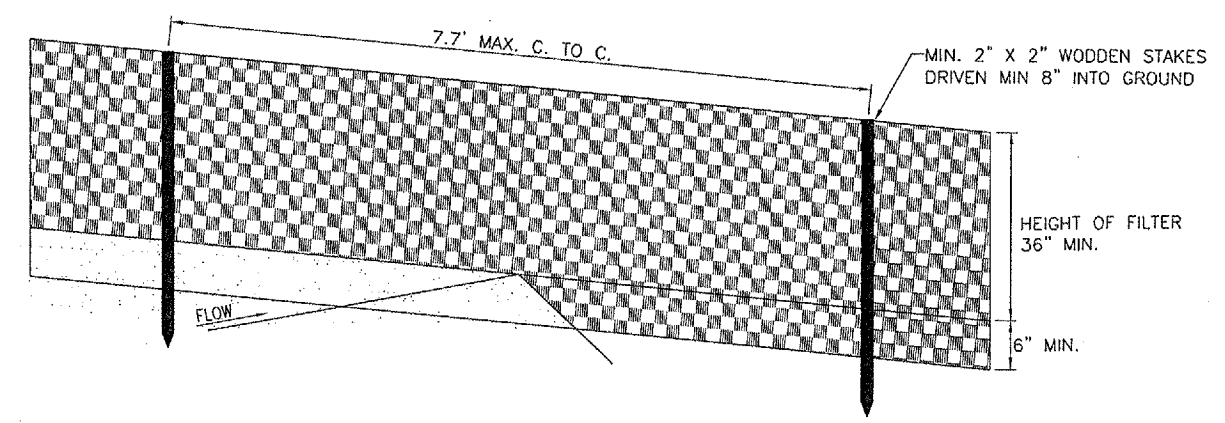


INLET PROTECTION DETAIL
 "NOT TO SCALE"

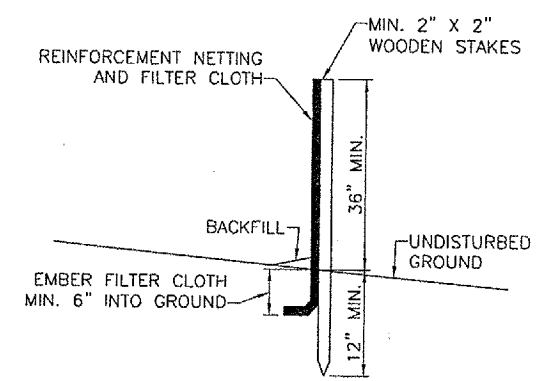


HEADWALL STRUCTURE PROTECTION
 "NOT TO SCALE"

NOTE:
 HEADWALLS FOR 42-IN RCP REQUIRE 2 STRAW BALES
 AND 2 L.F. OF SILT FILTER FENCE.



PERSPECTIVE VIEW



SECTION

FILTER FENCE DETAIL
 "NOT TO SCALE"

MAY 16, 2006 7:40 AM BAK
 I:\AIRPORTS\DEKALB\803-051XVA AIRPORT\SHEETS\GENERAL\R-581 SWP.DWG