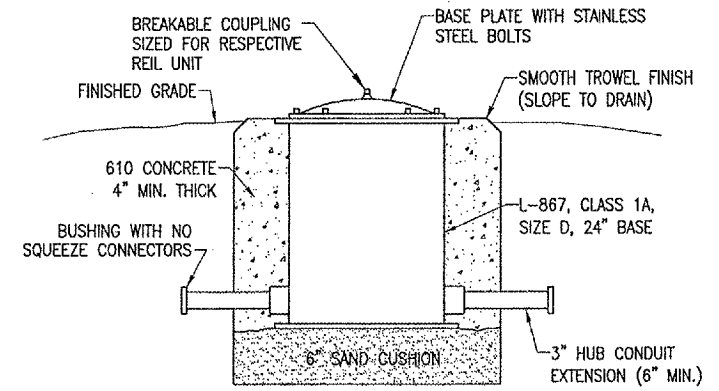


REIL INSTALLATION DETAIL
NOT TO SCALE



REIL BASE DETAIL
(NOT TO SCALE)

INCLUDE INTERNAL AND EXTERNAL GROUND LUGS

NOTES

1. VERIFY INSTALLATION & WIRING REQUIREMENTS WITH THE RESPECTIVE REIL MANUFACTURER.
2. REILS SHALL BE AIMED AT ANGLE 10 DEGREES VERTICALLY AND TOED OUT 15 DEGREES FROM THE LINE PARALLEL TO THE RUNWAY CENTERLINE.
3. RELOCATION OF REILS SHALL BE PAID FOR UNDER ITEM AR125967 RELOCATE REILS - PER PAIR.

APR 07, 2006 10:12 AM BAK I:\AIRPORTS\DEKALB\803-05TXVA\AIRPORT\SHEETS\ELECTRICAL\E-503.DWG

DATE	REVISION	BY



AIP PROJ.: 3-17-0139-B42 I.L. PROJ.: DK0-3448

HP's Project No.	80305TXVAD_0800
File name	E-503.DWG
Scale	NONE
Date	04/22/05
LAYOUT	KNL 02/03/05
DRAWN	MV 02/03/05
REVIEWED	CAH 12/16/05



Hanson Professional Services Inc.
1025 South Shiloh Rd.
Springer, Oklahoma 74086
Offices Nationwide

REMOVE AND REGRADE RUNWAY END 2
REIL INSTALLATION DETAIL