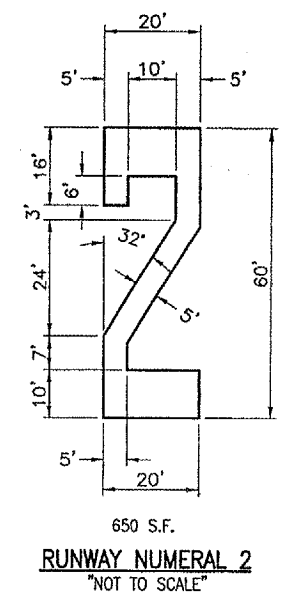
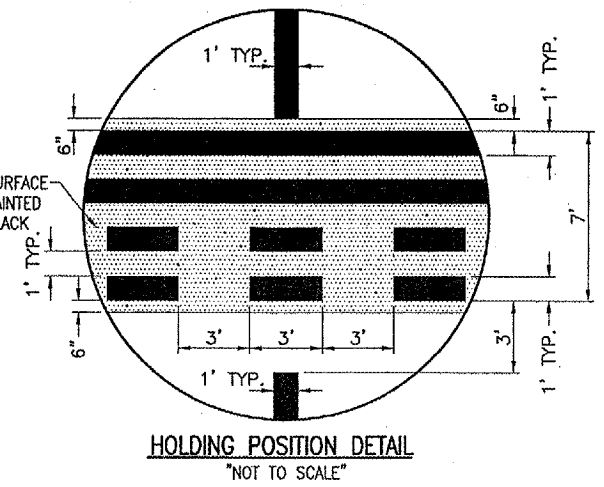
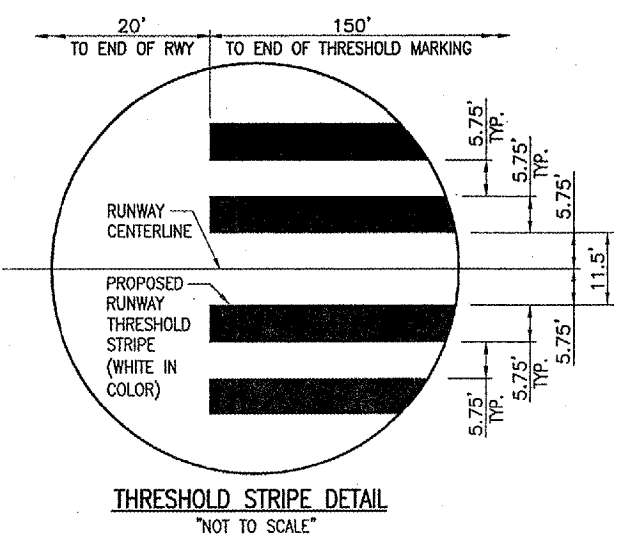
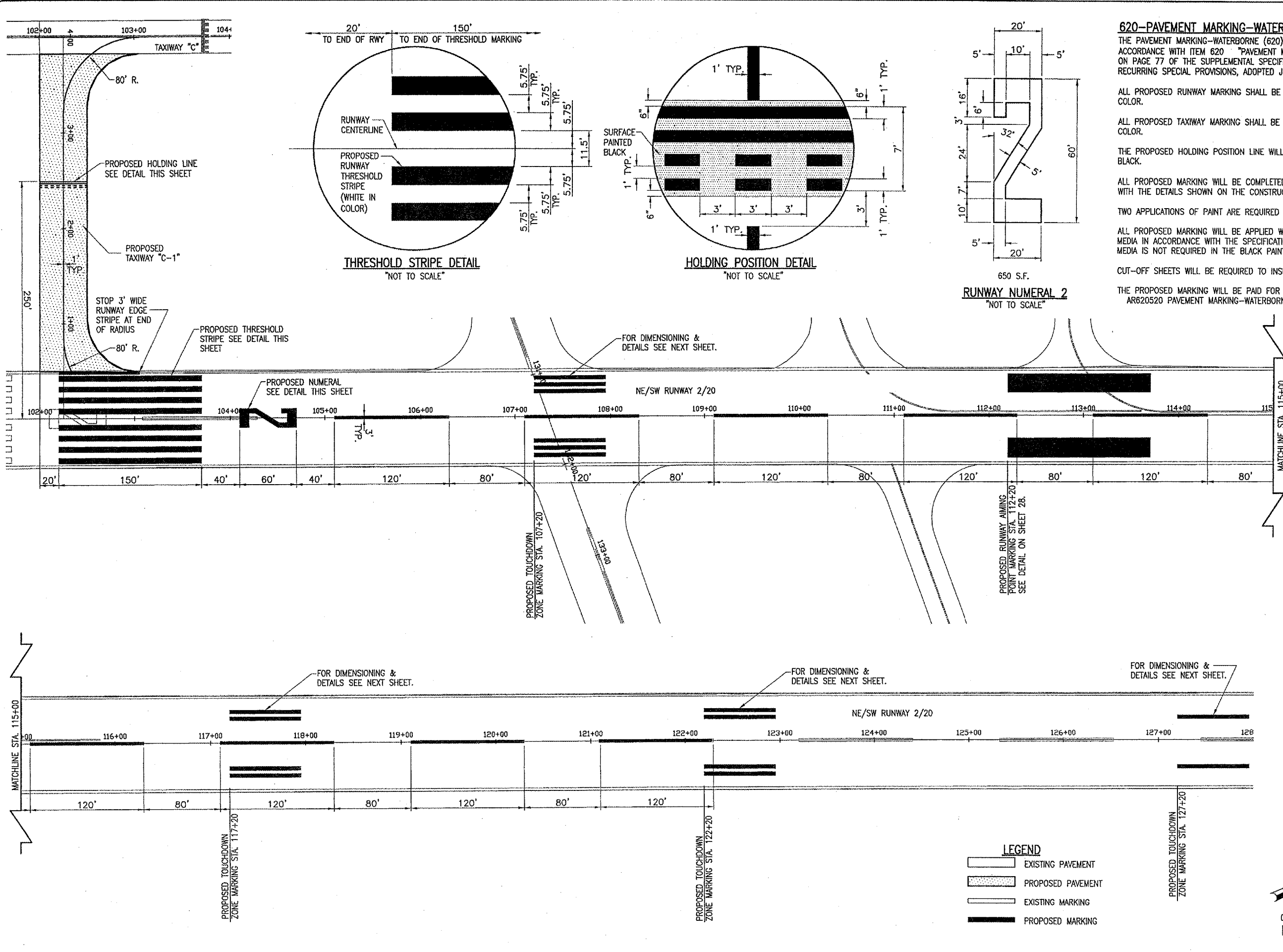


APR 03, 2006 2:24 PM BAK
 F:\AIRPORTS\DEKALB\803-05TYXA AIRPORT SHEETS\RWY -2\1R-151MRK.DWG



620-PAVEMENT MARKING-WATERBORNE NOTES DK050

THE PAVEMENT MARKING-WATERBORNE (620) SHALL BE PLACED IN ACCORDANCE WITH ITEM 620 "PAVEMENT MARKING" AS STATED ON PAGE 77 OF THE SUPPLEMENTAL SPECIFICATIONS AND RECURRING SPECIAL PROVISIONS, ADOPTED JULY 1, 2004.

ALL PROPOSED RUNWAY MARKING SHALL BE SOLID AND WHITE IN COLOR.

ALL PROPOSED TAXIWAY MARKING SHALL BE SOLID AND YELLOW IN COLOR.

THE PROPOSED HOLDING POSITION LINE WILL BE OUTLINED IN BLACK.

ALL PROPOSED MARKING WILL BE COMPLETED IN ACCORDANCE WITH THE DETAILS SHOWN ON THE CONSTRUCTION PLANS.

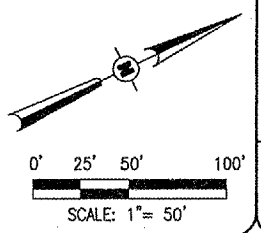
TWO APPLICATIONS OF PAINT ARE REQUIRED FOR ALL MARKING.

ALL PROPOSED MARKING WILL BE APPLIED WITH A REFLECTIVE MEDIA IN ACCORDANCE WITH THE SPECIFICATIONS. REFLECTIVE MEDIA IS NOT REQUIRED IN THE BLACK PAINT.

CUT-OFF SHEETS WILL BE REQUIRED TO INSURE STRAIGHT EDGES.

THE PROPOSED MARKING WILL BE PAID FOR UNDER ITEM: AR620520 PAVEMENT MARKING-WATERBORNE... 41,018 S.F.

- LEGEND**
- EXISTING PAVEMENT
 - PROPOSED PAVEMENT
 - EXISTING MARKING
 - PROPOSED MARKING



REVISION	DATE	BY

AIP PROJ.: 3-17-0139-842
 IL PROJ.: DKB-3448

DIMAX
 DEKALB TAYLOR MUNICIPAL AIRPORT

Proj. No. 80303MALSD	12/29/03
Drawn R-151MRK.DWG	12/29/03
Scale 1" = 50'	12/29/03
Date 12/29/03	03/06/06
LAYOUT CHH	CAH
DRAWN MDR	CAH
REVIEWED	CAH

HANSON

Hanson Professional Services Inc.
 1625 South Sixth Street
 Springfield, Illinois 62702-2886
 Offices Nationwide

REMOVE AND REGRADE
 RUNWAY END 2
 PROPOSED
 MARKING PLAN
 STA. 102+00 TO STA. 128+00