

| BY | REVISION | DATE |
|----|----------|------|
| | | |
| | | |

DTMAX
DEKALB TAYLOR MUNICIPAL AIRPORT

| | |
|-----------------------------|--------------------------|
| Project No. 803-051XAD_0800 | Date 01/18/06 |
| Filename R-121CON.DWG | J.E.O. 01/18/06 |
| Scale 1" = 50' | B.A.K. 01/18/06 |
| Date 01/18/06 | REVIEWED C.A.H. 02/22/06 |

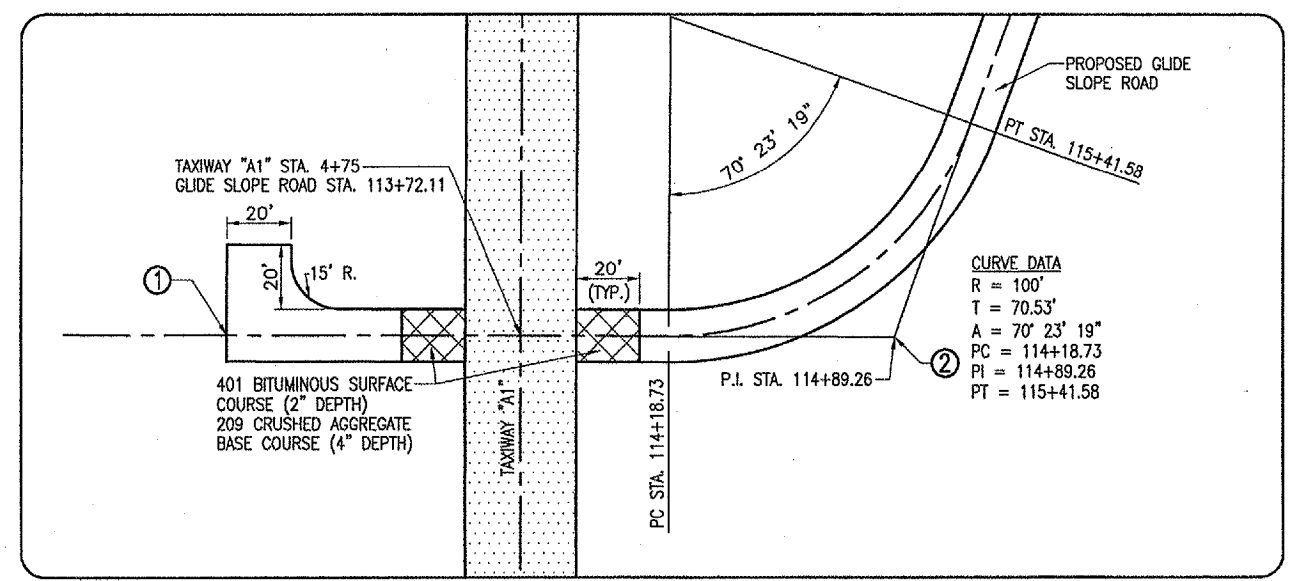
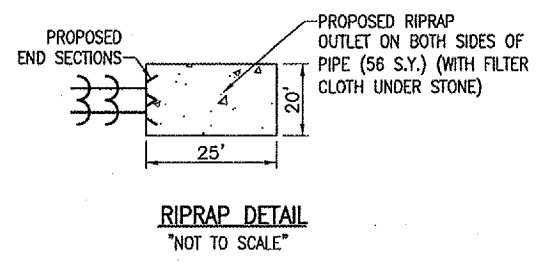
HANSON
 Hanson Professional Services Inc.
 1525 South Sixth Street
 Springfield, Illinois 62705-2886
 Offices Nationwide

EXTEND TAXIWAY "A"
 PROPOSED CONST./DRAINAGE PLAN FOR GLIDE SLOPE ROAD STA. 116+00 TO STA. 125+30.62

- LEGEND**
- EXISTING PAVEMENT
 - PROPOSED PAVEMENT
 - EXISTING SANITARY SEWER
 - SS EXISTING STORM SEWER
 - SS PROPOSED STORM SEWER
 - EXISTING SANITARY SEWER MANHOLE
 - EXISTING STORM SEWER MANHOLE
 - EXISTING STORM SEWER HEADWALL
 - PROPOSED END SECTION
 - PROPOSED SWALE

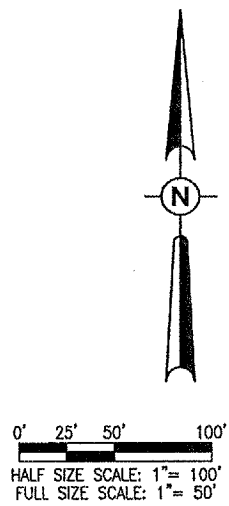
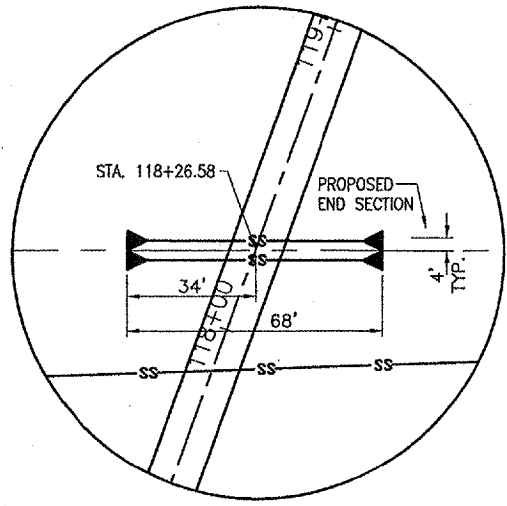
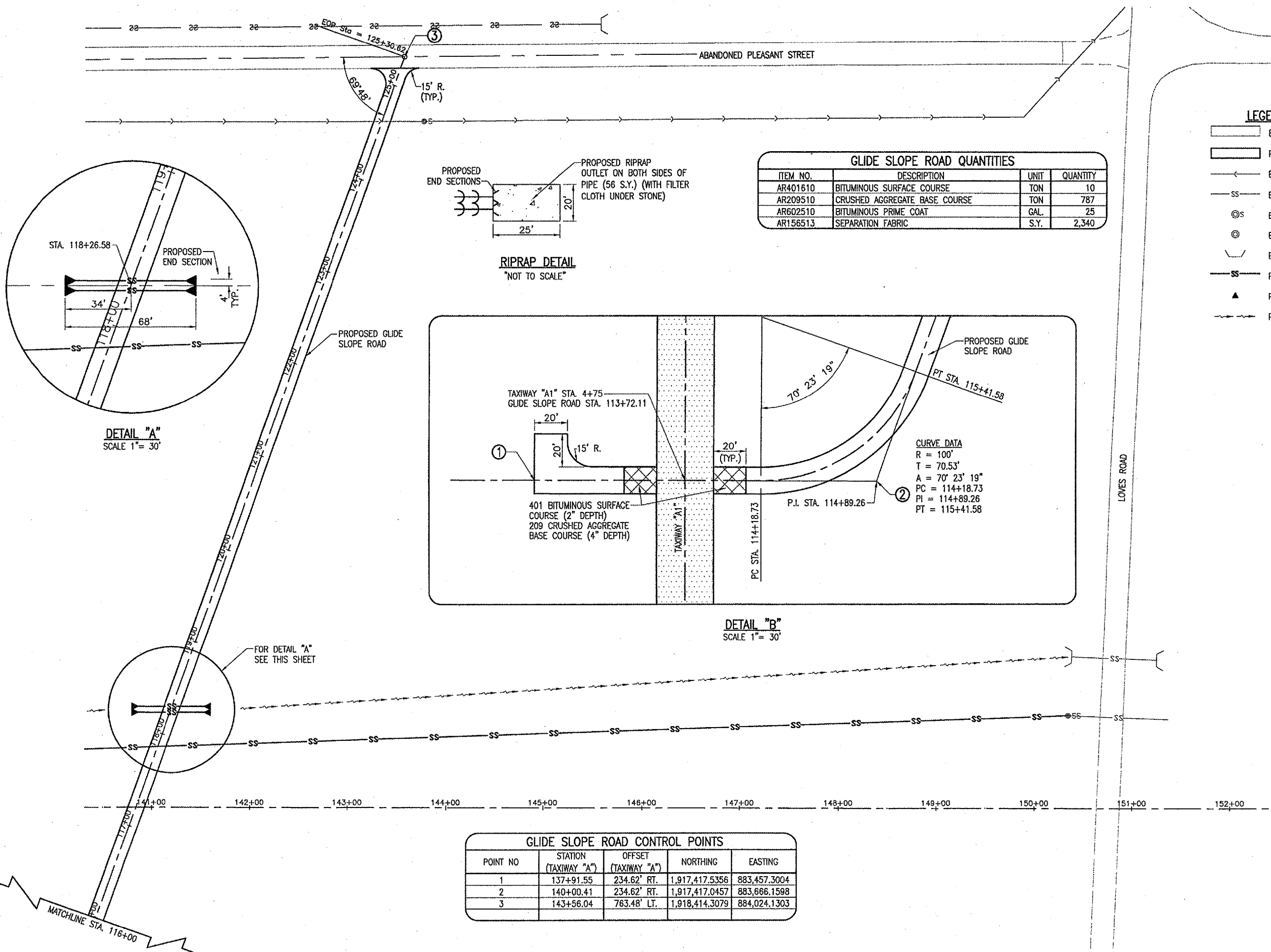
GLIDE SLOPE ROAD QUANTITIES

| ITEM NO. | DESCRIPTION | UNIT | QUANTITY |
|----------|-------------------------------|------|----------|
| AR401610 | BITUMINOUS SURFACE COURSE | TON | 10 |
| AR209510 | CRUSHED AGGREGATE BASE COURSE | TON | 787 |
| AR602510 | BITUMINOUS PRIME COAT | GAL. | 25 |
| AR156513 | SEPARATION FABRIC | S.Y. | 2,340 |



GLIDE SLOPE ROAD CONTROL POINTS

| POINT NO | STATION (TAXIWAY "A") | OFFSET (TAXIWAY "A") | NORTHING | EASTING |
|----------|-----------------------|----------------------|----------------|--------------|
| 1 | 137+91.55 | 234.62' RT. | 1,917,417.5356 | 883,457.3004 |
| 2 | 140+00.41 | 234.62' RT. | 1,917,417.0457 | 883,666.1598 |
| 3 | 143+56.04 | 763.48' LT. | 1,918,414.3079 | 884,024.1303 |



APR 13, 2006 8:33 AM CAH I:\AIRPORTS\DEKALB\803-051XAD\AIRPORT SHEETS\TWY-A EXT\R-121CON.DWG - Layout1 (2)