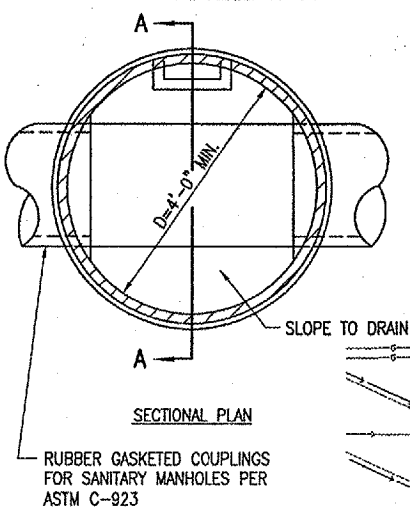


SANITARY MANHOLE DETAIL
TYPE A
"NOT TO SCALE"



THE LOCATION, SIZE AND TYPE OF MATERIAL OF EXISTING UNDERGROUND UTILITIES INDICATED ON THE PLANS IS NOT REPRESENTED AS BEING ACCURATE, SUFFICIENT OR COMPLETE. IT SHALL BE THE CONTRACTOR'S RESPONSIBILITY TO DETERMINE THE ACTUAL LOCATION OF ALL SUCH FACILITIES, INCLUDING SERVICE CONNECTIONS TO UNDERGROUND UTILITIES. PRIOR TO CONSTRUCTION, THE CONTRACTOR SHALL NOTIFY THE UTILITY COMPANIES OF HIS OPERATIONAL PLANS AND SHALL OBTAIN FROM THE RESPECTIVE UTILITY COMPANIES DETAILED INFORMATION AND ASSISTANCE RELATIVE TO THE LOCATION OF THEIR FACILITIES AND THE WORKING SCHEDULE OF THE COMPANIES FOR REMOVAL OR ADJUSTMENT WHERE REQUIRED. IN THE EVENT AN UNEXPECTED UTILITY INTERFERENCE IS ENCOUNTERED DURING CONSTRUCTION, THE CONTRACTOR SHALL IMMEDIATELY NOTIFY THE UTILITY COMPANY OF JURISDICTION. THE ENGINEER SHALL ALSO BE IMMEDIATELY NOTIFIED. ANY SUCH MAINS AND SERVICES SHALL BE RESTORED TO SERVICE AT ONCE AND PAID FOR BY THE CONTRACTOR AT NO ADDITIONAL COST TO THE CONTRACT.

CALL J.U.L.I.E. FOR UTILITY INFORMATION AT 1-800-892-0123.

SUMMARY OF SANITARY QUANTITIES			
ITEM NO.	DESCRIPTION	UNIT	QUANTITY
AR770704	SANITARY MANHOLE, 4'	EACH	1
AR770516	16" DUCTILE IRON SANITARY SEWER	L.F.	410
AR770905	REMOVE SANITARY MANHOLE	EACH	1
AR770945	ADJUST SANITARY MANHOLE	EACH	1

NOTES:

THE PROPOSED SANITARY SEWER LINE WILL BE PLACED IN ACCORDANCE WITH THE STANDARD SPECIFICATIONS FOR WATER AND SEWER MAIN CONSTRUCTION IN ILLINOIS, THE DEKALB SANITARY DISTRICT "STANDARD NOTES AND DETAILS", AND UNDER THE GUIDELINES OF THE ILLINOIS ENVIRONMENTAL PROTECTION AGENCY'S TITLE 35: SUBTITLE C: CHAPTER II: PART 370 - ILLINOIS RECOMMENDED STANDARDS FOR SEWAGE WORKS, IN CONJUNCTION WITH THE CONSTRUCTION PLANS AND SPECIAL PROVISIONS.

THE LOCATIONS OF UTILITIES AS SHOWN ON THIS SHEET ARE APPROXIMATE AND ARE INTENDED FOR INFORMATIONAL PURPOSES ONLY. IT WILL BE THE CONTRACTOR'S RESPONSIBILITY TO OBTAIN THE EXACT LOCATIONS OF ANY AND ALL UTILITIES. ANY DAMAGE TO AN EXISTING UTILITY WILL BE REPAIRED TO THE SATISFACTION OF THE ENGINEER AT THE CONTRACTOR'S OWN EXPENSE.

THE PROPOSED SANITARY SEWER LINE WILL BE PLACED ON THE LINE AND GRADE SHOWN.

THE CONTRACTOR WILL PLACE 16" DUCTILE-IRON SANITARY SEWER PIPE INSIDE THE EXISTING SANITARY MANHOLE AT THE PROPOSED FLOWLINE, IN A NEAT WORKMANLIKE MANNER ACCEPTABLE TO THE RESIDENT ENGINEER. THIS WORK WILL BE CONSIDERED AS AN INCIDENTAL ITEM TO THE INSTALLATION OF THE PROPOSED 16" DUCTILE-IRON SANITARY SEWER PIPE AND NO ADDITIONAL COMPENSATION WILL BE ALLOWED.

THE PROPOSED DUCTILE IRON PIPE SHALL CONFORM TO ANSI A 21.51 (AWWA C-151), CLASS THICKNESS DESIGNED PER ANSI A 21.50 (AWWA C-150), TAR (SEAL) COATED AND/OR CEMENT LINED PER ANSI A 21.4 (AWWA C-104), WITH MECHANICAL OR RUBBER RING (SLIP SEAL OR PUSH ON) JOINTS.

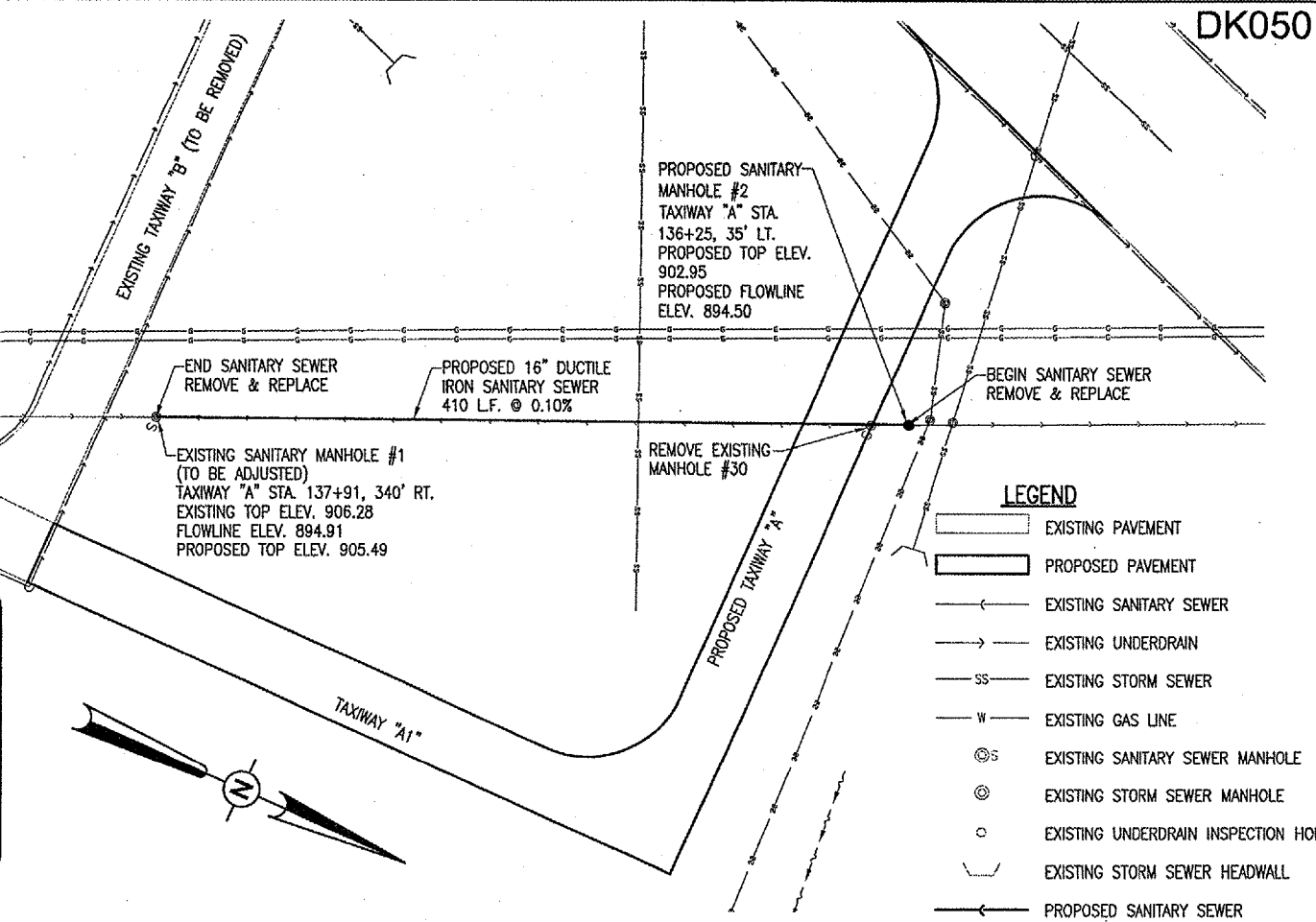
UPON COMPLETION OF THE INSTALLATION OF THE PROPOSED SANITARY SEWER LINE, THE CONTRACTOR WILL SMOOTH GRADE THE WORK AREA.

NOTES:

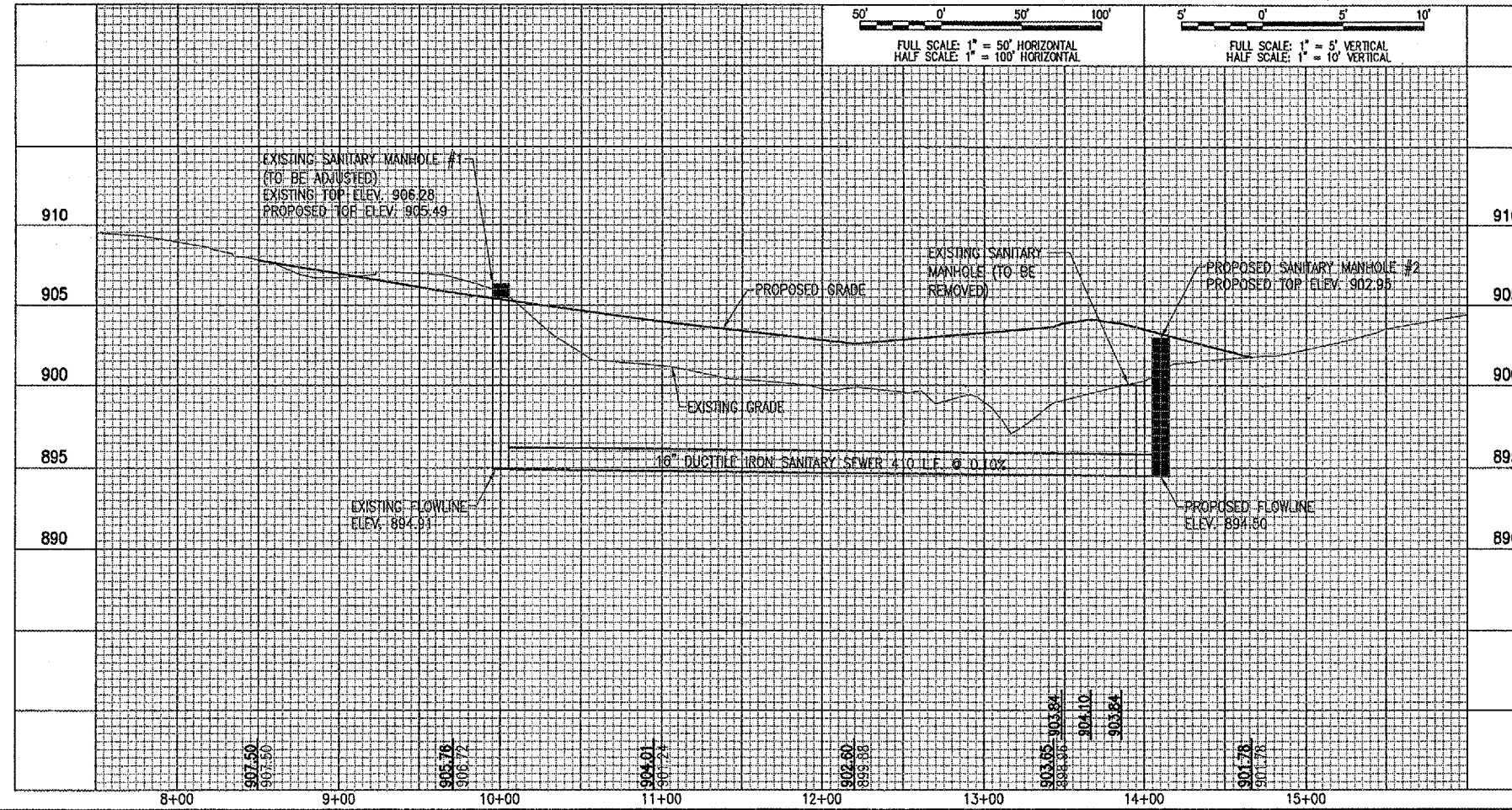
THE EXISTING 16" SANITARY SEWER PIPE WILL BE REMOVED AND THE PROPOSED 16" DUCTILE IRON SANITARY SEWER PIPE WILL BE PLACED IN THE SAME TRENCH TO THE SAME GRADE AND BACKFILL IN ACCORDANCE WITH THE SPECIFICATIONS.

THE AREAS OF PROPOSED 16" DUCTILE IRON SANITARY SEWER PIPE THAT WILL LIE UNDER PROPOSED PAVEMENT WILL BE BACKFILLED 5' BEYOND PAVEMENT EDGES TO THE EARTH SUBGRADE ELEVATION WITH POROUS BACKFILL MATERIAL.

THE POROUS BACKFILL WILL BE PLACED IN LIFTS AND COMPACTED IN ACCORDANCE WITH ITEM 701 OF THE SPECIFICATIONS AND SPECIAL PROVISIONS.



- LEGEND**
- EXISTING PAVEMENT
 - PROPOSED PAVEMENT
 - EXISTING SANITARY SEWER
 - EXISTING UNDERDRAIN
 - EXISTING STORM SEWER
 - EXISTING GAS LINE
 - EXISTING SANITARY SEWER MANHOLE
 - EXISTING STORM SEWER MANHOLE
 - EXISTING UNDERDRAIN INSPECTION HOLE
 - EXISTING STORM SEWER HEADWALL
 - PROPOSED SANITARY SEWER



BY	
REVISION	
DATE	

DIMAX
DEKALB TAYLOR MUNICIPAL AIRPORT
A.I.P. PROJ.: 3-17-0139-842
IL. PROJ.: DK8-3448

803-CSTYAD-0800
R-SANSWR-PNP-DWG
H = 1" = 50' V. 1" = 5'
Scale Date 03/09/06

LAYOUT K.D.M. 03/09/06
DRAWN B.A.K. 03/09/06
REVIEWED C.A.H. 03/16/06

HANSON
Hanson Professional Services Inc.
1525 South Sixth Street
Springfield, Illinois 62705-2885
Offices Nationwide

EXTEND TAXIWAY "A"
PROPOSED SANITARY SEWER PLAN

75
75 of 224 sheets