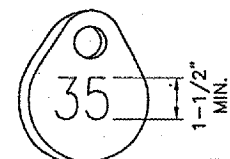
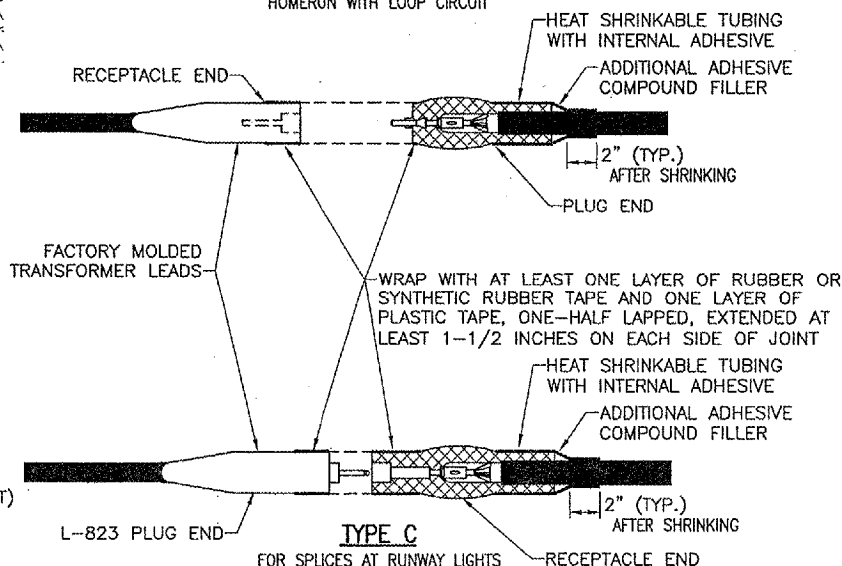
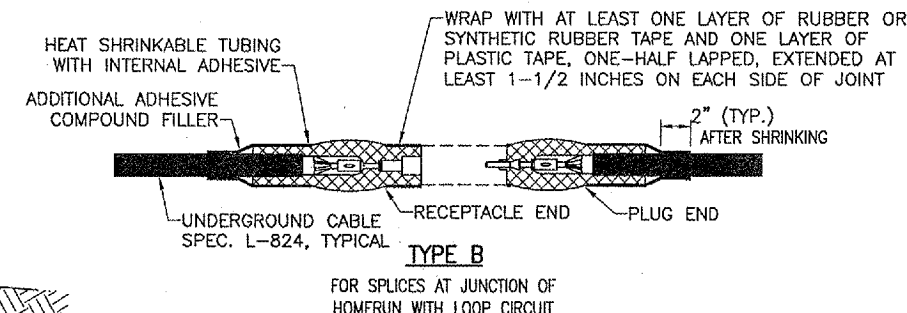
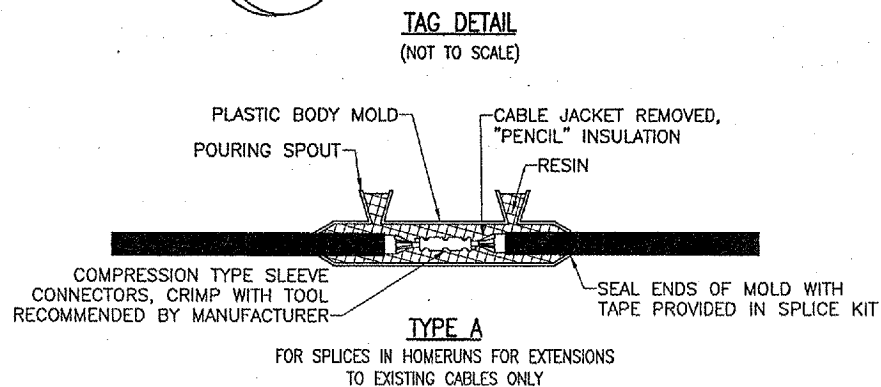


NOTES:
 DETAIL NUMBERS INDICATE NO. OF CABLES.
 TRENCHES WITH MORE THAN SEVEN CABLES SHALL BE INCREASED 3" IN WIDTH FOR EACH ADDITIONAL CABLE; IF SPECIFIED ON PLANS TWO PARALLEL TRENCHES MAY BE CONSTRUCTED.
 DEPTH OF TRENCHES SHALL BE AS SHOWN ABOVE UNLESS OTHERWISE SPECIFIED ON THE PLANS.
 ALL DISTURBED SURFACES SHALL BE RESTORED TO THEIR ORIGINAL CONDITION. COST IS INCIDENTAL TO TRENCH.

EARTH BACKFILL WILL HAVE MAXIMUM 1" SIZE PARTICLES AND WILL BE PLACED IN TWO LIFTS AS APPROXIMATELY SHOWN (TYPICAL FOR ALL TRENCHES)
 CABLES INSIDE UNIT DUCT AS SHOWN ON PROPOSED LIGHTING LAYOUT SHEET(S)

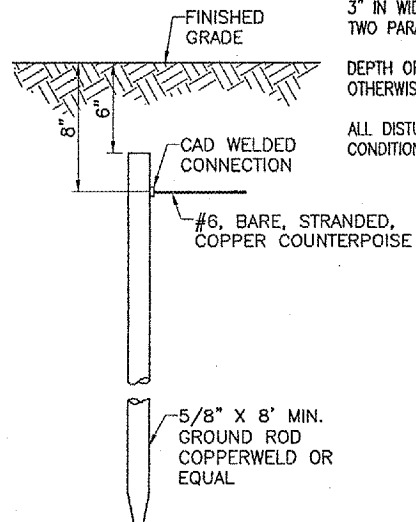


NOTE:
 AFFIX NON-CORROSIVE TAG TO FIXTURE FACING RUNWAY WITH SET SCREW, WIRE TIE, OR METAL BAND. NUMERALS SHALL BE ENGRAVED FOR PERMANENT READABILITY.



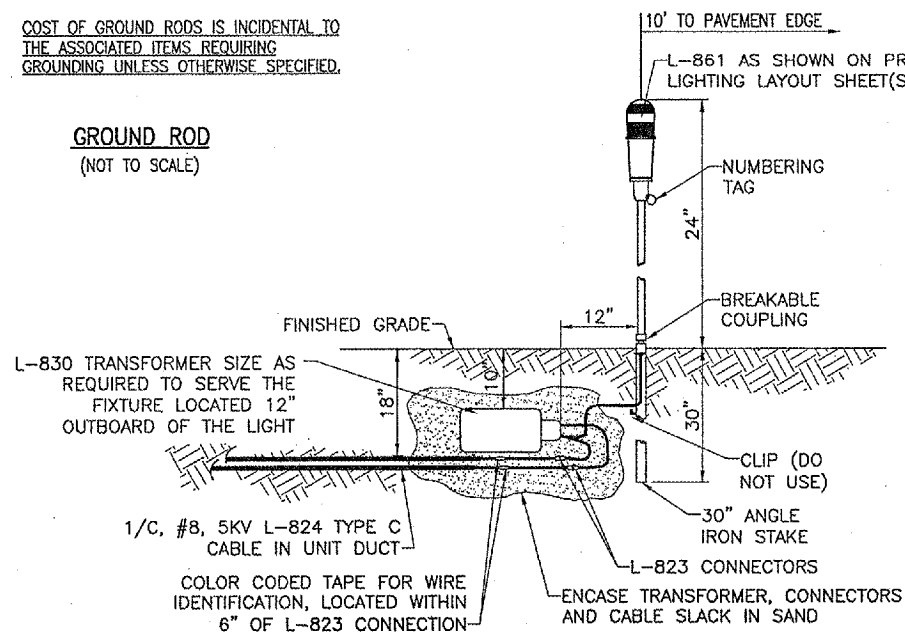
NOTES:
 SEE PROPOSED LIGHTING LAYOUT SHEET(S) FOR SPLICE TYPE.
 INSIDE DIAMETER OF CONNECTOR SHALL PROPERLY MATCH THE OUTSIDE DIAMETER OF CABLE.

CABLE SPLICES
 (NOT TO SCALE)

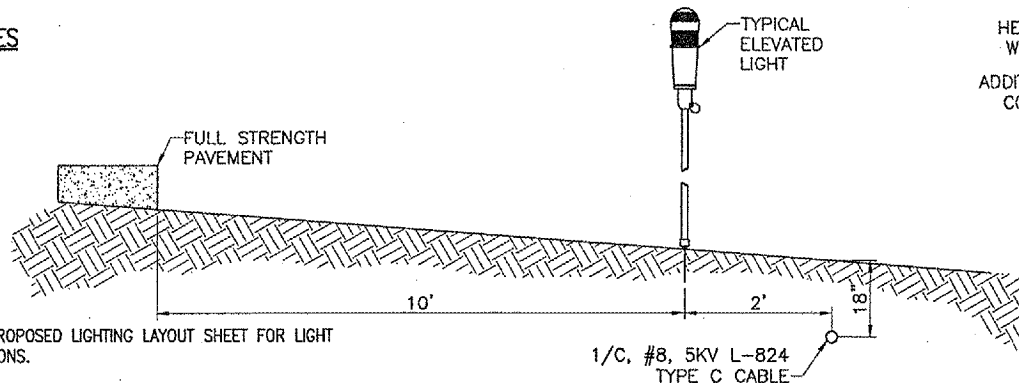


NOTES:
 TYPE AND MINIMUM NUMBER OF GROUND RODS SHALL BE AS SPECIFIED ON THE PLAN.
 THE RESISTANCE TO GROUND OF THE COUNTERPOISE GROUNDING SYSTEM SHALL NOT EXCEED 25 OHMS.
 COST OF GROUND RODS IS INCIDENTAL TO THE ASSOCIATED ITEMS REQUIRING GROUNDING UNLESS OTHERWISE SPECIFIED.

GROUND ROD
 (NOT TO SCALE)

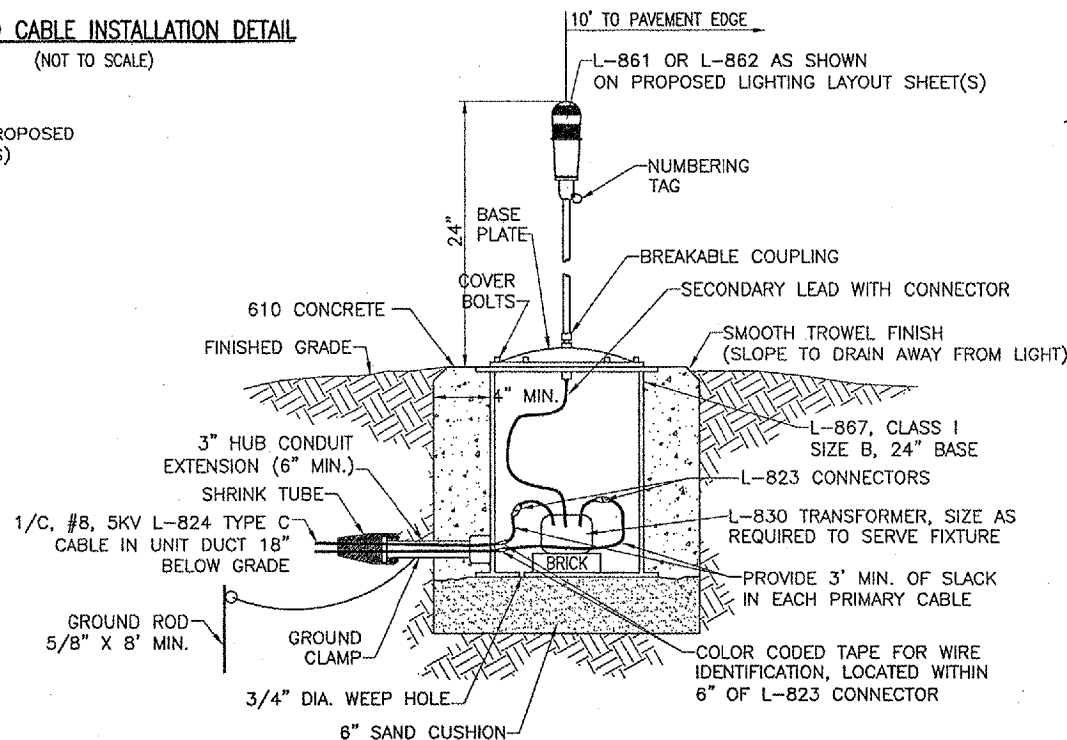


MEDIUM INTENSITY LIGHT - STAKE MOUNTED
 (NOT TO SCALE)



NOTES:
 SEE PROPOSED LIGHTING LAYOUT SHEET FOR LIGHT LOCATIONS.

PROFILE VIEW



MEDIUM/HIGH INTENSITY LIGHT - BASE MOUNTED
 (NOT TO SCALE)

BY	
REVISION	
DATE	

DIMA
 DEKALB TAYLOR MUNICIPAL AIRPORT

Proj. No.	80305TXAD 0800
Revision	R-544ELE.DWG
Scale	N/A
Date	01/14/03
LAYOUT	CAH 01/14/03
DRAWN	MDR 01/14/04
REVIEWED	CAH 03/06/06

HANSON
 Hanson Professional Services Inc.
 1025 South State Street
 Springfield, MA 01103

DEKALB AIRPORT IMPROVEMENTS
 PROPOSED ELECTRICAL DETAILS

APR 11, 2006 8:43 AM BAK F:\AIRPORTS\DEKALB\B03-05\TYA\AIRPORT\SHEETS\GENERAL\R-544ELE.DWG