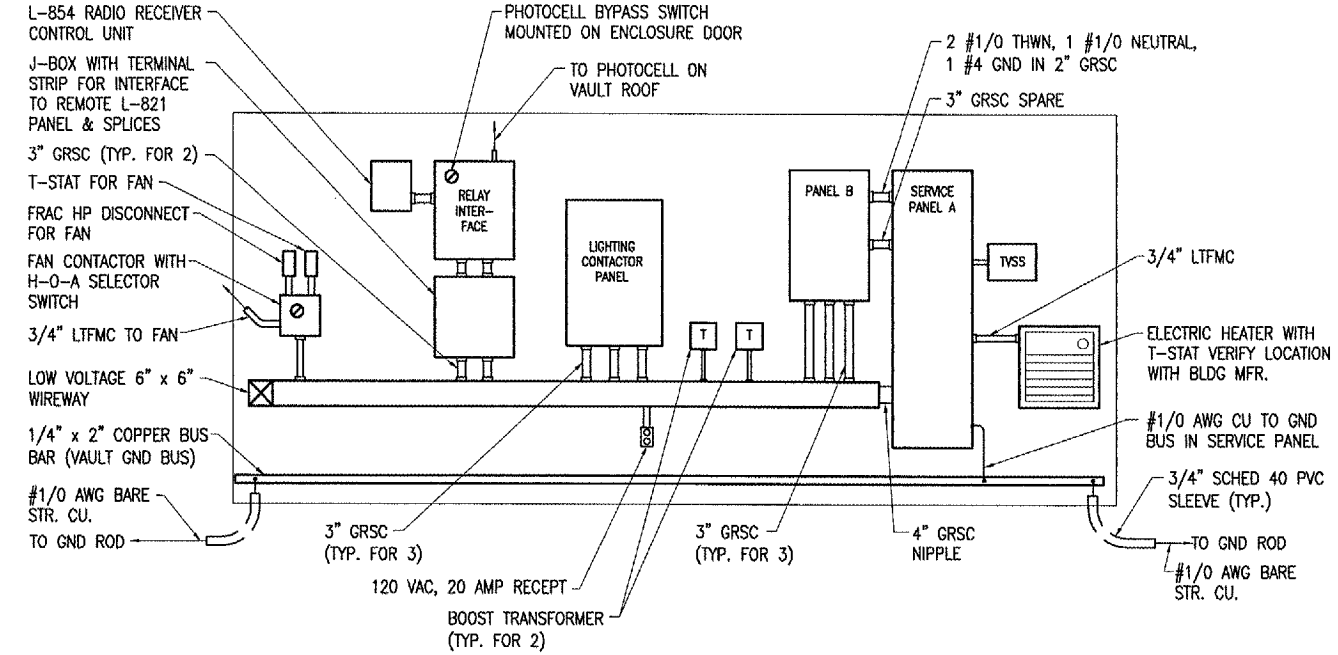


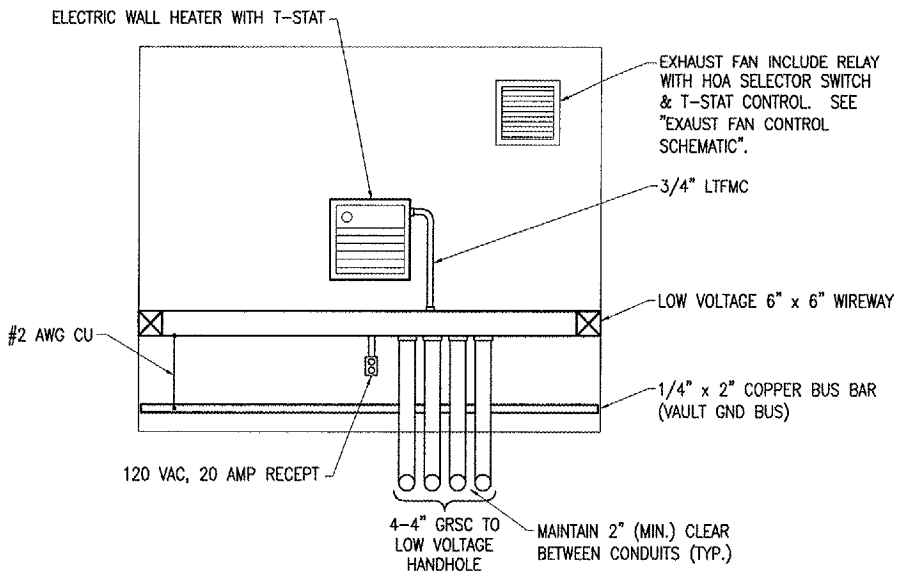
VAULT NORTH WALL ELEVATION

SCALE 1/2"=1'-0"
 1 0 2 4 FEET



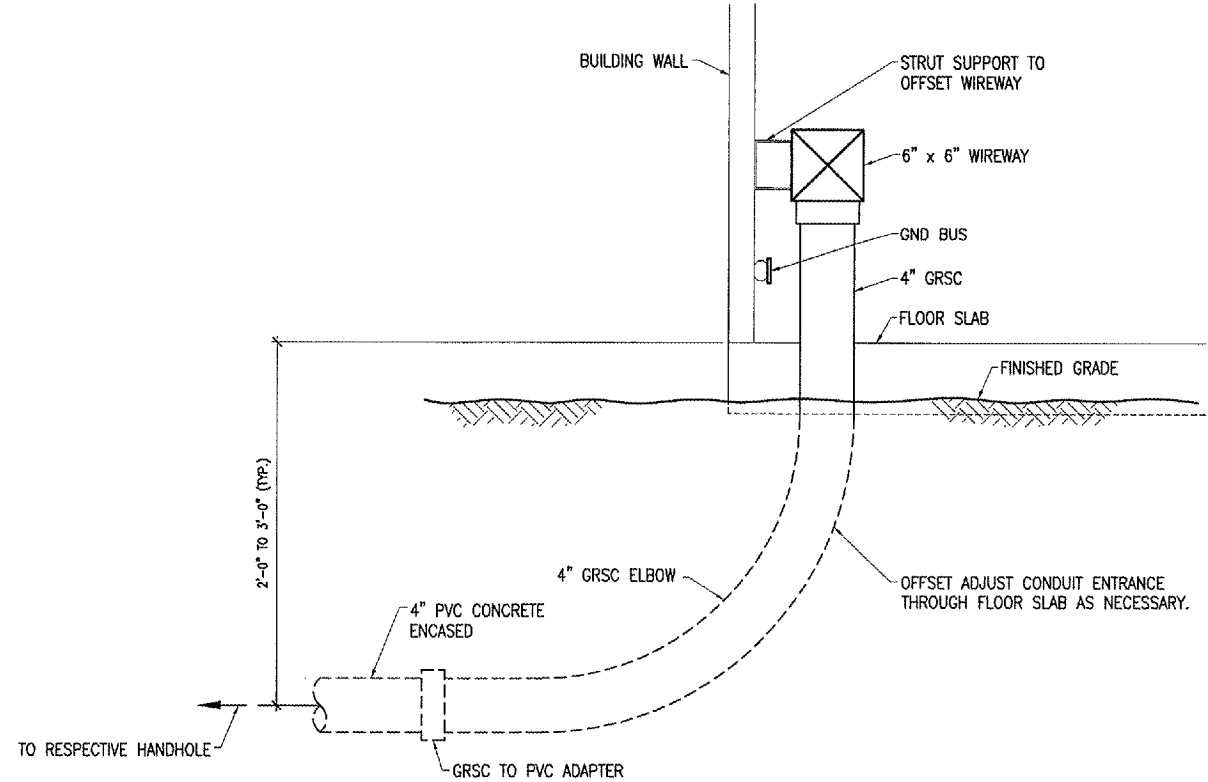
VAULT SOUTH WALL ELEVATION

SCALE 1/2"=1'-0"
 1 0 2 4 FEET



VAULT EAST WALL ELEVATION

SCALE 1/2"=1'-0"
 1 0 2 4 FEET



CONDUIT ENTRANCE DETAIL

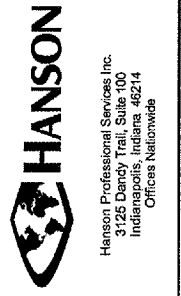
SCALE 1 1/2"=1'-0"
 0.5 0 1 2 FEET

DATE	REVISION	BY

Kewanee Municipal Airport
 Kewanee, Henry County, Illinois

IL. PROJ.: E21-3586 A.I.P. PROJ.: 3-17-0058-812

ME Project No. 810-06/LTD	
Estimate E-201/DWG	
Scale 1/2"=1'-0"	
Date 04/28/06	
LAYOUT KNI 09/26/05	
DRAWN MV 09/26/05	
REVIEWED LDP 01/17/06	



CONSTRUCT VAULT
 PROPOSED
 AIRPORT ELECTRICAL VAULT
 WALL ELEVATIONS